

BNO055

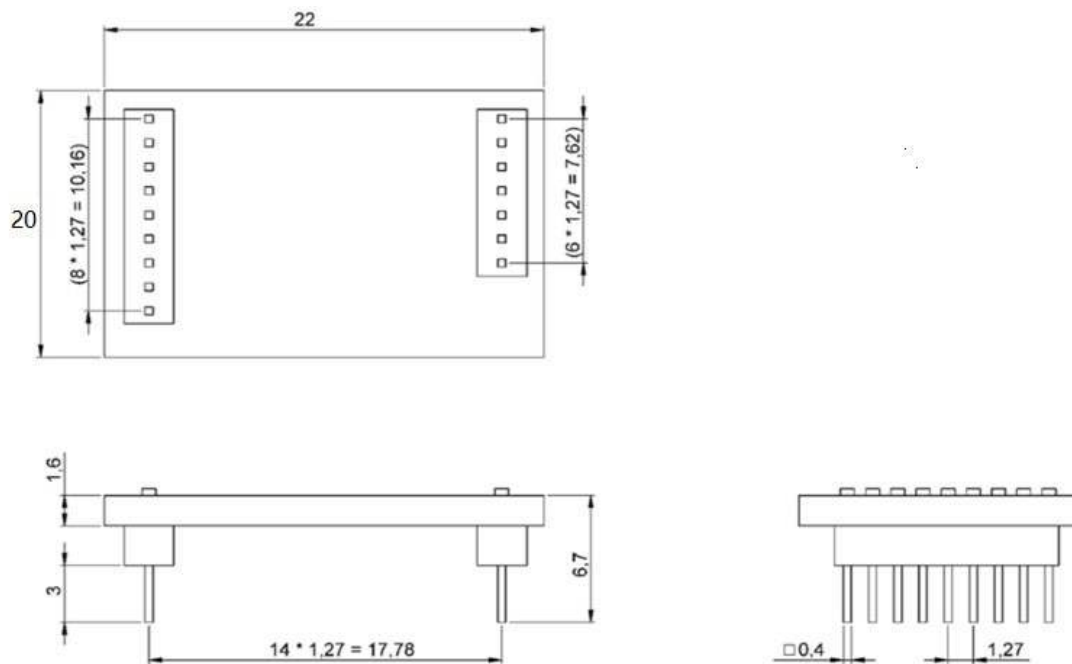
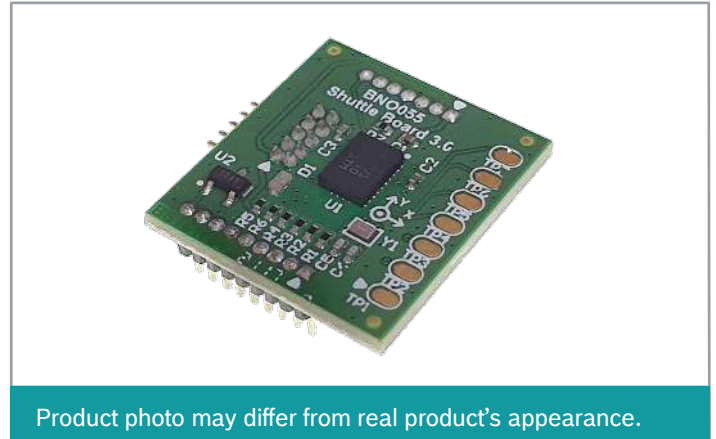
Shuttle board 3.0 flyer

GENERAL DESCRIPTION

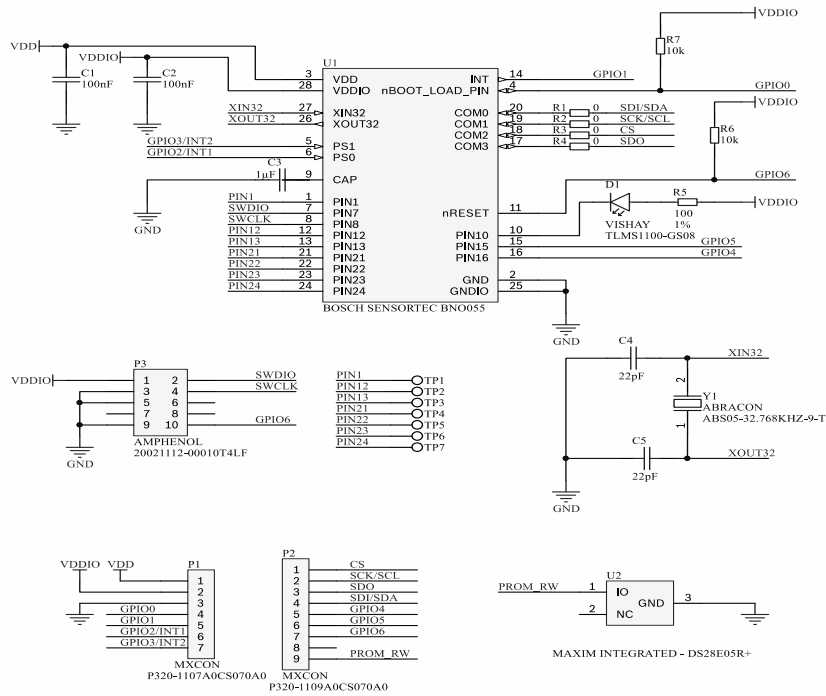
The Bosch Sensortec BNO055 shuttle board 3.0 is a PCB with a BNO055 Absolute Orientation Sensor mounted on it. In combination with the application board 3.0, the shuttle board can be used to evaluate various functionalities provided on BNO055. The shuttle board allows easy access to the sensor pins via a simple socket. The shuttle board includes following major components:

- ▶ BNO055 smart sensor
- ▶ 10-pin SWD connector
- ▶ On-board EEPROM

The shuttle board version 3.0 can be directly plugged into Bosch Sensortec's application board 3.0.



Shuttle board outline dimensions (all dimensions in mm)



BNO055 shuttle board electrical layout

DESIGNATOR P1 SHUTTLE BOARD CONNECTOR

Pin	Pin name	Description
1	VDD	Analog power supply voltage (2.4V ... 3.6V)
2	VDDIO	Digital I/O power supply voltage (1.7V ... 3.6V)
3	GND	Ground
4	GPIO0	Bootloader mode select pin
5	GPIO1	Interrupt
6	GPIO2/INT1	PS0 (Protocol select pin2)
7	GPIO3/INT2	PS1 (Protocol select pin1)

Shuttle board identification:

- ▶ Shuttle ID: 000011001
- ▶ Shuttle board identifier: BST01084

DESIGNATOR P2 SHUTTLE BOARD CONNECTOR

Pin	Pin name	Description
1	CS	Connect to COM2
2	SCK/SCL	Connect to COM1(I2C/HID-I2C SCL, UART RX)
3	SDO	Connect to COM3(I2C address select, GND for UART and HID-I2C)
4	SDI/SDA	Connect to COM0(I2C/HID-I2C SDA, UART TX)
5	GPIO4	Connect to pin16
6	GPIO5	Connect to pin15
7	GPIO6	Reset pin
8	NC	
9	PROM_RW	Connect to EEPROM

Headquarters

Bosch Sensortec GmbH

Gerhard-Kindler-Strasse 9
 72770 Reutlingen · Germany
 Telephone +49 7121 3535 900
 Fax +49 7121 3535 909

www.bosch-sensortec.com