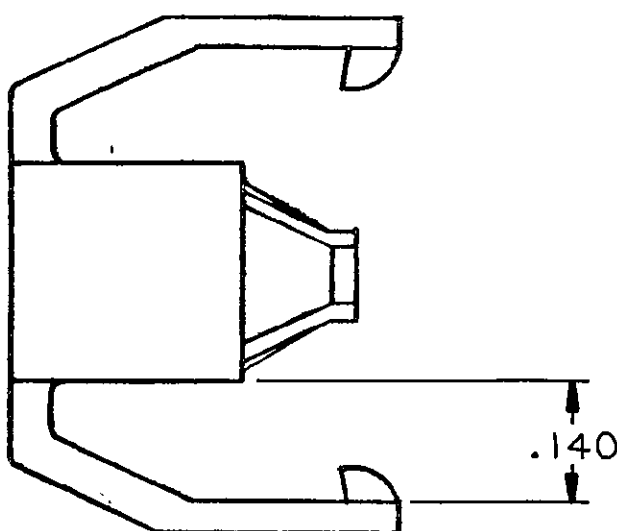
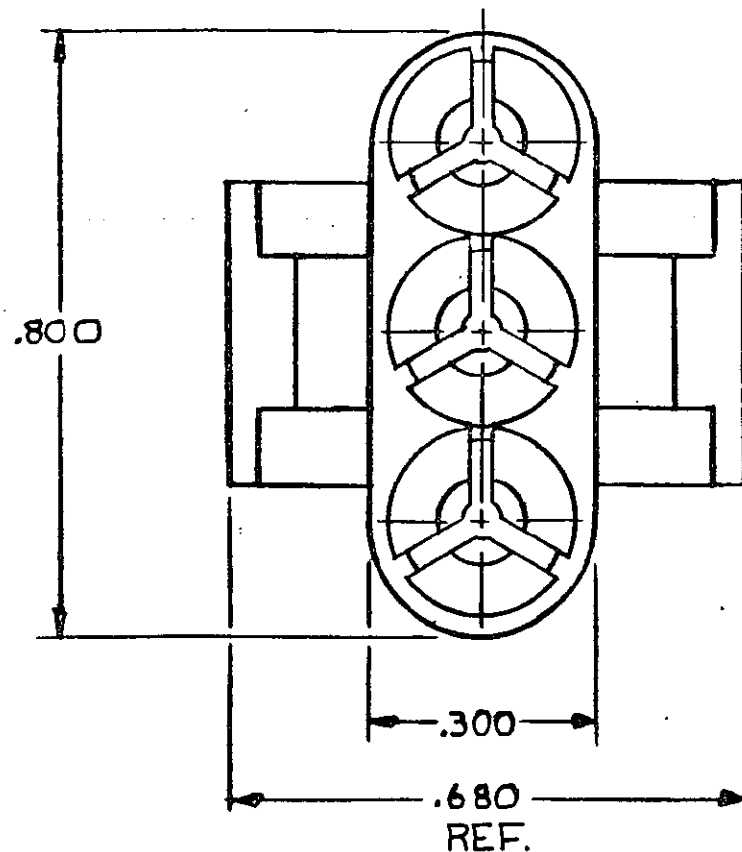
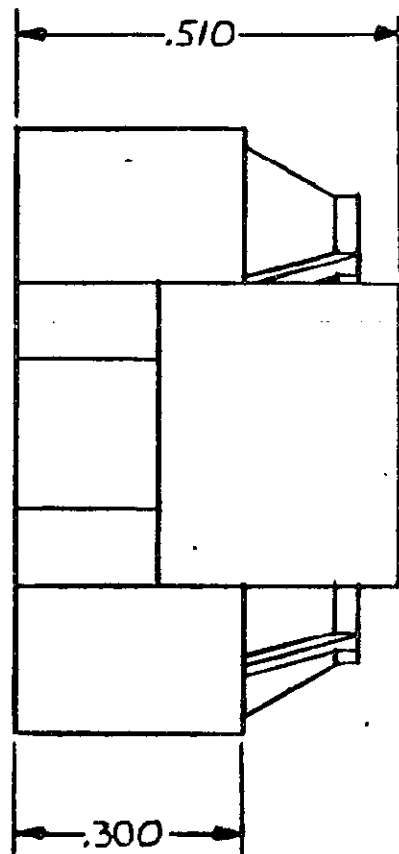


| REVISIONS | | | | | | |
|-----------|---|------|-----|-------------------------|---------|----------|
| P | F | ZONE | LTR | DESCRIPTION | DATE | APPROVED |
| | | | E | REVISED PER CM 2704 | 1-30-90 | JB / RS |
| | | | F | REV PER EC 0730-0054-95 | 3-30-95 | JH / RS |
| | | | | | | |
| | | | | | | |



- ASSEMBLY INSTRUCTIONS:
SNAP MODULE ONTO HOUSING,
FULLY INSERT CONTACTS THRU MODULE AND INTO HOUSING, (NOTE: SEVERAL CLICKS CAN BE HEARD AS THE CONTACT IS PUSHED IN PLACE),
DISENGAGE LATCHES ON MODULE AND SLIDE BACK FROM END OF HOUSING,
CHECK FOR ANY CONTACTS NOT FULLY INSERTED INTO HOUSING; INSERT ANY CONTACTS NOT LOCKED IN HOUSING,
PUSH MODULE BACK AGAINST HOUSING UNTIL LATCHES ARE ENGAGED.
- MODULE WILL ACCEPT MAXIMUM WIRE OUTSIDE DIA. OF .160.

643251-1

PART NO

| | | | | | |
|--|--|-----------------------------|--|--|-------------------------|
| UNLESS OTHERWISE SPECIFIED DIMENSIONS ARE IN INCHES. TOLERANCES ON: DECIMALS ± .015 ANGLES ± | | CONTRACT NO | | AMP AMP INCORPORATED Harrisburg, Pa. | |
| MATERIAL NYLON 94V-0 | | DR <i>m. Fehan</i> 7-13-82 | | | |
| FINISH | | CHK <i>C. High</i> 7-23-82 | | NAME ASSEMBLY MODULE, UNIVERSAL MATE-N-LOK™, 3 CIRCUIT | |
| | | APPD <i>C. High</i> 7-26-82 | | SIZE B | FSCM NO 00779 |
| | | DSGN APPD | | DRAWING NO 643251 | |
| | | OTHER APPD | | SCALE 4-1 | |
| | | | | SHEET | |