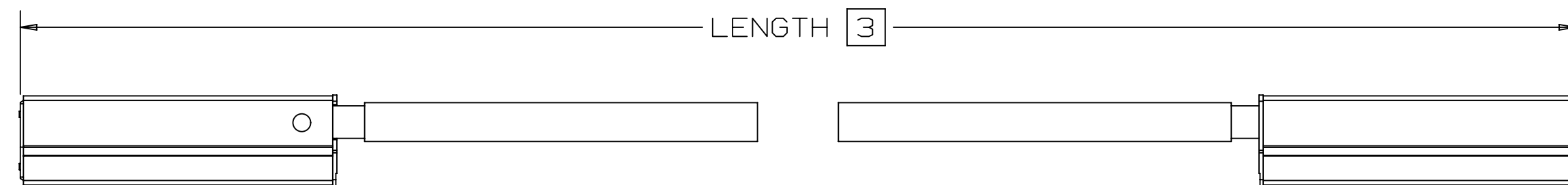
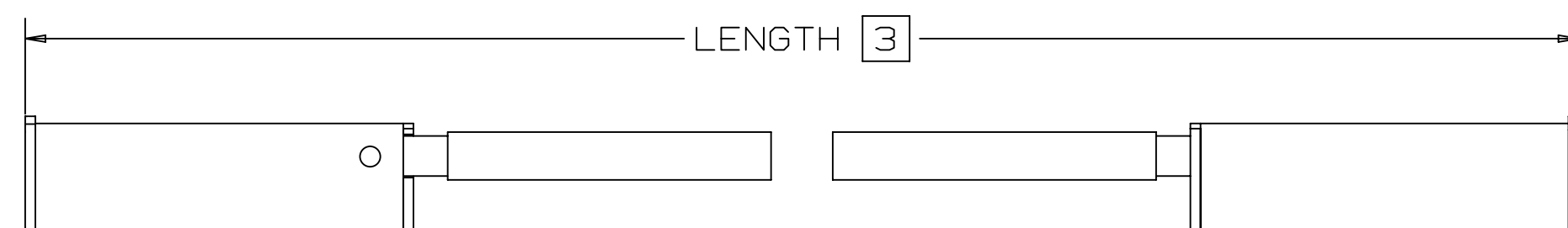


3M™ SHIELDED CONTROLLED IMPEDANCE (SCI) CABLE ASSEMBLIES, .100" SERIES  
 DUAL ROW .100" SCI CARRIER, .100" PIN STRIP WITH LATCH, COAX CABLE

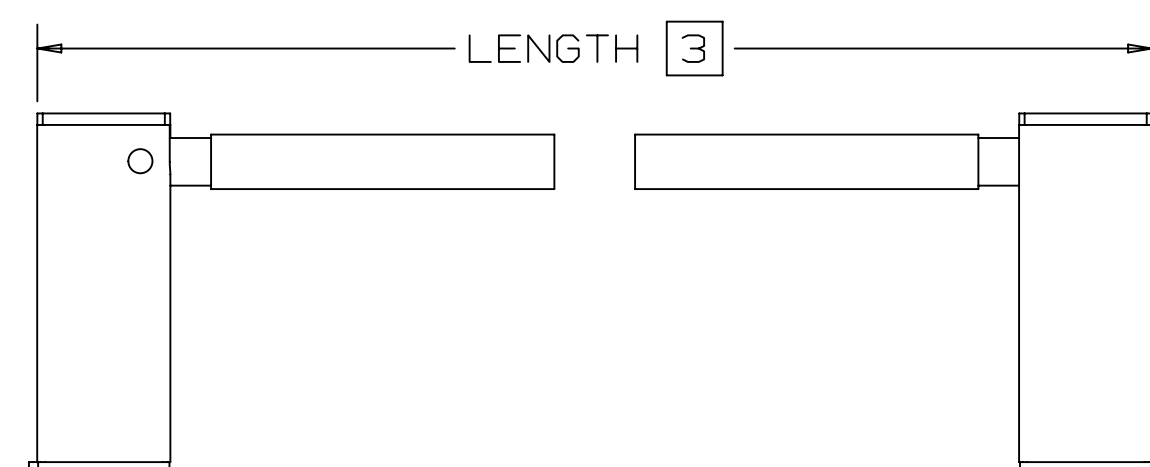
CARRIER VERSION, CONNECTOR TYPE #24



STAND ALONE VERSION, CONNECTOR TYPE #23



RIGHT ANGLE VERSION, CONNECTOR TYPE #22



NOTE:  
 1. ANY VERSION CONNECTOR TYPE  
 CAN BE ON THE SAME CABLE ASSEMBLY.

- \* .100 INCH (2.54MM) CENTER SPACING.
- \* MATES WITH STANDARD 3M™ TWO-PIN HEADERS.
- \* SUPPLIED AS A COMPLETE ASSEMBLY.

STAND-ALONE VERSION:  
 \* AVAILABLE IN RIGHT ANGLE AND STRAIGHT CONFIGURATIONS WITH OPTIONAL POLARIZATION FEATURE.  
 \* RIGHT ANGLE CONNECTOR HAS OPTIONAL TWO-PIN HEADER LATCH.

CARRIER VERSION:  
 \* AVAILABLE ONLY IN STRAIGHT CONFIGURATION DESIGNED FOR USE WITH THE 3M™ SCI CARRIER SYSTEM.

**2** PHYSICAL :

(CONNECTOR INSULATION) MATERIAL: THERMOPLASTIC  
 FLAMMABILITY: UL94V-0  
 (CONNECTOR CONTACT) MATERIAL: COPPER ALLOY  
 PLATING: 50/50μ" Au/Ni (1.27/1.27μm Au/Ni)  
 (CONNECTOR SHIELDBOX) MATERIAL: COPPER ALLOY  
 PLATING: SOLDERABLE NICKEL.

**2** ELECTRICAL :

CURRENT RATING: 1A  
 INSULATION RESISTANCE: >5 X 10<sup>9</sup>Ω  
 WITHSTANDING VOLTAGE: 500 V<sub>AC</sub>  
 CHARACTERISTIC IMPEDANCE: SEE CABLE TYPES.

**2** MECHANICAL :

CENTER SPACING: .100" (2.54mm)  
 MATING PIN DIMENSIONS: .024" MIN./ .026" MAX. (0.61mm/0.665mm)  
 MATING PIN LENGTH 22, 23: .23" NOM. (5.08mm);  
 24: .21" NOM. (5.02mm).  
 CONTACT MATING POINT 22, 23: .13" (3.40mm);  
 24: .10" (2.60mm).  
 CONNECTOR INSERTION FORCE: 2.3N MAX. (PIN: .025" (0.63mm).  
 CONNECTOR WITHDRAWAL FORCE: 1.3N TYPICAL (PIN: .025" (0.63mm).  
 CABLE RETENTION FORCE: 50N MIN.  
 DURABILITY (INSERTION/WITHDRAWAL): 500 CYCLES.

**2** ENVIRONMENTAL :

TEMPERATURE RATING: 22, 23: -55°C TO +105°C;  
 24: -55°C TO +125°C

NOTES

- REGULATORY INFORMATION:  
 VISIT 3M.com/regs
- IN THE EVENT OF CONFLICT BETWEEN THIS DATA AND THAT CONTAINED IN THE PRODUCT SPECIFICATION, THE PRODUCT SPECIFICATION TAKES PRECEDENT.
- ASSEMBLY TOLERANCES:  
 <10" : ±.25"  
 10" TO 36" : ±.50"  
 36" TO 120" : ±1"  
 >120" : ±2"  
 MINIMUM LENGTH: 4.3"

ORDERING INFORMATION

CABLE ASSEMBLY-INDIVIDUAL LINES

98XXXX-XXX-XXX.X-X X X

LEFT CONNECTOR TYPE/RIGHT CONNECTOR TYPE:  
 22 = RIGHT ANGLE, NONPOLARIZED  
 23 = STRAIGHT, NONPOLARIZED  
 24 = CARRIER VERSION, STRAIGHT

CABLE TYPE:  
 017 = 50Ω  
 027 = 50Ω LOW CAPACITANCE  
 041 = 75Ω  
 XXX = FOR OTHER CABLE OPTIONS  
 CONTACT 3M (IF NON STANDARD)

LENGTH (IN INCHES):

USA AND CANADIAN CERTIFICATION:  
 Y = YES  
 N = NO

GROUND PATTERN:  
 S = SIGNAL AS INDICATED ON CONNECTOR DWG  
 Z = CUSTOMER SPECIAL GROUND PATTERN (CONSULT 3M)

HARNESSING  
 A = MULTIPLE ASS'S HARNESSSED  
 0 = SINGLE ASS'Y ONLY

3M ELECTRONICS MATERIALS SOLUTIONS DIVISION  
 INTERCONNECT SOLUTIONS  
<http://www.3M.com/interconnect>

3M IS A TRADEMARK OF 3M COMPANY.  
 FOR TECHNICAL, SALES OR ORDERING  
 INFORMATION CALL 800-225-5373

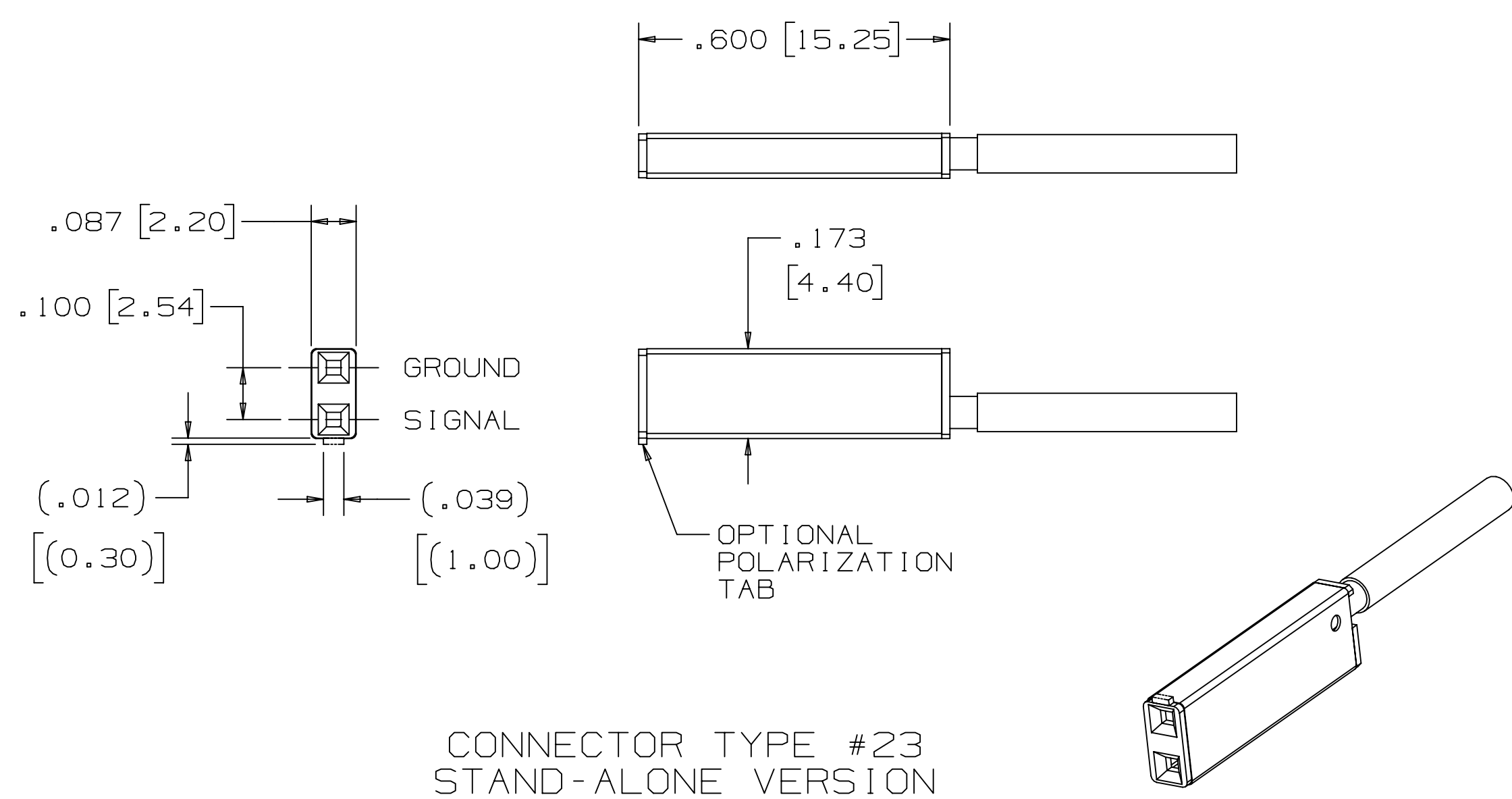
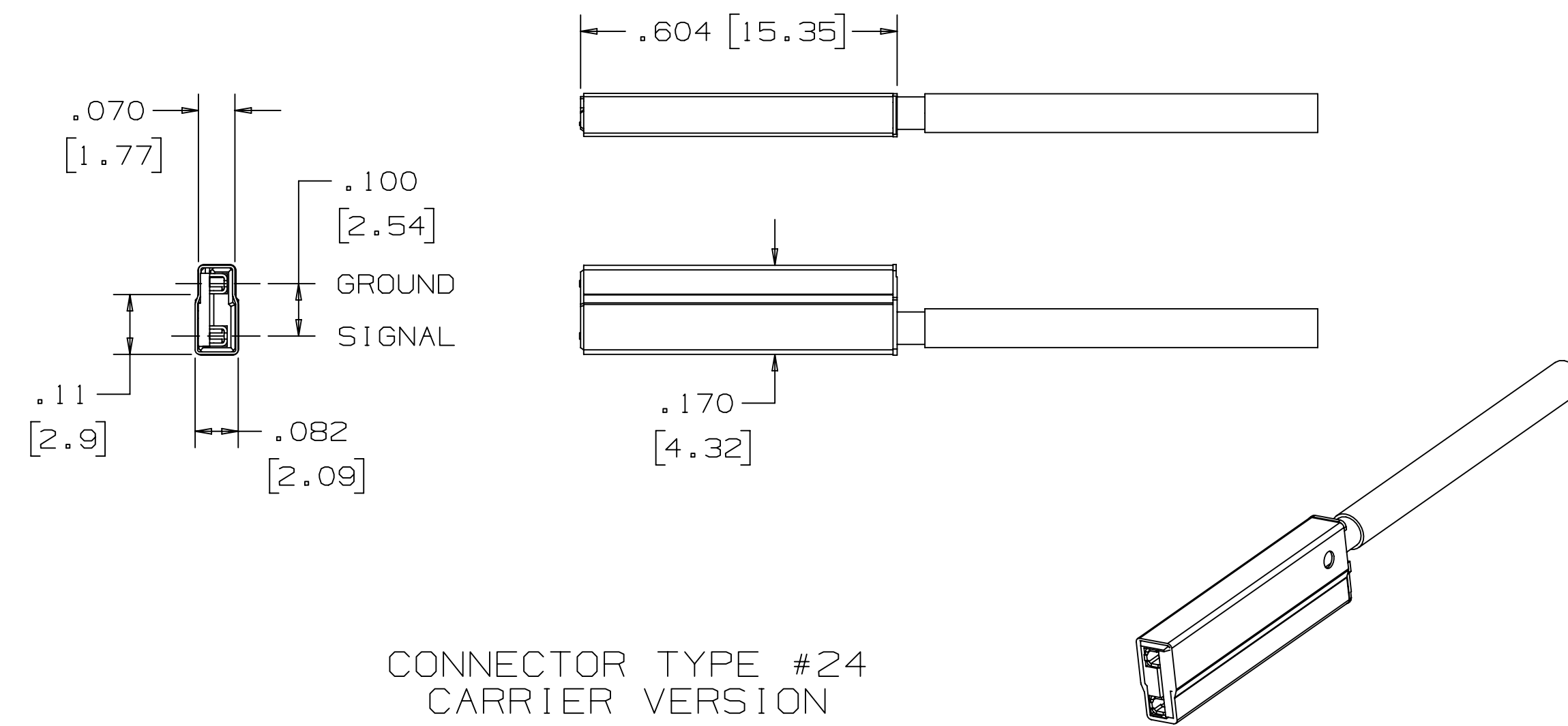
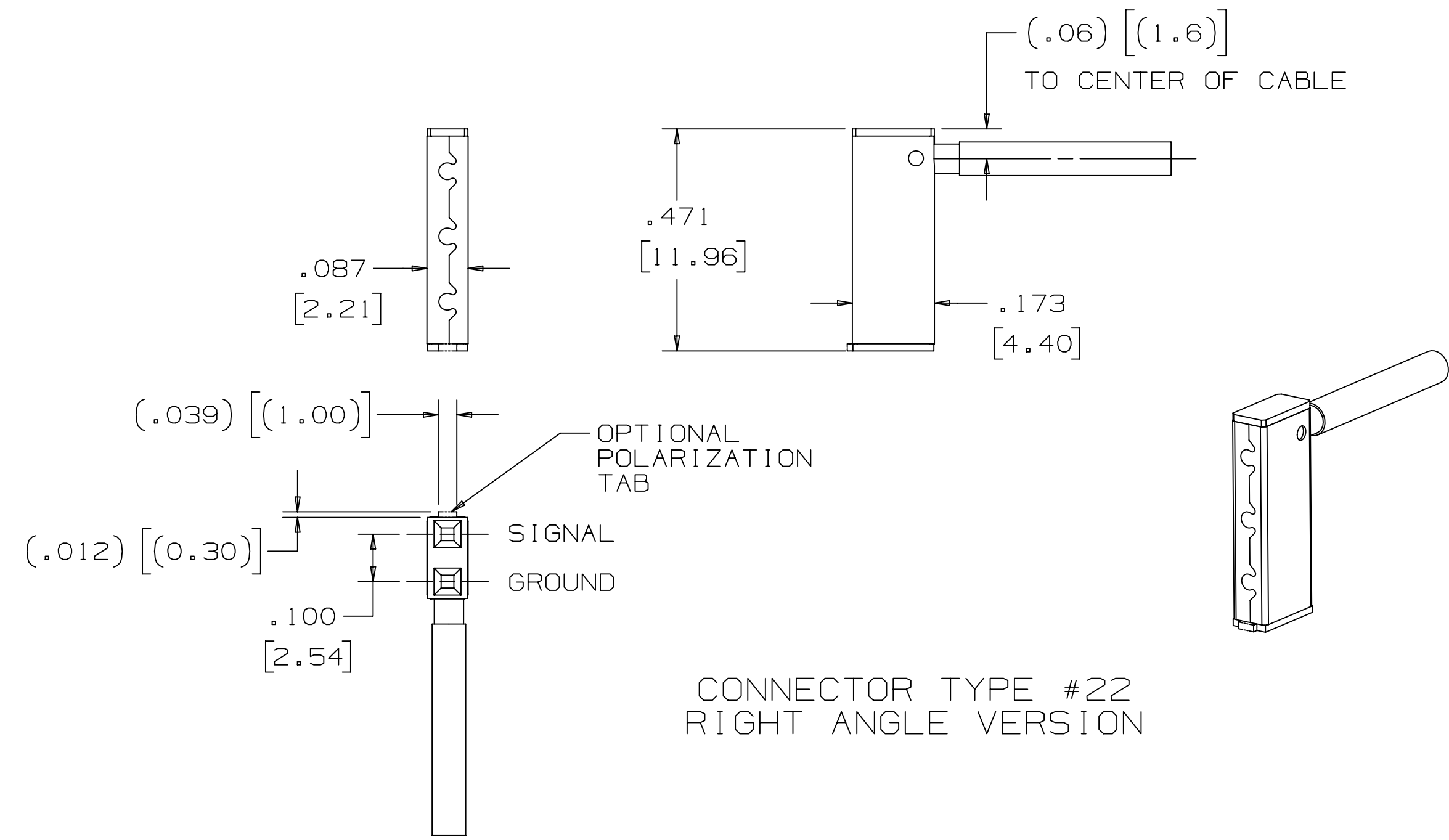


UL FILE NO: E86982 (OPTIONAL)

DIMENSIONS: INCHES [ MM ]  
 [ MM ] IS FOR REF. ONLY

DESIGN REFERENCE	NEXT ASSEMBLY	REV	ECO	ISSUE DATE AND DESCRIPTION	DRFT	CHKD
DO NOT SCALE DRAWING	SCALE 4/1	TOLERANCES EXCEPT AS NOTED		INCHES .01 ±.01 .000 ±.005 .0000 ±.0005 MILLIMETERS 0 ± .0 ± .00 ± .000 ± ANGLES ±		
THIRD ANGLE PROJECTION	INTERPRET PER ASME Y14.5 - 2018	MAX SURFACE ROUGHNESS ALL SURFACES		INTERPRET PER ASME Y14.5 - 2018 .0 ± .00 ± .000 ± ANGLES ±		
		DIVISION CODE EMSD		DIVISION EMSD		
		DO NOT SCALE DRAWING		TOLERANCES EXCEPT AS NOTED		
		THIRD ANGLE PROJECTION		INTERPRET PER ASME Y14.5 - 2018		
		MAX SURFACE ROUGHNESS ALL SURFACES		INTERPRET PER ASME Y14.5 - 2018		
		DIVISION CODE EMSD		DIVISION EMSD		
		DO NOT SCALE DRAWING		TOLERANCES EXCEPT AS NOTED		
		THIRD ANGLE PROJECTION		INTERPRET PER ASME Y14.5 - 2018		
		MAX SURFACE ROUGHNESS ALL SURFACES		INTERPRET PER ASME Y14.5 - 2018		
		DIVISION CODE EMSD		DIVISION EMSD		
		DO NOT SCALE DRAWING		TOLERANCES EXCEPT AS NOTED		
		THIRD ANGLE PROJECTION		INTERPRET PER ASME Y14.5 - 2018		
		MAX SURFACE ROUGHNESS ALL SURFACES		INTERPRET PER ASME Y14.5 - 2018		
		DIVISION CODE EMSD		DIVISION EMSD		
		DO NOT SCALE DRAWING		TOLERANCES EXCEPT AS NOTED		
		THIRD ANGLE PROJECTION		INTERPRET PER ASME Y14.5 - 2018		
		MAX SURFACE ROUGHNESS ALL SURFACES		INTERPRET PER ASME Y14.5 - 2018		
		DIVISION CODE EMSD		DIVISION EMSD		
		DO NOT SCALE DRAWING		TOLERANCES EXCEPT AS NOTED		
		THIRD ANGLE PROJECTION		INTERPRET PER ASME Y14.5 - 2018		
		MAX SURFACE ROUGHNESS ALL SURFACES		INTERPRET PER ASME Y14.5 - 2018		
		DIVISION CODE EMSD		DIVISION EMSD		
		DO NOT SCALE DRAWING		TOLERANCES EXCEPT AS NOTED		
		THIRD ANGLE PROJECTION		INTERPRET PER ASME Y14.5 - 2018		
		MAX SURFACE ROUGHNESS ALL SURFACES		INTERPRET PER ASME Y14.5 - 2018		
		DIVISION CODE EMSD		DIVISION EMSD		
		DO NOT SCALE DRAWING		TOLERANCES EXCEPT AS NOTED		
		THIRD ANGLE PROJECTION		INTERPRET PER ASME Y14.5 - 2018		
		MAX SURFACE ROUGHNESS ALL SURFACES		INTERPRET PER ASME Y14.5 - 2018		
		DIVISION CODE EMSD		DIVISION EMSD		
		DO NOT SCALE DRAWING		TOLERANCES EXCEPT AS NOTED		
		THIRD ANGLE PROJECTION		INTERPRET PER ASME Y14.5 - 2018		
		MAX SURFACE ROUGHNESS ALL SURFACES		INTERPRET PER ASME Y14.5 - 2018		
		DIVISION CODE EMSD		DIVISION EMSD		
		DO NOT SCALE DRAWING		TOLERANCES EXCEPT AS NOTED		
		THIRD ANGLE PROJECTION		INTERPRET PER ASME Y14.5 - 2018		
		MAX SURFACE ROUGHNESS ALL SURFACES		INTERPRET PER ASME Y14.5 - 2018		
		DIVISION CODE EMSD		DIVISION EMSD		
		DO NOT SCALE DRAWING		TOLERANCES EXCEPT AS NOTED		
		THIRD ANGLE PROJECTION		INTERPRET PER ASME Y14.5 - 2018		
		MAX SURFACE ROUGHNESS ALL SURFACES		INTERPRET PER ASME Y14.5 - 2018		
		DIVISION CODE EMSD		DIVISION EMSD		
		DO NOT SCALE DRAWING		TOLERANCES EXCEPT AS NOTED		
		THIRD ANGLE PROJECTION		INTERPRET PER ASME Y14.5 - 2018		
		MAX SURFACE ROUGHNESS ALL SURFACES		INTERPRET PER ASME Y14.5 - 2018		
		DIVISION CODE EMSD		DIVISION EMSD		
		DO NOT SCALE DRAWING		TOLERANCES EXCEPT AS NOTED		
		THIRD ANGLE PROJECTION		INTERPRET PER ASME Y14.5 - 2018		
		MAX SURFACE ROUGHNESS ALL SURFACES		INTERPRET PER ASME Y14.5 - 2018		
		DIVISION CODE EMSD		DIVISION EMSD		
		DO NOT SCALE DRAWING		TOLERANCES EXCEPT AS NOTED		
		THIRD ANGLE PROJECTION		INTERPRET PER ASME Y14.5 - 2018		
		MAX SURFACE ROUGHNESS ALL SURFACES		INTERPRET PER ASME Y14.5 - 2018		
		DIVISION CODE EMSD		DIVISION EMSD		
		DO NOT SCALE DRAWING		TOLERANCES EXCEPT AS NOTED		
		THIRD ANGLE PROJECTION		INTERPRET PER ASME Y14.5 - 2018		
		MAX SURFACE ROUGHNESS ALL SURFACES		INTERPRET PER ASME Y14.5 - 2018		
		DIVISION CODE EMSD		DIVISION EMSD		
		DO NOT SCALE DRAWING		TOLERANCES EXCEPT AS NOTED		
		THIRD ANGLE PROJECTION		INTERPRET PER ASME Y14.5 - 2018		
		MAX SURFACE ROUGHNESS ALL SURFACES		INTERPRET PER ASME Y14.5 - 2018		
		DIVISION CODE EMSD		DIVISION EMSD		
		DO NOT SCALE DRAWING		TOLERANCES EXCEPT AS NOTED		
		THIRD ANGLE PROJECTION		INTERPRET PER ASME Y14.5 - 2018		
		MAX SURFACE ROUGHNESS ALL SURFACES		INTERPRET PER ASME Y14.5 - 2018		
		DIVISION CODE EMSD		DIVISION EMSD		
		DO NOT SCALE DRAWING		TOLERANCES EXCEPT AS NOTED		
		THIRD ANGLE PROJECTION		INTERPRET PER ASME Y14.5 - 2018		
		MAX SURFACE ROUGHNESS ALL SURFACES		INTERPRET PER ASME Y14.5 - 2018		
		DIVISION CODE EMSD		DIVISION EMSD		
		DO NOT SCALE DRAWING		TOLERANCES EXCEPT AS NOTED		
		THIRD ANGLE PROJECTION		INTERPRET PER ASME Y14.5 - 2018		
		MAX SURFACE ROUGHNESS ALL SURFACES		INTERPRET PER ASME Y14.5 - 2018		
		DIVISION CODE EMSD		DIVISION EMSD		
		DO NOT SCALE DRAWING		TOLERANCES EXCEPT AS NOTED		
		THIRD ANGLE PROJECTION		INTERPRET PER ASME Y14.5 - 2018		
		MAX SURFACE ROUGHNESS ALL SURFACES		INTERPRET PER ASME Y14.5 - 2018		
		DIVISION CODE EMSD		DIVISION EMSD		
		DO NOT SCALE DRAWING		TOLERANCES EXCEPT AS NOTED		
		THIRD ANGLE PROJECTION		INTERPRET PER ASME Y14.5 - 2018		
		MAX SURFACE ROUGHNESS ALL SURFACES		INTERPRET PER ASME Y14.5 - 2018		
		DIVISION CODE EMSD		DIVISION EMSD		
		DO NOT SCALE DRAWING		TOLERANCES EXCEPT AS NOTED		
		THIRD ANGLE PROJECTION		INTERPRET PER ASME Y14.5 - 2018		
		MAX SURFACE ROUGHNESS ALL SURFACES		INTERPRET PER ASME Y14.5 - 2018		
		DIVISION CODE EMSD		DIVISION EMSD		
		DO NOT SCALE DRAWING		TOLERANCES EXCEPT AS NOTED		
		THIRD ANGLE PROJECTION		INTERPRET PER ASME Y14.5 - 2018		
		MAX SURFACE ROUGHNESS ALL SURFACES		INTERPRET PER ASME Y14.5 - 2018		
		DIVISION CODE EMSD		DIVISION EMSD		
		DO NOT SCALE DRAWING		TOLERANCES EXCEPT AS NOTED		
		THIRD ANGLE PROJECTION		INTERPRET PER ASME Y14.5 - 2018		
		MAX SURFACE ROUGHNESS ALL SURFACES		INTERPRET PER ASME Y14.5 - 2018		
		DIVISION CODE EMSD		DIVISION EMSD		
		DO NOT SCALE DRAWING		TOLERANCES EXCEPT AS NOTED		
		THIRD ANGLE PROJECTION		INTERPRET PER ASME Y14.5 - 2018		
		MAX SURFACE ROUGHNESS ALL SURFACES		INTERPRET PER ASME Y14.5 - 2018		
		DIVISION CODE EMSD		DIVISION EMSD		
		DO NOT SCALE DRAWING		TOLERANCES EXCEPT AS NOTED		
		THIRD ANGLE PROJECTION		INTERPRET PER ASME Y14.5 - 2018		
		MAX SURFACE ROUGHNESS ALL SURFACES		INTERPRET PER ASME Y14.5 - 2018		
		DIVISION CODE EMSD		DIVISION EMSD		
		DO NOT SCALE DRAWING		TOLERANCES EXCEPT AS NOTED		
		THIRD ANGLE PROJECTION		INTERPRET PER ASME Y14.5 - 2018		
		MAX SURFACE ROUGHNESS ALL SURFACES		INTERPRET PER ASME Y14.5 - 2018		
		DIVISION CODE EMSD		DIVISION EMSD		
		DO NOT SCALE DRAWING		TOLERANCES EXCEPT AS NOTED		
		THIRD ANGLE PROJECTION		INTERPRET PER ASME Y14.5 - 2018		
		MAX SURFACE ROUGHNESS ALL SURFACES		INTERPRET PER ASME Y14.5 - 2018		
		DIVISION CODE EMSD		DIVISION EMSD		
		DO NOT SCALE DRAWING		TOLERANCES EXCEPT AS NOTED		
		THIRD ANGLE PROJECTION		INTERPRET PER ASME Y14.5 - 2018		
		MAX SURFACE ROUGHNESS ALL SURFACES		INTERPRET PER ASME Y14.5 - 2018		
		DIVISION CODE EMSD		DIVISION EMSD		
		DO NOT SCALE DRAWING		TOLERANCES EXCEPT AS NOTED		
		THIRD ANGLE PROJECTION		INTERPRET PER ASME Y14.5 - 2018		
		MAX SURFACE ROUGHNESS ALL SURFACES		INTERPRET PER ASME Y14.5 - 2018		
		DIVISION CODE EMSD		DIVISION EMSD		
		DO NOT SCALE DRAWING		TOLERANCES EXCEPT AS NOTED		
		THIRD ANGLE PROJECTION		INTERPRET PER ASME Y14.5 - 2018		
		MAX SURFACE ROUGHNESS ALL SURFACES		INTERPRET PER ASME Y14.5 - 2018		
		DIVISION CODE EMSD		DIVISION EMSD		
		DO NOT SCALE DRAWING		TOLERANCES EXCEPT AS NOTED		
		THIRD ANGLE PROJECTION		INTERPRET PER ASME Y14.5 - 2018		
		MAX SURFACE ROUGHNESS ALL SURFACES		INTERPRET PER ASME Y14.5 - 2018		
		DIVISION CODE EMSD		DIVISION EMSD		
		DO NOT SCALE DRAWING		TOLERANCES EXCEPT AS NOTED		
		THIRD ANGLE PROJECTION		INTERPRET PER ASME Y14.5 - 2018		
		MAX SURFACE ROUGHNESS ALL SURFACES		INTERPRET PER ASME Y14.5 - 2018		
		DIVISION CODE EMSD		DIVISION EMSD		
		DO NOT SCALE DRAWING		TOLERANCES EXCEPT AS NOTED		
		THIRD ANGLE PROJECTION		INTERPRET PER ASME Y14.5 - 2018		
		MAX SURFACE ROUGHNESS ALL SURFACES		INTERPRET PER ASME Y14.5 - 2018		
		DIVISION CODE EMSD		DIVISION EMSD		
		DO NOT SCALE DRAWING		TOLERANCES EXCEPT AS NOTED		
		THIRD ANGLE PROJECTION		INTERPRET PER ASME Y14.5 - 2018		
		MAX SURFACE ROUGHNESS ALL SURFACES		INTERPRET PER ASME Y14.5 - 2018		
		DIVISION CODE EMSD		DIVISION EMSD		
		DO NOT SCALE DRAWING		TOLERANCES EXCEPT AS NOTED		
		THIRD ANGLE PROJECTION		INTERPRET PER ASME Y14.5 - 2018		
		MAX SURFACE ROUGHNESS ALL SURFACES		INTERPRET PER ASME Y14.5 - 2018		
		DIVISION CODE EMSD		DIVISION EMSD		
		DO NOT SCALE DRAWING		TOLERANCES EXCEPT AS NOTED		
		THIRD ANGLE PROJECTION		INTERPRET PER ASME Y14.5 - 2018		
		MAX SURFACE ROUGHNESS ALL SURFACES		INTERPRET PER ASME Y14.5 - 2018		
		DIVISION CODE EMSD		DIVISION EMSD		
		DO NOT SCALE DRAWING		TOLERANCES EXCEPT AS NOTED		
		THIRD ANGLE PROJECTION		INTERPRET PER ASME Y14.5 - 2018		
		MAX SURFACE ROUGHNESS ALL SURFACES				

3M™ SHIELDED CONTROLLED IMPEDANCE (SCI) CABLE ASSEMBLIES, .100" SERIES  
 DUAL ROW .100" SCI CARRIER, .100" PIN STRIP WITH LATCH, COAX CABLE



3M ELECTRONICS MATERIALS SOLUTIONS DIVISION  
 INTERCONNECT SOLUTIONS  
<http://www.3M.com/interconnect>

3M IS A TRADEMARK OF 3M COMPANY.  
 FOR TECHNICAL, SALES OR ORDERING  
 INFORMATION CALL 800-225-5373

REV	ECO	ISSUE DATE AND DESCRIPTION	DRFT	CHKD
B	108799	JAN 31, 2023 REVISE WITHDRAWAL FORCE AND REDRAWN	JNC	FJR
A	AT1780	SEP 23, 2005 PRODUCTION RELEASE	---	---

DESIGN REFERENCE	NEXT ASSEMBLY

DRFT	DATE	MFG	DATE
CASTIGLIONE	JAN 31, 2023		
DRD	DATE	APPR	DATE
S. OWEN	JAN 31, 2023	F. RODRIGUEZ	FEB 01, 2023

DO NOT SCALE DRAWING	SCALE	TOLERANCES EXCEPT AS NOTED
	4 1	

THIRD ANGLE PROJECTION	INTERPRET PER ASME Y14.5 - 2018	INCHES	MILLIMETERS
		0 ± .1 .00 ± .01 .0000 ± .0005 .0000 ± .0005	0 ± .0 ± .00 ± .000 ±

MAX. SURFACE ROUGHNESS	ALL SURFACES	MARKED ONLY	ANGLES

TITLE	CAGE NUMBER	SIZE	DRAWING NO.	REV.
SHIELDED CONTROLLED IMPEDANCE (SCI) .100" SERIES CABLE ASSEMBLY	D		78-5100-0803-6	B

© 3M COPYRIGHT 2023  
 This document and the information it contains are 3M property and may not be reproduced or further distributed without 3M permission, or used or disclosed other than for 3M authorized purposes. All rights reserved.

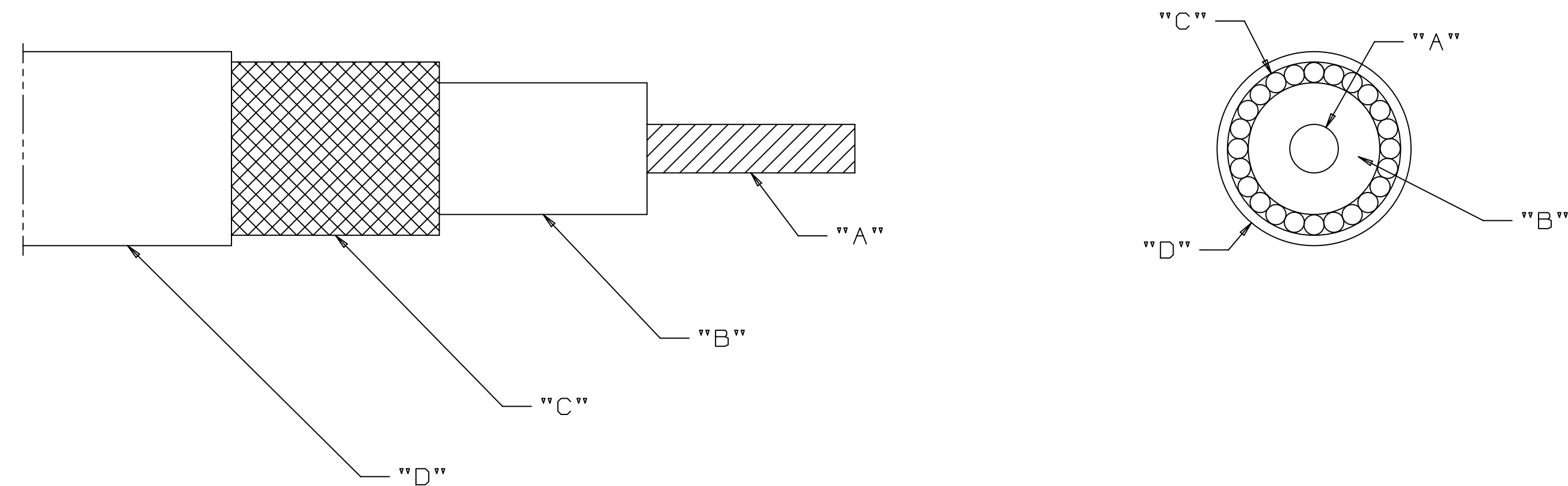
MODEL .100 SCI  
 DET.  YES  NO  
 SHT 2 OF 4

78-5100-0803-6  
DRAWING NUMBER

A

3M™ SHIELDED CONTROLLED IMPEDANCE (SCI) CABLE ASSEMBLIES, .100" SERIES  
 DUAL ROW .100" SCI CARRIER, .100" PIN STRIP WITH LATCH, COAX CABLE

CABLE SPECIFICATION



PHYSICAL PROPERTIES (TYP)				
CABLE TYPE	"A" CENTER CONDUCTOR	"B" DIELECTRIC MATERIAL	"C" SHIELD	"D" JACKET
017	50Ω ±5Ω 30 AWG SCCCS STRANDED (7/38) .012" O.D. [ 0.30mm O.D. ]	PTFE .033" O.D. [ 0.84mm O.D. ]	38 AWG BRAID (SPC) 95% NOMINAL COVERAGE .059" O.D. [ 1.50mm O.D. ]	FEP NATURAL COLOR .071" O.D. [ 1.80mm O.D. ]
027	50Ω ±2Ω 26 AWG SPC STRANDED (7/34) .019" O.D. [ 0.48mm O.D. ]	AIR/FEP TUBE .044" O.D. [ 1.1mm O.D. ]	38 AWG (SPC) DOUBLE SERVE	FEP BLUE COLOR .074" O.D. [ 1.88mm O.D. ]
041	75Ω ±3Ω 30 AWG SPC STRANDED (7/38) .012" O.D. [ 0.30mm O.D. ]	FEP (POROUS) .045" O.D. [ 1.14mm O.D. ]	40 AWG BRAID (TPC) 90% MINIMUM COVERAGE .059" O.D. [ 1.50mm O.D. ]	FEP GRAY COLOR .074" O.D. [ 1.88mm O.D. ]

SCCCS = SILVER COPPER COVERED STEEL  
 SPC = SILVER PLATED COPPER  
 TPC = TIN PLATED COPPER

ELECTRICAL PROPERTIES (TYP)					
CABLE TYPE	CAPACITANCE	PROPAGATION DELAY	ATTENUATION	CONDUCTOR RESISTANCE	
017	50Ω ±5Ω 32 pF/ft MAX. [ 105 pF/m ]	1.46 nS/ft NOM. [ 4.8 nS/m ]	33 dB MAX/100 ft @ 400 MHz [ 108 dB/100m ]	.24Ω/ft @ 68°F [ 0.8Ω/m @ 20°C ]	
027	50Ω ±2Ω 23 pF/ft NOM. [ 75 pF/m ]	1.15 nS/ft NOM. [ 3.77 nS/m ]	20 dB/100 ft @ 400 MHz NOM. [ 65 dB/100m ]	.041Ω/ft @ 68°F [ 0.15Ω/m @ 20°C ]	
041	75Ω ±3Ω 16 pF/ft MAX. [ 52 pF/m ]	1.22 nS/ft NOM. [ 4.0 nS/m ]	10 dB MAX/100 ft @ 100 MHz [ 33 dB/100m ]	.09Ω/ft @ 68°F [ 0.3Ω/m @ 20°C ]	

REV	ECO	ISSUE DATE AND DESCRIPTION	DRFT	CHKD
A	AT1780	SEP 23, 2005 PRODUCTION RELEASE	---	---
B	108799	JAN 31, 2023 REVISE WITHDRAWAL FORCE AND REDRAWN	JNC	FJR

DESIGN REFERENCE	NEXT ASSEMBLY	DRFT	DATE	CHKD	DATE
		CASTIGLIONE	JAN 31, 2023	S. OWEN	JAN 31, 2023
DIVISION		DIVISION CODE		EMSD	
DO NOT SCALE DRAWING	SCALE 30/1	TOLERANCES EXCEPT AS NOTED		3M Center St. Paul, MN 55144 © 3M COPYRIGHT 2023 This document and the information it contains are 3M property and may not be reproduced or further distributed without 3M permission, or used or disclosed other than for 3M authorized purposes. All rights reserved.	
THIRD ANGLE PROJECTION		INCHES		MILLIMETERS	
INTERPRET PER ASME Y14.5 - 2018		.00 ±.01 .000 ±.005 .0000 ±.0005		0 ± .0 ± .00 ± .000 ±	
MAX SURFACE ROUGHNESS		ALL SURFACES		MARKED ONLY	
ANGLES		CAGE NUMBER		DRAWING NO.	
		D78-5100-0803-6		REV. B	
		MODEL .100 SCI		DET [ ] YES [X] NO SHT 3 OF 4	

3M ELECTRONICS MATERIALS SOLUTIONS DIVISION  
 INTERCONNECT SOLUTIONS  
<http://www.3m.com/interconnect>

3M IS A TRADEMARK OF 3M COMPANY.  
 FOR TECHNICAL, SALES OR ORDERING  
 INFORMATION CALL 800-225-5373

78-5100-0803-6 DRAWING NUMBER

A

3M™ SHIELDED CONTROLLED IMPEDANCE (SCI) CABLE ASSEMBLIES, .100" SERIES  
 DUAL ROW .100" SCI CARRIER, .100" PIN STRIP WITH LATCH, COAX CABLE

Regulatory: For regulatory information about this product, visit 3M.com/regs or contact your 3M representative.

Technical Information: The technical information, guidance, and other statements contained in this document or otherwise provided by 3M are based upon records, tests, or experience that 3M believes to be reliable, but the accuracy, completeness, and representative nature of such information is not guaranteed. Such information is intended for people with knowledge and technical skills sufficient to assess and apply their own informed judgment to the information. No license under any 3M or third party intellectual property rights is granted or implied with this information.

Product Use: Many factors beyond 3M's control and uniquely within user's knowledge and control can affect the use and performance of a 3M product in a particular application. As a result, customer is solely responsible for evaluating the product and determining whether it is appropriate and suitable for customer's application, including conducting a workplace hazard assessment and reviewing all applicable regulations and standards (e.g., OSHA, ANSI, etc.). Failure to properly evaluate, select, and use a 3M product in accordance with all applicable instructions and with appropriate safety equipment, or to meet all applicable safety regulations, may result in injury, sickness, death, and/or harm to property.


Warranty, Limited Remedy, and Disclaimer: Unless a different warranty is specifically stated on the applicable 3M product packaging or product literature (in which case such warranty governs), 3M warrants that each 3M product meets the applicable 3M product specification at the time 3M ships the product. 3M MAKES NO OTHER WARRANTIES OR CONDITIONS, EXPRESS OR IMPLIED, INCLUDING, BUT NOT LIMITED TO, ANY IMPLIED WARRANTY OR CONDITION OF MERCHANTABILITY, FITNESS FOR A PARTICULAR PURPOSE, OR ANY IMPLIED WARRANTY OR CONDITION ARISING OUT OF A COURSE OF DEALING, CUSTOM, OR USAGE OF TRADE. If a 3M product does not conform to this warranty, then the sole and exclusive remedy is, at 3M's option, replacement or repair of the 3M product or refund of the purchase price.

Limitation of Liability: Except for the limited remedy stated above, and except to the extent prohibited by applicable law, 3M will not be liable for any loss or damage arising from or related to the 3M product, whether direct, indirect, special, incidental, or consequential (including, but not limited to, lost profits or business opportunity), regardless of the legal or equitable theory asserted, including, but not limited to, warranty, contract, negligence, or strict liability.

Disclaimer: For industrial use only. Not intended, labeled or packaged for consumer sale or use.

3M Company  
 Electronics Materials Solutions Division  
 13011 McCallen Pass, Bldg. C  
 Austin, TX 78753-5380  
 1-800-225-5373  
 www.3M.com/interconnect

3M ELECTRONICS MATERIALS SOLUTIONS DIVISION  
 INTERCONNECT SOLUTIONS  
 http://www.3M.com/interconnect  
 3M IS A TRADEMARK OF 3M COMPANY.  
 FOR TECHNICAL, SALES OR ORDERING  
 INFORMATION CALL 800-225-5373

DESIGN REFERENCE	NEXT ASSEMBLY	REV	ECO	ISSUE DATE AND DESCRIPTION	DRFT	CHKD
		DRFT	DATE	MFG	DATE	
		DRFT	DATE	APPV	DATE	
		DRFT	DATE	APPV	DATE	
DIVISION		DIVISION CODE		EMSD		
DO NOT SCALE DRAWING	SCALE 4/1	TOLERANCES EXCEPT AS NOTED		 © 3M COPYRIGHT 2023 This document and the information it contains are 3M property and may not be reproduced or further distributed without 3M permission, or used or disclosed other than for 3M authorized purposes. All rights reserved.		
THIRD ANGLE PROJECTION	INTERPRET PER ASME Y14.5 - 2018	INCHES		MILLIMETERS		
		.00 ± .01		0 ±		
		.000 ± .005		.00 ±		
		.0000 ± .0005		.000 ±		
		MAX SURFACE ROUGHNESS		CAGE NUMBER		
		<input type="checkbox"/> ALL SURFACES <input checked="" type="checkbox"/> MARKED ONLY		D 78-5100-0803-6		REV. B
		ANGLE ±		MODEL .100 SCI		DET [ ] YES [X] NO SHT 4 OF 4

78-5100-0803-6  
DRAWING NUMBER

A