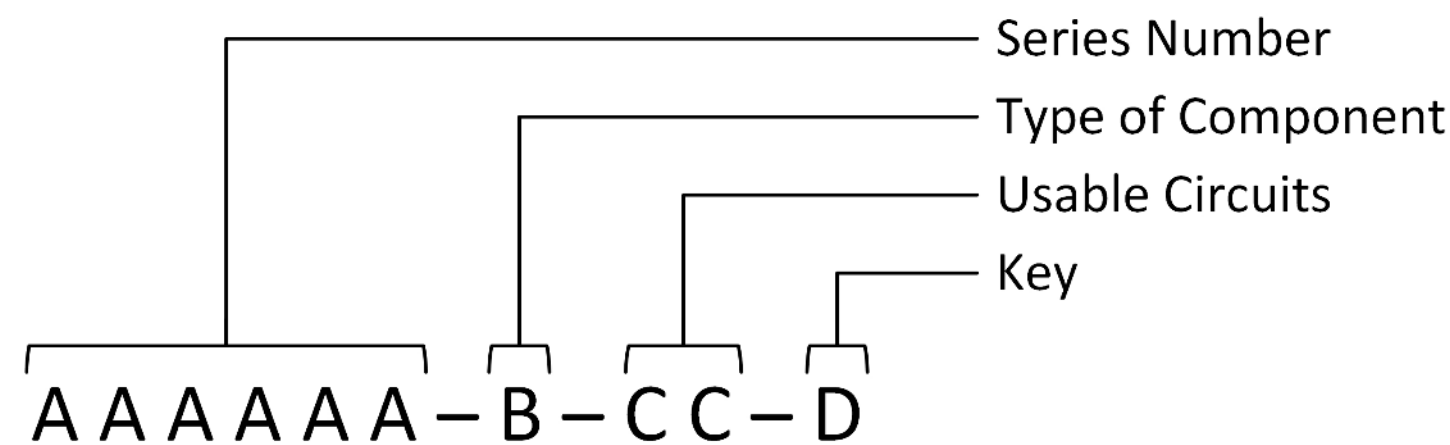


CONNTAK50 DUAL ROW VERTICAL SMT HEADERS

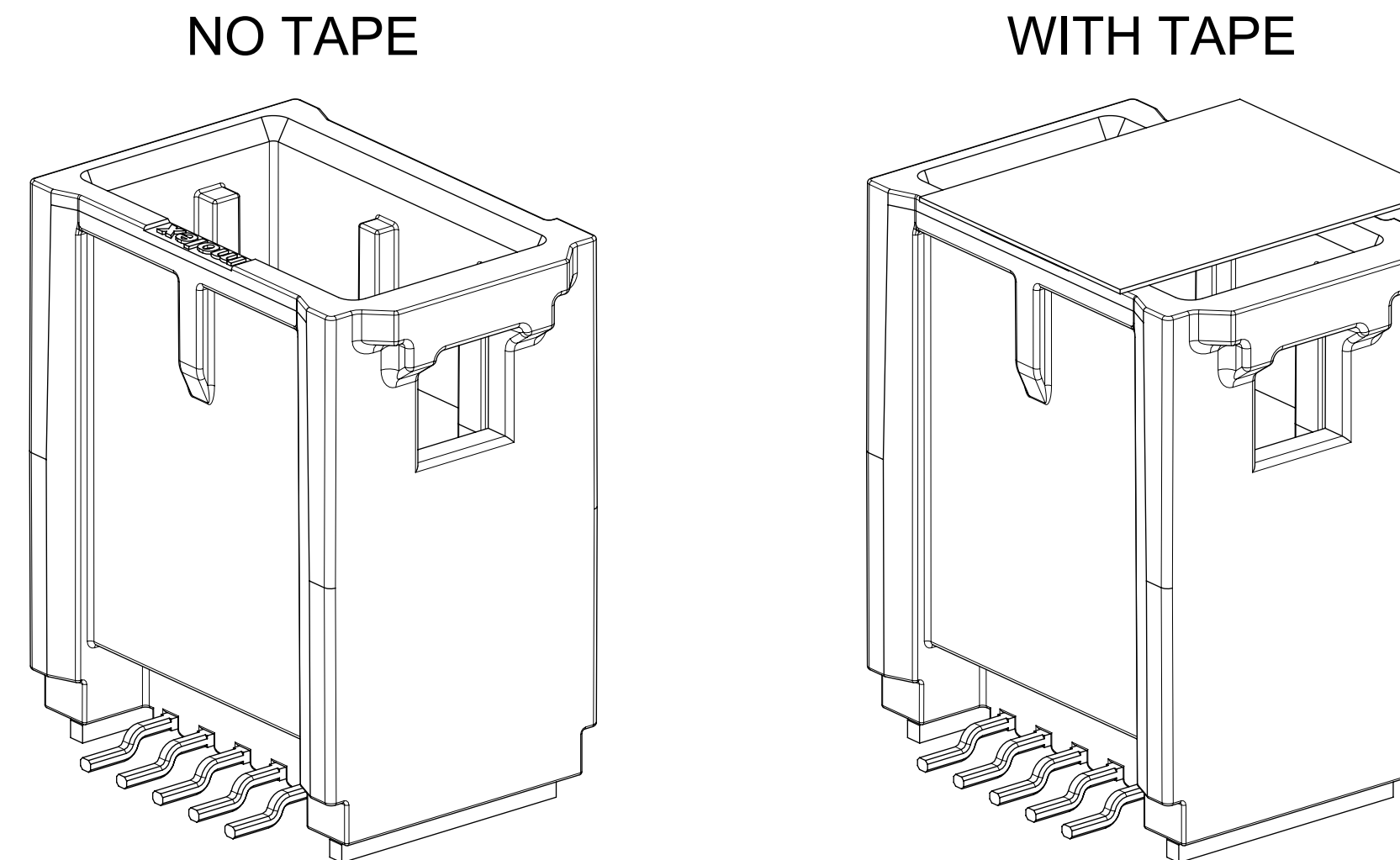
10CKT HEADER:

PART NUMBER EXAMPLE:



PN 2069573101
206957 - SERIES NUMBER: DUAL ROW VERTICAL SMT HEADER - STANDARD PERFORMANCE
3 - TYPE OF COMPONENT: STANDARD MATERIAL; FULLY POPULATED, WITH TAPE
10 - 10 USABLE CIRCUITS
1 - KEY A

FINAL PART: 10CKT DUAL ROW VERTICAL STANDARD PERFORMANCE SMT HEADER - KEY A



	SERIES NUMBERS (AAAAA)	TYPE OF COMPONENT (B)	USABLE CIRCUITS (CC)	KEY (D)
MATING COMPONENT	205825 - RECEPTACLE	2 - STD MATL; FULLY POPULATED; NO TAPE 3 - STD MATL; FULLY POPULATED; WITH TAPE 4 - STD MATL; LAST 2 CKTS UNPOPULATED; NO TAPE 5 - STD MATL; LAST 2 CKTS UNPOPULATED; WITH TAPE	02 - 2 Circuits ... 22 - 22 Circuits	1 - KEY A 2 - KEY B 3 - KEY C 4 - KEY D
ON DRAWING	206957 - DR HB VERTICAL STANDARD PERFORMANCE SMT HEADER 208036 - DR V0 VERTICAL STANDARD PERFORMANCE SMT HEADER			
OTHER	206958 - DR RIGHT ANGLE SMT HEADER - STANDARD PERF.			

INTERFACE	INTERFACE CKT SIZE	STANDARD HB MATERIAL SMT HEADER										TOOLING STATUS				
		FULLY POPULATED					2 CKTS UNPOPULATED									
		NO TAPE		WITH TAPE			NO TAPE		WITH TAPE							
		DIM A	DIM B	DIM C	DIM D	DIM F	KEY	COLOR	PART NUMBER	USABLE CKTS	PART NUMBER	USABLE CKTS	PART NUMBER	USABLE CKTS	PART NUMBER	USABLE CKTS
	10	2.90	6.46	15.10	7.21	4.30	A	BLACK	2069572101	10	2069573101	10	2069574081	8	2069575081	8
							B	NATURAL	2069572102	10	2069573102	10	2069574082	8	2069575082	8
							C	BLUE	2069572103	10	2069573103	10	2069574083	8	2069575083	8
							D	VIOLET	2069572104	10	2069573104	10	2069574084	8	2069575084	8

INTERFACE	INTERFACE CKT SIZE	V0 MATERIAL SMT HEADER										TOOLING STATUS				
		FULLY POPULATED					2 CKTS UNPOPULATED									
		NO TAPE		WITH TAPE			NO TAPE		WITH TAPE							
		DIM A	DIM B	DIM C	DIM D	DIM F	KEY	COLOR	PART NUMBER	USABLE CKTS	PART NUMBER	USABLE CKTS	PART NUMBER	USABLE CKTS	PART NUMBER	USABLE CKTS
	4	0.20	3.76	9.70	6.51	1.60	A	BLACK	2080362041	4	2080363041	4	2080364021	2	2080365021	2
							B	NATURAL	2080362042	4	2080363042	4	2080364022	2	2080365022	2
							C	BLUE	2080362043	4	2080363043	4	2080364023	2	2080365023	2
							D	VIOLET	2080362044	4	2080363044	4	2080364024	2	2080365024	2

	6	1.10	4.66	11.50	5.41	2.50	A	BLACK	2080362061	6	2080363061	6	2080364041	4	2080365041	4
							B	NATURAL	2080362062	6	2080363062	6	2080364042	4	2080365042	4
							C	BLUE	2080362063	6	2080363063	6	2080364043	4	2080365043	4
							D	VIOLET	2080362064	6	2080363064	6	2080364044	4	2080365044	4
	8	2.00	5.56	13.30	6.31	3.40	A	BLACK	2080362081	8	2080363081	8	2080364061	6	2080365061	6
							B	NATURAL	2080362082	8	2080363082	8	2080364062	6	2080365062	6
							C	BLUE	2080362083	8	2080363083	8	2080364063	6	2080365063	6
							D	VIOLET	2080362084	8	2080363084	8	2080364064	6	2080365064	6
	10	2.90	6.46	15.10	7.21	4.30	A	BLACK	2080362101	10	2080363101	10	2080364081	8	2080365081	8
							B	NATURAL	2080362102	10	2080363102	10	2080364082	8	2080365082	8
							C	BLUE	2080362103	10	2080363103	10	2080364083	8	2080365083	8
							D	VIOLET	2080362104	10	2080363104	10	2080364084	8	2080365084	8
	12	3.80	7.36	16.90	8.11	5.20	A	BLACK	2080362121	12	2080363121	12	2080364101	10	2080365101	10
							B	NATURAL	2080362122	12	2080363122	12	2080364102	10	2080365102	10
							C	BLUE	2080362123	12	2080363123	12	2080364103	10	2080365103	10
							D	VIOLET	2080362124	12	2080363124	12	2080364104	10	2080365104	10
	14	4.70	8.26	18.70	9.01	6.10	A	BLACK	2080362141	14	2080363141	14	2080364121	12	2080365121	12
							B	NATURAL	2080362142	14	2080363142	14	2080364122	12	2080365122	12
							C	BLUE	2080362143	14	2080363143	14	2080364123	12	2080365123	12
							D	VIOLET	2080362144	14	2080363144	14	2080364124	12	2080365124	12
	16	5.60	9.16	20.50	9.91	7.00	A	BLACK	2080362161	16	2080363161	16	2080364141	14	2080365141	14
							B	NATURAL	2080362162	16	2080363162	16	2080364142	14	2080365142	14
							C	BLUE	2080362163	16	2080363163	16	2080364143	14	2080365143	14
							D	VIOLET	2080362164	16	2080363164	16	2080364144	14	2080365144	14
	18	6.50	10.06	22.30	10.81	7.90	A	BLACK	2080362181	18	2080363181	18	2080364161	16	2080365161	16
							B	NATURAL	2080362182	18	2080363182	18	2080364162	16	2080365162	16
							C	BLUE	2080362183	18	2080363183	18	2080364163	16	2080365163	16
							D	VIOLET	2080362184	18	2080363184	18	2080364164	16	2080365164	16
	20	7.40	10.96	24.10	11.71	8.80	A	BLACK	2080362201	20	2080363201	20	2080364181	18	2080365181	18
							B	NATURAL	2080362202	20	2080363202	20	2080364182	18	2080365182	18
							C	BLUE	2080362203	20	2080363203	20	2080364183	18	2080365183	18
							D	VIOLET	2080362204	20	2080363204	20	2080364184	18	2080365184	18
	22	8.30	11.86	25.90	12.61	9.70	A	BLACK	2080362221	22	2080363221	22	2080364201	20	2080365201	20
							B	NATURAL	2080362222	22	2080363222	22	2080364202	20	2080365202	20
							C	BLUE	2080362223	22	2080363223	22	2080364203	20	2080365203	20
							D	VIOLET	2080362224	22	2080363224	22	2080364204	20	2080365204	20

NOTES:

VALID UNLESS OTHERWISE SPECIFIED

1. GENERAL:

- 1.1 APPLICATION SPECIFICATION SEE: 2046310000-AS
- 1.2 PRODUCT SPECIFICATION SEE: 2046310000-PS
- 1.3 PACKAGING SPECIFICATION PER MOLEX DRAWING: 2069579000
 - 1.3.1 PACKAGING IS TAPE & REEL
- 1.4 COMPATIBLE WITH STANDARD AK INTERFACE C-114-94000-20 REV A1
- 1.5 CONFORMS TO MOLEX AK INTERFACE 2046310001 REV A
 - 1.5.1 MOLEX AK INTERFACE IS PART OF PPAP
- 1.6 CIRCUITS DO NOT CONTAIN PINS IN "2 CKTS UNPOPULATED" HEADER VERSION
- 1.7 TRACEABILITY TO BE MARKED IN AREA SHOWN. MARK IS CODED AS FOLLOWS:
 - ROW 1 ("XXXXXX"):
 - "XXXXXX" IS MOLEX SMT HEADER SERIES NUMBER
 - ROW 2 ("YYYY PZ"):
 - "YYYY" IS PART SUFFIX (LAST 4 DIGITS OF PART NUMBER)
 - "P" IS PERFORMANCE MARK. SEE BOM TABLE FOR MARKING CODE
 - "Z" IS ASSEMBLY LINE NUMBER
 - ROW 3 ("HHDDDDYY"):
 - 1ST & 2ND DIGITS ("HH"): HOUR OF ASSEMBLY (24 HOUR CLOCK)
 - 3RD THRU 5TH DIGITS ("DDD"): JULIAN DATE (EXAMPLE: FEBRUARY 3RD -> "034")
 - 6TH & 7TH DIGITS ("YY"): LAST 2 DIGITS OF CALENDAR YEAR

2. DESIGN - MATERIALS:

- 2.1 SHROUD (PLASTIC HOUSING): SEE BOM
- 2.2 PINS:
 - 2.2.1 STANDARD PERFORMANCE PINS:
 - BASE MATERIAL: C26000 BRASS
 - UNDERPLATING (CONTACT REGION): NICKEL 1.0 - 1.8 µm
 - OVERPLATING (CONTACT REGION): MATTE TIN 1.0 - 3.0 µm

3. DESIGN - GEOMETRY:

- 3.1 GEOMETRIC DIMENSIONS AND TOLERANCES PER ASME Y14.5M-2009

C3	UPDATED: VIEW ON PG 1 FOR PICKUP TAPE; BOM TABLES FOR V0 & HB MATERIAL; NOTE 2.1; POL B COLOR FROM GREY TO NATURAL
C2	UPDATED: DIM 7 TOLERANCE
C1	UPDATED: DIM 10

INSPECTION BALLOON LOG

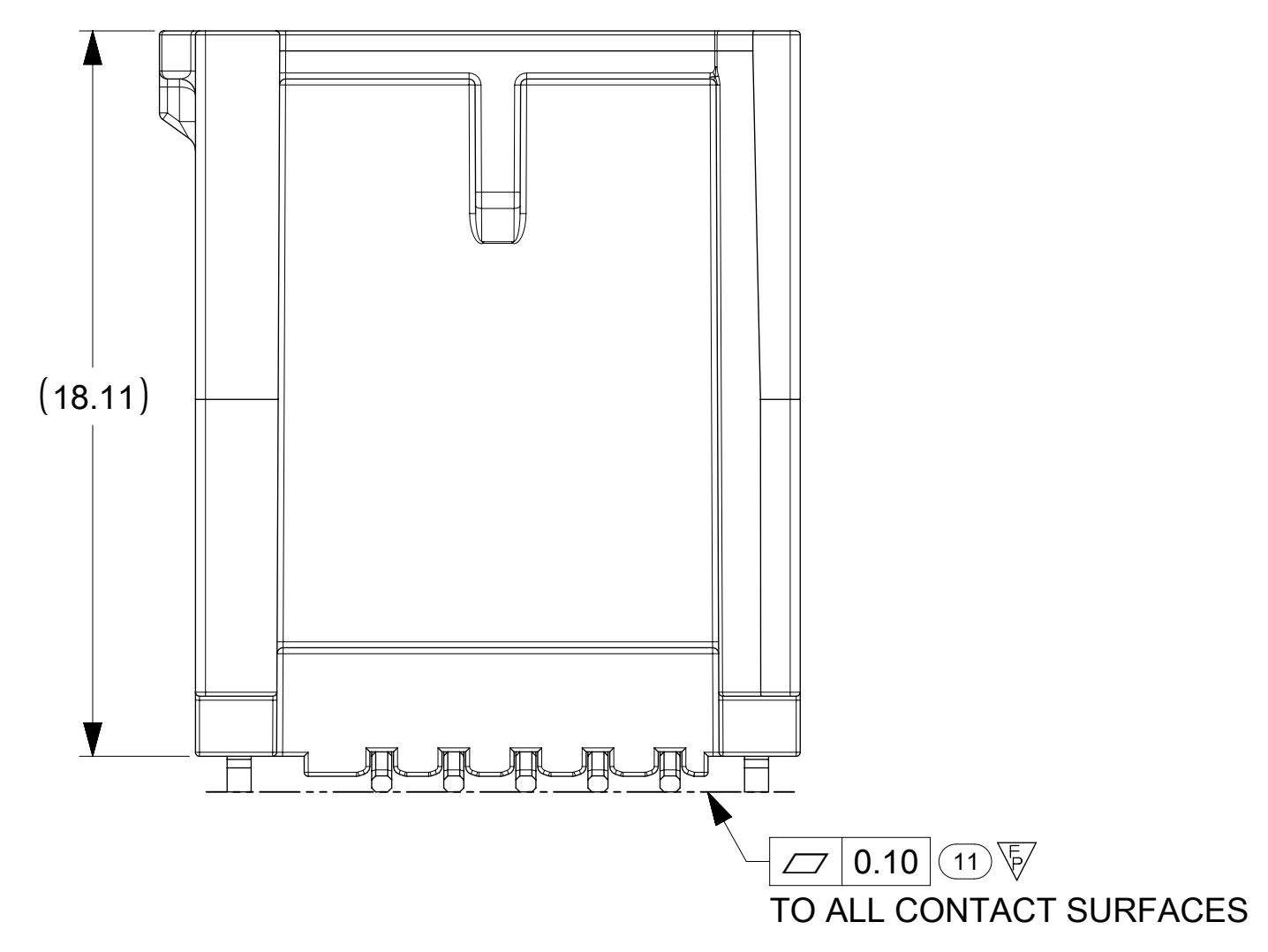
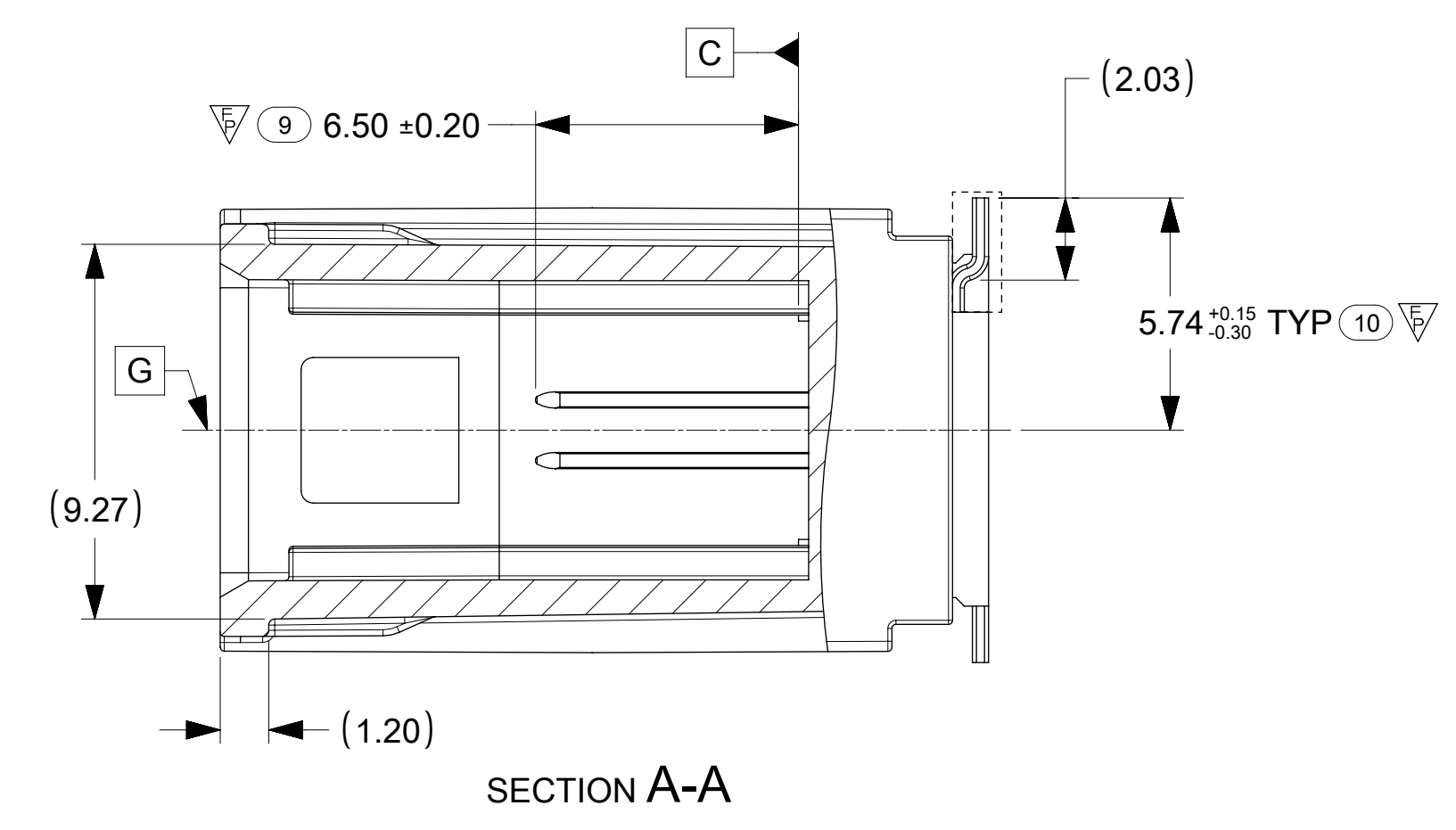
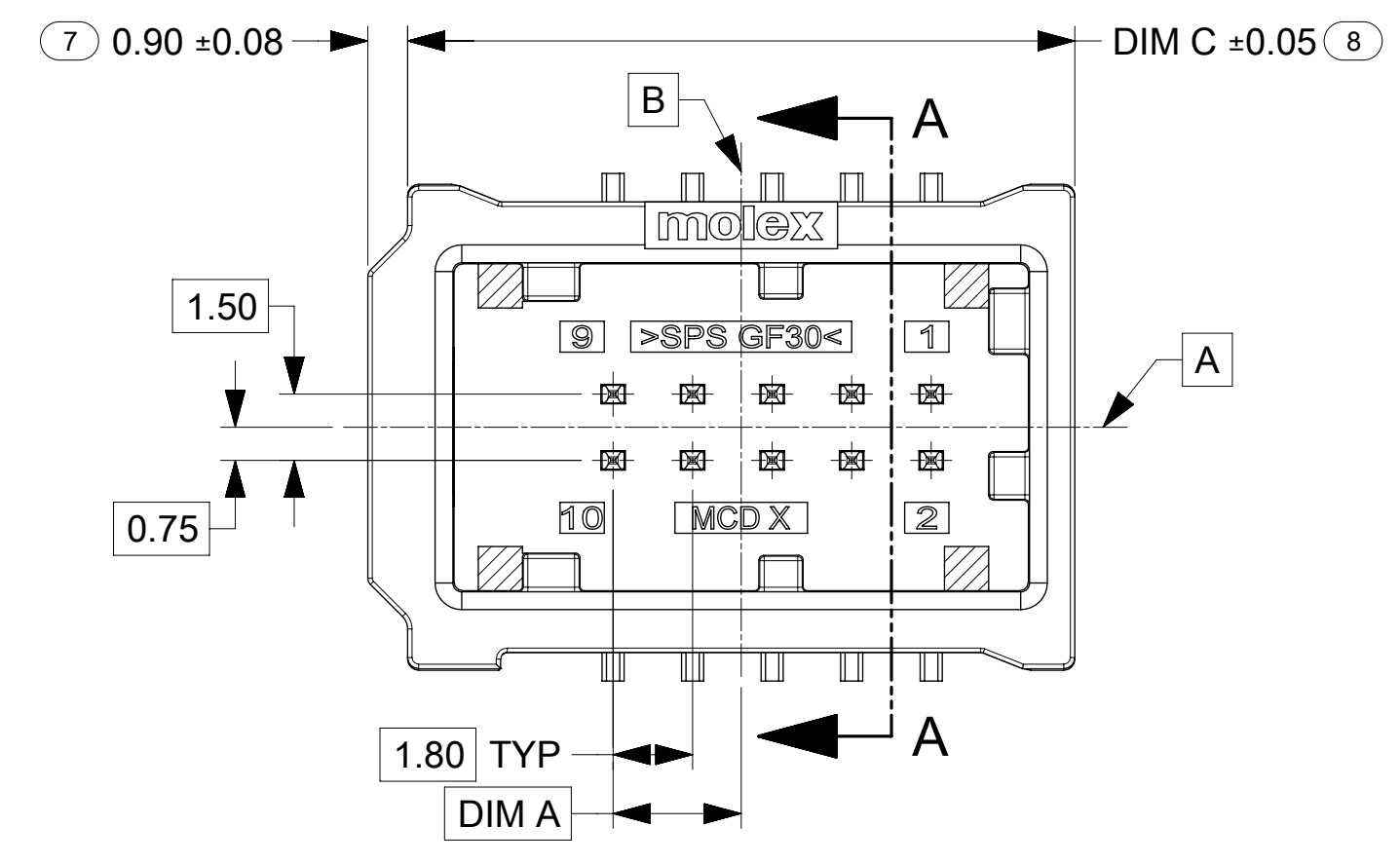
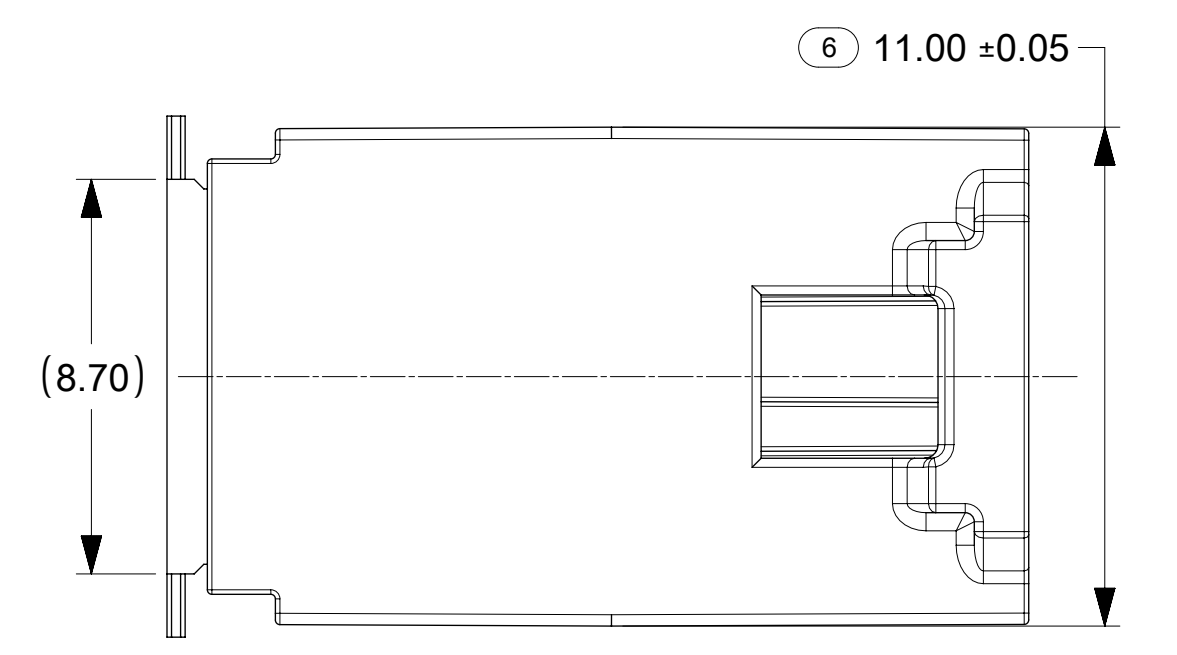
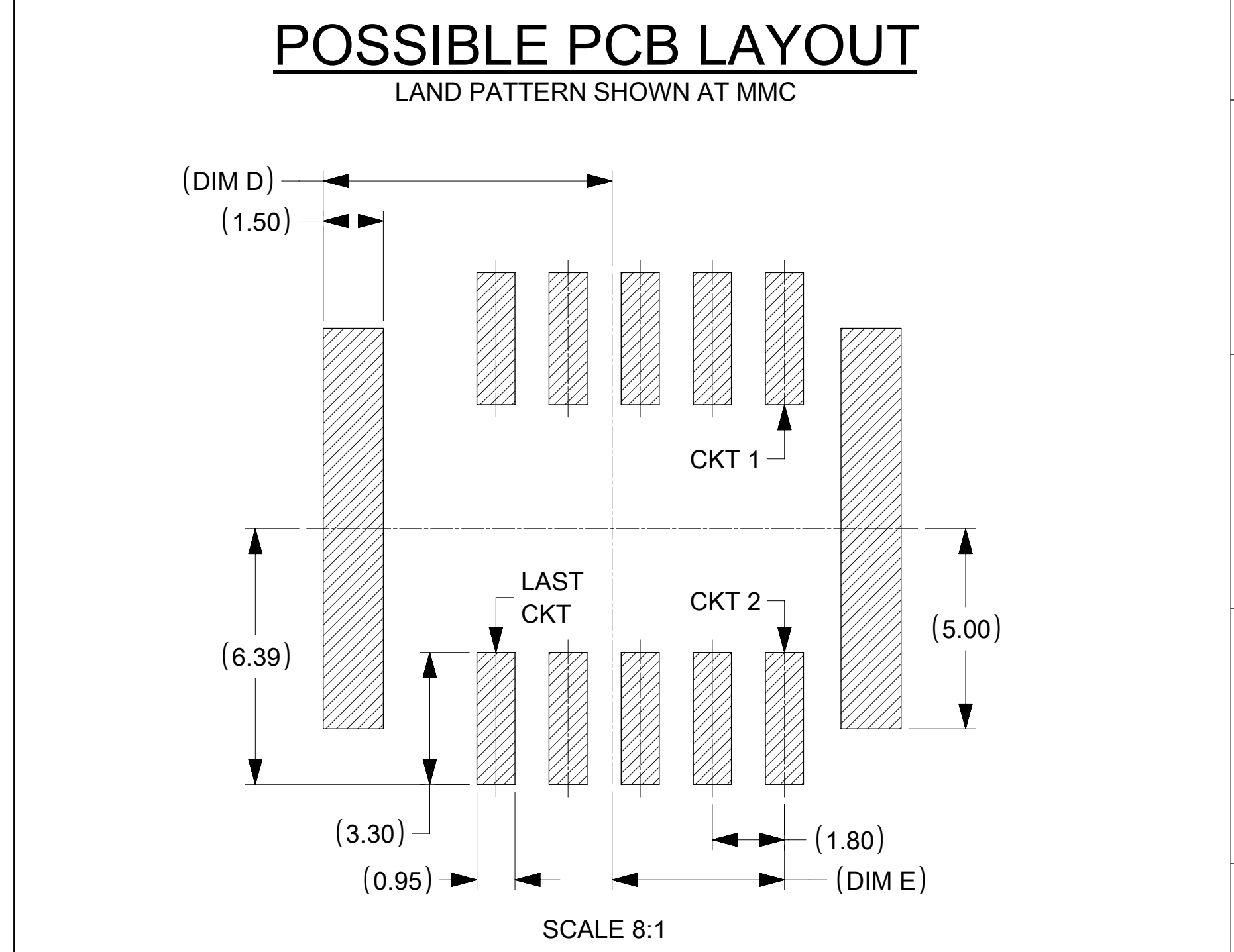
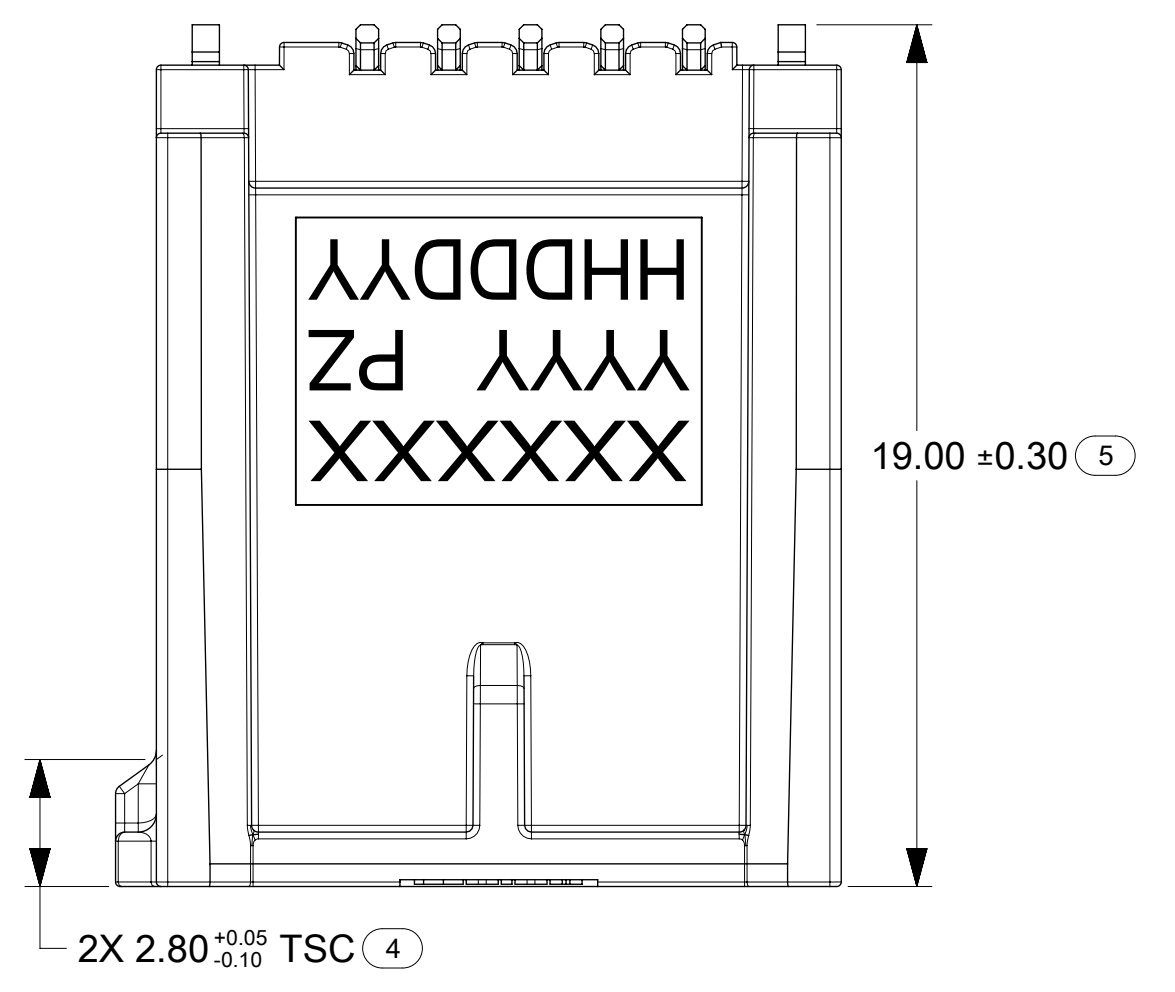
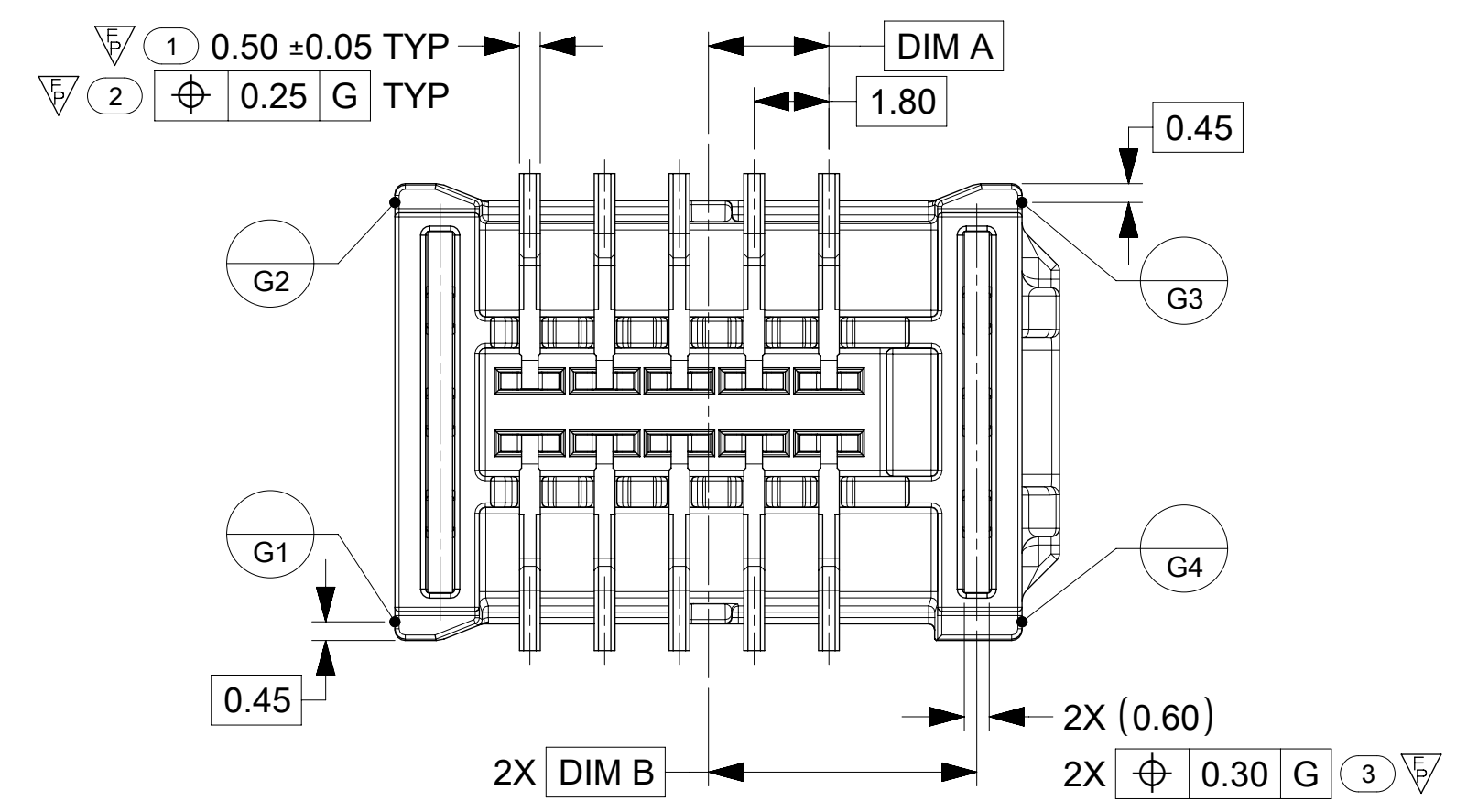
PER DRAWING REVISION: C3	
TOTAL BALLOONS: 11	
ADDED BALLOON NUMBERS:	
REMOVED BALLOON NUMBERS:	

C	ADDED: DATUM G; DIMENSIONAL INFO FOR ALL CIRCUIT SIZES; TRACEABILITY MARKING INFO; NOTE REFERENCING INTERFACE DRAWING; SOLDER NAIL REFERENCE DIMS; NEW NOTES 1.4, 1.5, 1.6, 1.7; NO CAP PART NUMBERS
	UPDATED: CHANGED CAP / NO CAP PART NUMBERS; PCB LAYOUT; PAGE 2 LAYOUT; NOTE 2.2 FORMAT; DIMENSION NUMBERS
B1	REMOVED: SEVERAL DIMS; DATUM A, B, & C CALLOUTS (SEE INTERFACE DRAWING); DATUM D, E, & F; OLD NOTES 1.4, 1.5, 1.6, 1.7, 3.1, 3.3, 3.4, 3.5, 3.6, 3.7; TUBE PART NUMBERS
	ADDED BASE MATERIAL IN SECTION 2.2; ADDED BALLON NUMBERS 1-13; UPDATED VIEW FOR LATCH IMPROVEMENT ON 10CKT; UPDATED NOTES 1.1, 1.2, & 1.3
REV	DESCRIPTION

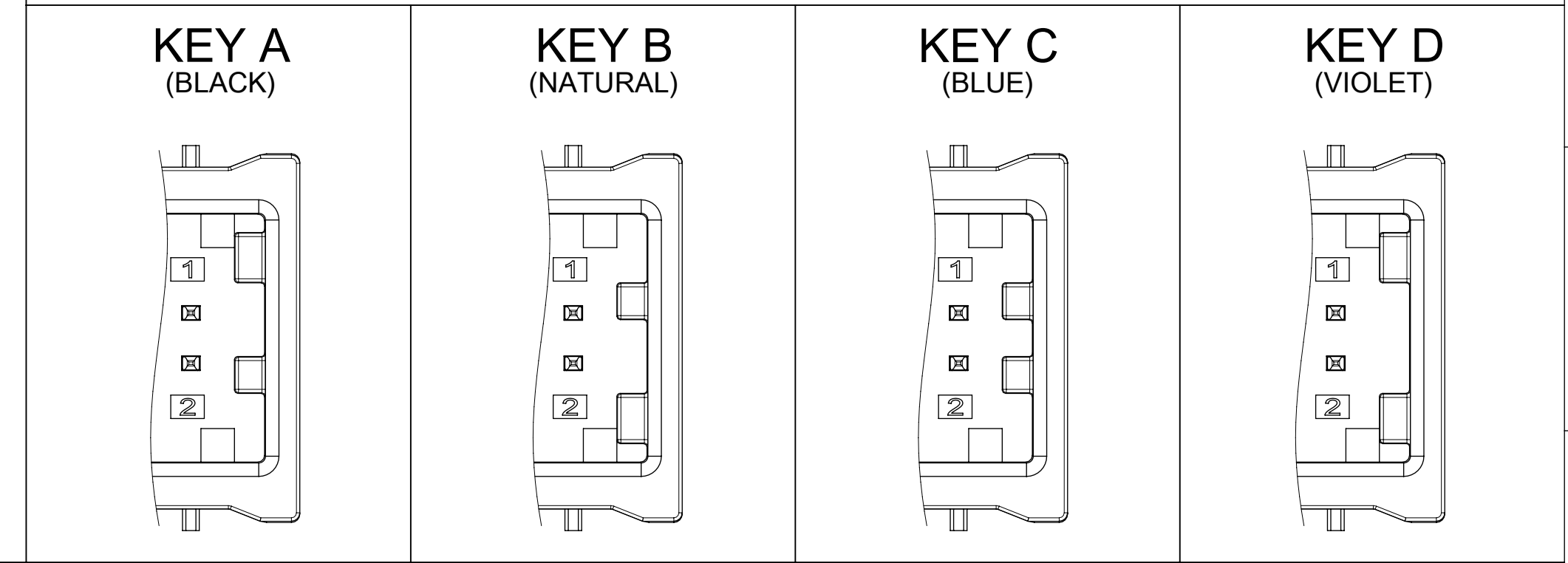
THIS DRAWING CONTAINS INFORMATION THAT IS PROPRIETARY TO MOLEX ELECTRONIC TECHNOLOGIES, LLC AND SHOULD NOT BE USED WITHOUT WRITTEN PERMISSION

DIMENSION UNITS	SCALE	CURRENT REV DESC:	molex		
mm	5:1				
GENERAL TOLERANCES (UNLESS SPECIFIED)			CONNTAK50 DR VERTICAL SMT HEADER		
ANGULAR TOL	±	°			
4 PLACES	±		PRODUCT CUSTOMER DRAWING		
3 PLACES	±				
2 PLACES	±		DOCUMENT NUMBER		
1 PLACE	±				
0 PLACES	±		2057260003		
DRAFT WHERE APPLICABLE MUST REMAIN WITHIN DIMENSIONS					
THIRD ANGLE PROJECTION		DRAWING	SERIES	MATERIAL NUMBER	CUSTOMER
D-SIZE		205726	SEE TABLE	GENERAL MARKET	1 OF 2

10CKT KEY A (2069572101) SHOWN EXCEPT WHERE NOTED
 REFER TO 2046310002 FOR INTERFACE DIMENSIONS



KEYING OPTIONS



2 CKTS UNPOPULATED
 8CKT HEADER WITH 2 CKTS UNPOPULATED (10CKT INTERFACE) SHOWN
 PART NUMBER: 2069584081

THIS DRAWING CONTAINS INFORMATION THAT IS PROPRIETARY TO MOLEX ELECTRONIC TECHNOLOGIES, LLC AND SHOULD NOT BE USED WITHOUT WRITTEN PERMISSION											
DIMENSION UNITS: mm		SCALE: 6:1		CURRENT REV DESC:							
GENERAL TOLERANCES (UNLESS SPECIFIED)				molex CONNTRAK50 DR VERTICAL SMT HEADER PRODUCT CUSTOMER DRAWING DOCUMENT NUMBER: 2057260003 DOC TYPE: PSD DOC PART: 000 REVISION: C3 MATERIAL NUMBER: SEE TABLE CUSTOMER: GENERAL MARKET SHEET NUMBER: 2 OF 2							
ANGULAR TOL ± °											
4 PLACES ±											
3 PLACES ±											
2 PLACES ±											
1 PLACE ±											
0 PLACES ±				DRAFT WHERE APPLICABLE MUST REMAIN WITHIN DIMENSIONS		THIRD ANGLE PROJECTION		DRAWING: D-SIZE		SERIES: 205726	
EC NO: 672688		2021/05/12		DRWN: KHEWITT		2021/08/09		CHK'D: VBALASUBRAMA		2021/08/09	
APPR: JDUNAJ		2021/08/09		INITIAL REVISION:		2018/02/23		DRWN: ECOLARUSSO		2018/03/14	
APPR: JDUNAJ		2018/03/14		APPR: JDUNAJ		2018/03/14					