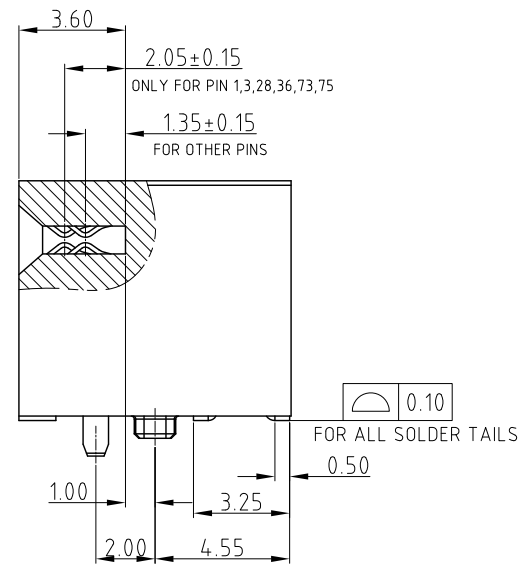
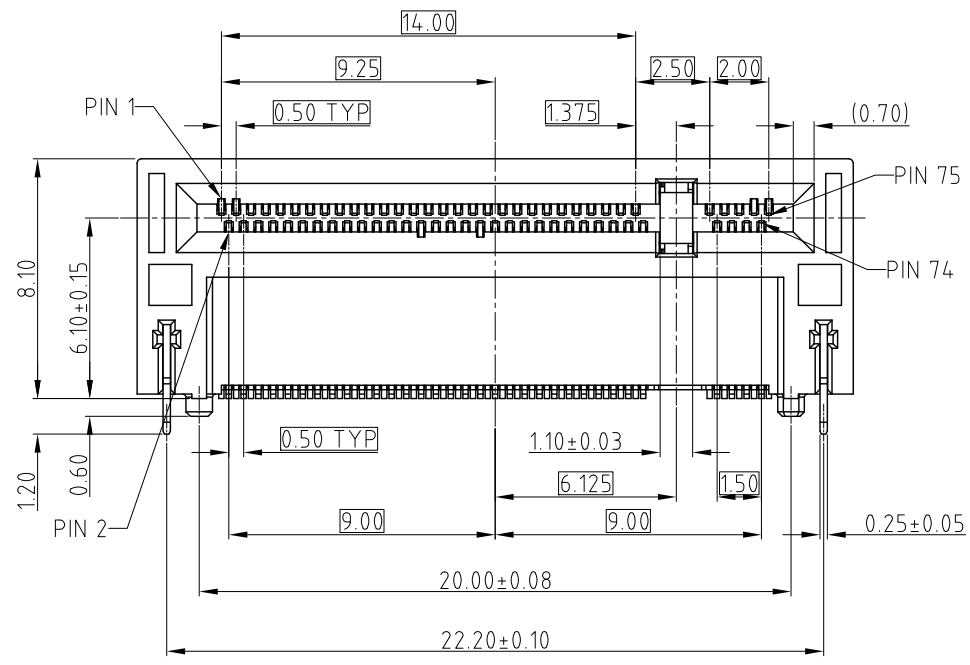
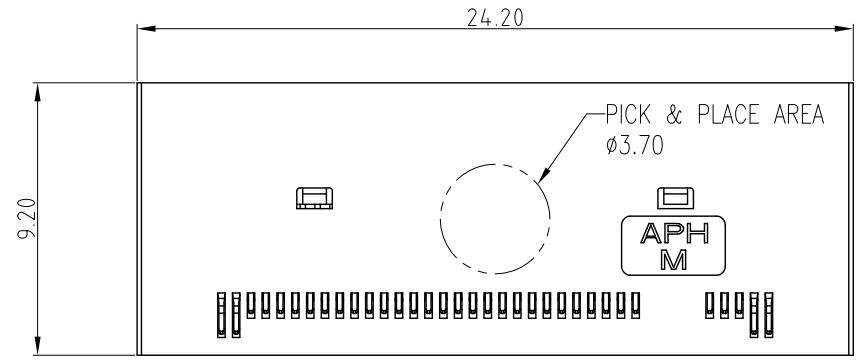


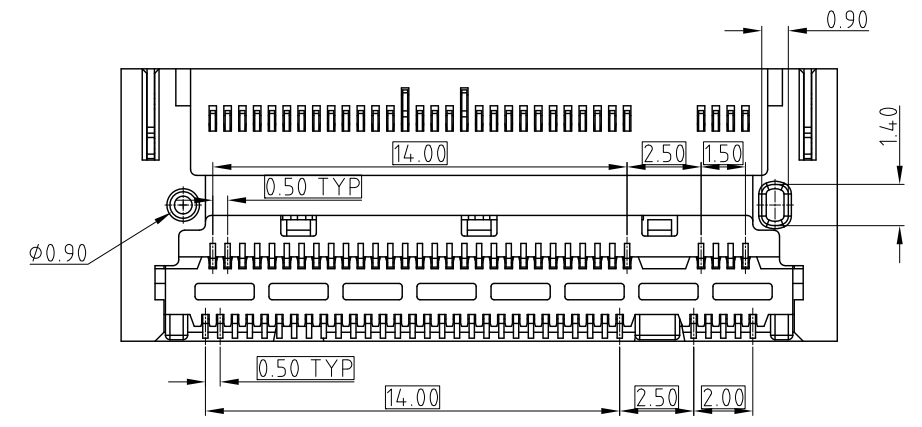
This document is the property of Amphenol Corporation and is delivered on the express condition that it is not to be disclosed, reproduced or used, in whole or in part, for manufacture or sale by anyone other than Amphenol Corporation without its prior consent, & that no right is granted to disclose or to use any information in this document.

CUSTOMER DRAWING

REVISIONS				
SYM	ECN	DESCRIPTION	DATE	APPROVED
1	CDXXXX	PRELIMINARY PROPOSAL	Nov.27,2017	YH
2	CDXXXX	ADD PIN DEFINITIONS	Dec.4,2017	YH
3	CDXXXX	UPDATE TITLE TO ADD MICRO COOL EDGE	Jul.10,2018	YH
3	CD1487	OFFICIAL RELEASE	Jul.10,2018	YH



- NOTE:
- MATERIAL:
PLASTIC-HIGH TEMPRATURE THERMOPLASTIC, UL 94V-0, BLACK
CONTACT: COPPER ALLOY
BOARD LOCK: ALLOY
 - FINISHED:
CONTACT AREA: 30u" MIN Au PLATED
SOLDER AREA: GOLD FLASH
BOARD LOCK: 2.54um MIN TIN PLATED
UNDERPLATED: 1.27um MIN NI UNDERPLATED ALLOVER
 - ELECTRICAL PERFORMANCE:
CURRENT RATING: 0.5A PER PIN
 - PACKING IN TAPE AND REEL.
 - MATERIAL SHOULD BE FULFILLED AMPHENOL SPEC#S-SN-004
 - ORDERING PN: MD3670M02006111



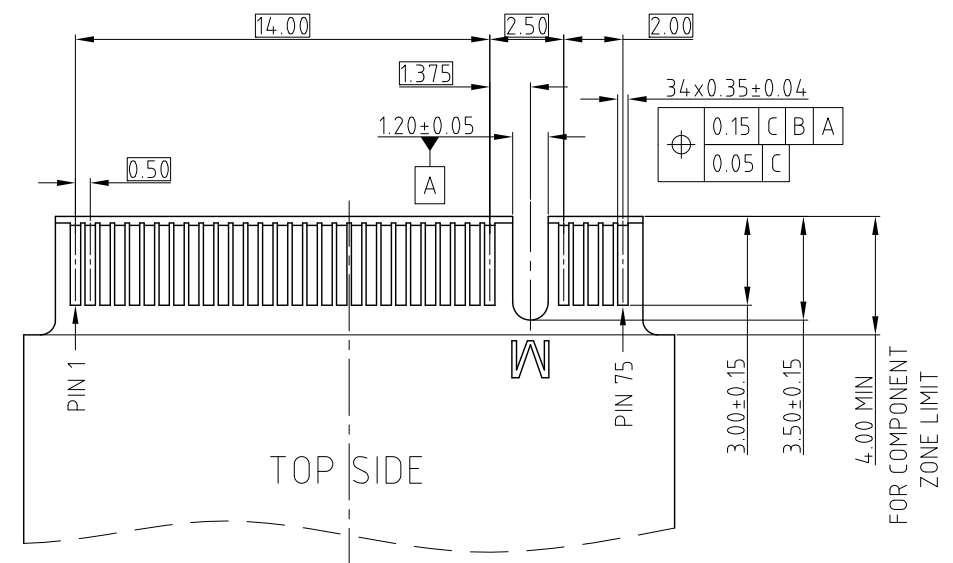
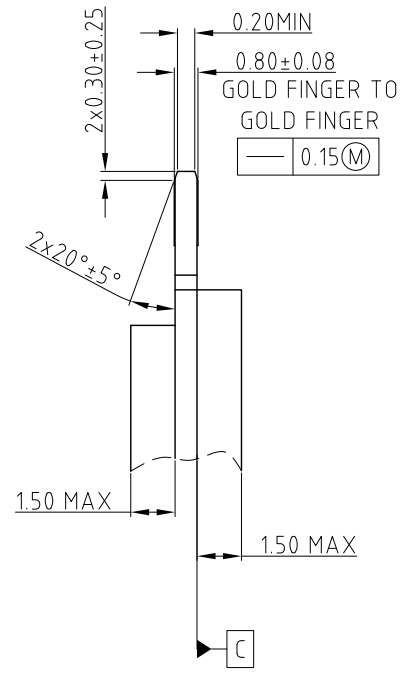
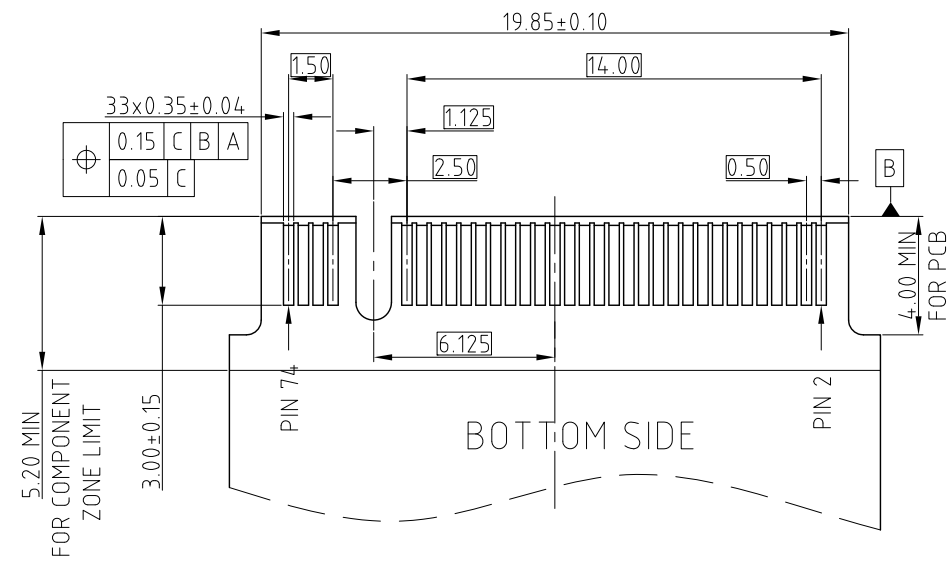
UNLESS OTHERWISE SPECIFIED TOLERANCES U.S. METRIC .X +/- 0.50 .XX +/- 0.25 .XXX +/- FRACTIONS +/- ANGLES +/- 5° FOR MATERIALS AND FINISHES SEE NOTES REMOVE SHARP EDGES DIMENSIONS U.S. INCHES (METRIC) (MM)	APPROVAL		DATE		Amphenol TITLE MICRO COOL EDGE 75PIN RIGHT ANGLE NF1/NGSFF 0.5mm PITCH CONNECTOR SIZE DRAWING NO. REV. A3 C MD3670M02006111 3 SCALE NONE SHEET 1 OF 3
	DRAWN	Yunx.liu	Jul.10,2018		
	CHECKED	Ly.yi	Jul.10,2018		
	APPROVED				
DRAWING FILE :		DRAWING\MDT\CMD3670M02006111			
ANGLE OF PROJECTION					

This document is the property of Amphenol Corporation and is delivered on the express condition that it is not to be disclosed, reproduced or used, in whole or in part, for manufacture or sale by anyone other than Amphenol Corporation without its prior consent, & that no right is granted to disclose or to use any information in this document.

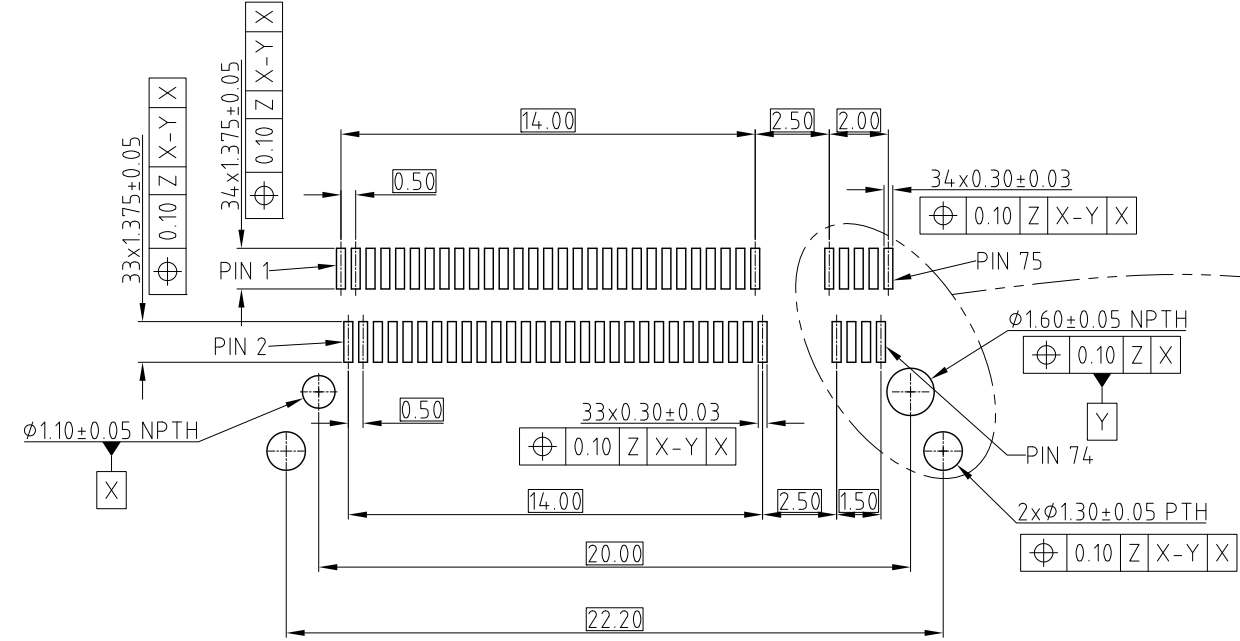
CUSTOMER DRAWING

REVISIONS

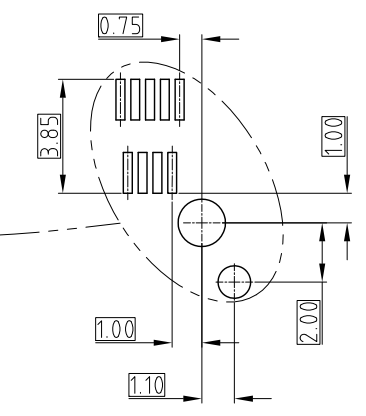
SYM	ECN	DESCRIPTION	DATE	APPROVED
		SEE SHEET 1		



RECOMMENDED MODULE CARD



RECOMMENDED PCB LAYOUT (TOP VIEW)
DATUM Z: PCB SOLDER SURFACE



UNLESS OTHERWISE SPECIFIED TOLERANCES	
U.S.	METRIC
.X +/-	0.50
.XX +/-	0.25
.XXX +/-	
FRACTIONS +/-	
ANGLES +/-	5°

APPROVAL		DATE
DRAWN	Yunx.liu	Jul.10,2018
CHECKED	Ly.yi	Jul.10,2018
APPROVED		
DRAWING FILE :		
DRAWING\MDT\CMD3670M02006111		
ANGLE OF PROJECTION		

Amphenol		
TITLE		
MICRO COOL EDGE		
75PIN RIGHT ANGLE NF1/NGSFF 0.5mm PITCH CONNECTOR		
SIZE	DRAWING NO.	REV.
A3	C MD3670M02006111	3
SCALE	NONE	SHEET 2 OF 3

This document is the property of Amphenol Corporation and is delivered on the express condition that it is not to be disclosed, reproduced or used, in whole or in part, for manufacture or sale by anyone other than Amphenol Corporation without its prior consent, & that no right is granted to disclose or to use any information in this document.

CUSTOMER DRAWING

REVISIONS				
SYM	ECN	DESCRIPTION	DATE	APPROVED
		SEE SHEET 1		

Foot Print Pin Number	Interface Pin Number	NGSFF Socket 3 PCIe (m-Key, 1Port x4Lane)		Interface Pin Number	Foot Print Pin Number
74	74	74	N/C	75	75
72	72	72	N/C	73	73
70	70	70	N/C	71	71
68	68	68	SUSCLK(32KHz)	69	69
66(Blank)	66(Blank)	66	Module Key M	67	67
64(Blank)	64(Blank)	64	Module Key M	65(Blank)	65(Blank)
62(Blank)	62(Blank)	62	Module Key M	63(Blank)	63(Blank)
60(Blank)	60(Blank)	60	Module Key M	61(Blank)	61(Blank)
58	58	58	Reserved MFG_CLOCK	59(Blank)	59(Blank)
56	56	56	Reserved MFG_DATA	57	57
54	54	54	REWAKE#	55	55
52	52	52	CLKREQ#	53	53
50	50	50	PERST#0	51	51
48	48	48	N/C	49	49
46	46	46	N/C	47	47
44	44	44	ALERT#(0)(0/3.3V)	45	45
42	42	42	SMB_DATA(I/O)(0/3.3V)	43	43
40	40	40	SMB_CLK(I/O)(0/3.3V)	41	41
38	38	38	N/C	39	39
36	36	36	12V (Pre-Charge)	37	37
34	34	34	12V	35	35
32	32	32	12V	33	33
30	30	30	12V	31	31
28	28	28	PWDIS	29	29
26	26	26	GND	27	27
24	24	24	N/C	25	25
22	22	22	N/C	23	23
20	20	20	GND	21	21
18	18	18	N/C	19	19
16	16	16	N/C	17	17
14	14	14	N/C	15	15
12	12	12	3.3Vaux	13	13
10	10	10	LED1#	11	11
8	8	8	N/C	9	9
6	6	6	PRSNT2#	7	7
4	4	4	N/C	5	5
2	2	2	N/C	3	3
				1	1



UNLESS OTHERWISE SPECIFIED TOLERANCES U.S. METRIC .X +/- / 0.50 .XX +/- / 0.25 .XXX +/- FRACTIONS +/- ANGLES +/- 5° FOR MATERIALS AND FINISHES REMOVE SHARP EDGES DIMENSIONS U.S. INCHES (METRIC) (MM)	APPROVAL		DATE	Amphenol TITLE MICRO COOL EDGE 75PIN RIGHT ANGLE NF1/NGSFF 0.5mm PITCH CONNECTOR SIZE DRAWING NO. REV. A3 C MD3670M02006111 3 SCALE NONE SHEET 3 OF 3
	DRAWN	Yunx.liu	Jul.10,2018	
	CHECKED	Ly.yi	Jul.10,2018	
	APPROVED			
DRAWING FILE :		DRAWING\MDT\CMD3670M02006111		
ANGLE OF PROJECTION				