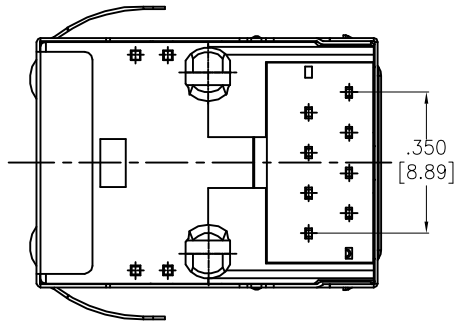
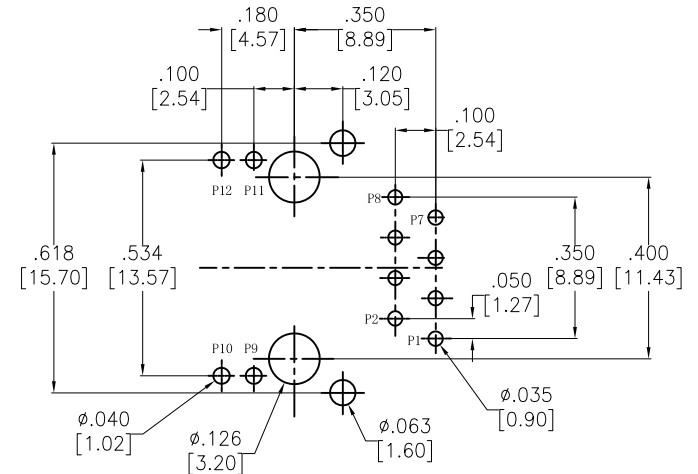
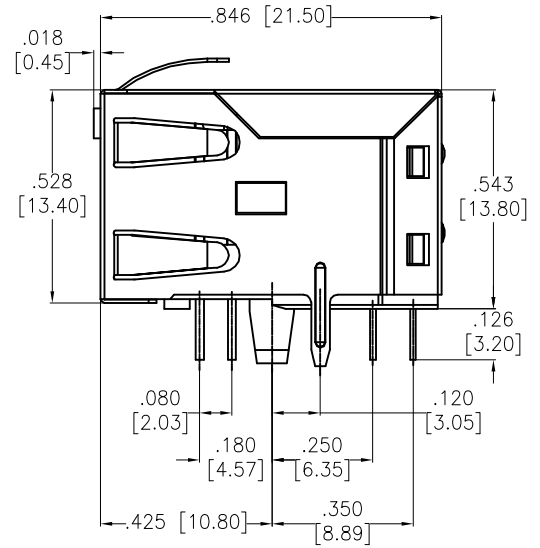
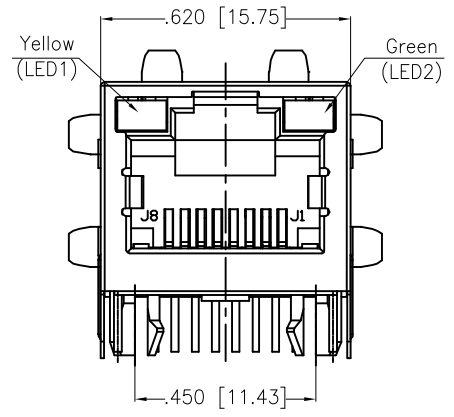


Rev	AWO #	Description	Date	Appr
-		RELEASED	11/12/18	

APPROVED: _____
 DATE: _____ TITLE: _____



RECOMMENDED PCB LAYOUT

SPECIFICATIONS:
 Material:
 Housing: PA66, rated UL 94V-0, Color: Black
 Insert: PBT, rated UL 94V-0, Color: Black
 Contacts: Copper Alloy
 Shield: Brass, Nickel plated
 Plating:
 Round contact
 Gold over Nickel underplate overall
 Flat contact
 Gold over Nickel underplate on contact area,
 Tin over Nickel underplate on solder tails
 (See chart for thickness)
 Electrical:
Voltage rating: 150 VAC
Contact Resistance: 20 mohms max
Insulation resistance: 500 Mohms min
Dielectric withstanding voltage: 1500 VAC or 2250 VDC
 Temperature Rating:
Operating temperature: -0°C to +70°C
 Environmental:
Lead free, RoHS compliant.



UNLESS OTHERWISE SPECIFIED
 ALL DIMENSIONS ARE INCHES [MM]
 TOLERANCES: EXCEPT AS NOTED

.X ± .10	∅X ± .10
.XX ± .020	∅XX ± .015
.XXX ± .015	∅XXX ± .010

APPROVALS		DATE
DRAWN	AY	11/12/18
CHECKED	NL	11/12/18
APPROVED		

ADAM TECH INTERCONNECTS

909 Rahway Avenue,
 Union, NJ 07083
 Phone: 908-687-5000
 Fax: 908-687-5710

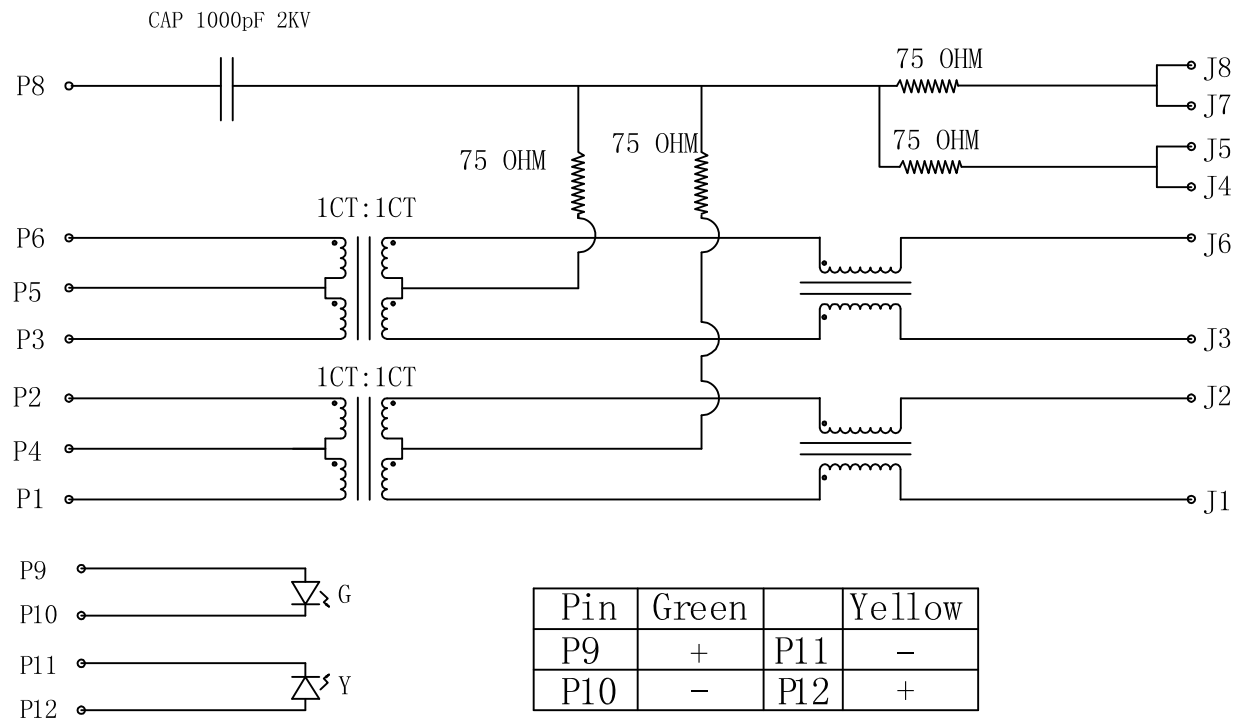
TITLE: **MODULAR TELEPHONE JACK, 1 PORT, 8P8C
 W/ LED1 YELLOW, LED2 GREEN**

SIZE	PART NO.	REV.
X	MTJ-88TUX1-FSD-PG-VLG1-M4C	-

REF: S00005C SCALE: NTS SHEET 1 OF 2

APPROVED: _____
 DATE: _____ TITLE: _____

Rev	AWO #	Description	Date	Appr
SEE SHT 1 OF 2 FOR REVISION				



Electronical Specifications:

- Turn Ratio @100KHz: (P1~P2):(J1~J2) = 1:1±5%
(P3~P6):(J3~J6) = 1:1±5%
- Primary Inductance: 350uH MIN @100KHZ,0.1V 8mA DC BIAS
- DC Resistance:(J1~J2):(J3~J6) 1.2 OHMS MAX
- Insertion Loss: 1-100MHz -1.2dB MAX
- Return Loss: 1-30MHz -16dB MIN
30-60MHz -12dB MIN
60-80MHz -10dB MIN
- CROSS TALK: 1-100MHz -30dB MIN
- COMMON TO COMMON MODE ATTENUATION: 1-100MHz -30dB MIN
- Isolation: PHY Side to Line Side: 1500VAC or 2250VDC

UNLESS OTHERWISE SPECIFIED
 ALL DIMENSIONS ARE INCHES [MM]
 TOLERANCES: EXCEPT AS NOTED
 INCHES HOLES

.X ± .10	Ø.X ± .10
.XX ± .020	Ø.XX ± .015
.XXX ± .015	Ø.XXX ± .010

APPROVALS		DATE
DRAWN	AY	11/12/18
CHECKED	NL	11/12/18
APPROVED		

ADAM TECH INTERCONNECTS

909 Rahway Avenue,
 Union, NJ 07083
 Phone: 908-687-5000
 Fax: 908-687-5710

TITLE MODULAR TELEPHONE JACK, 1 PORT, 8P8C W/ LED1 YELLOW, LED2 GREEN		
SIZE X	PART NO. MTJ-88TUX1-FSD-PG-VLG1-M4C	REV. -
REF: S00005C	SCALE: NTS	SHEET 2 OF 2