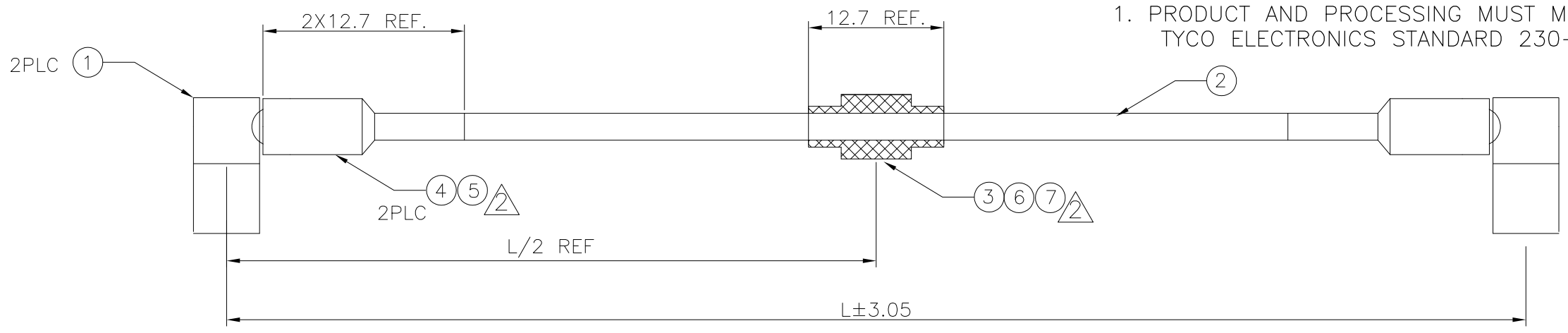


THIS DRAWING IS UNPUBLISHED. RELEASED FOR PUBLICATION --,14AUG07
 © COPYRIGHT - BY TYCO ELECTRONICS CORPORATION. ALL RIGHTS RESERVED.

LOC	DIST	REVISIONS					
GP	00	P	LTR	DESCRIPTION	DATE	DWN	APVD
		A		NEW RELEASE	14AUG07	WJQ	LZ
		B		ADD -8 & -9	12MAR09	MK	GG
		C		ADD RED DUAL WALL HST, CHANGE LR REQUIREMENTS FOR -007&-009, ADD NEW PN -011.	03APR09	MK	GG



1. PRODUCT AND PROCESSING MUST MEET REQUIREMENTS OF TYCO ELECTRONICS STANDARD 230-702.

TABLE II: "L" TABULATION

MOTOROLA P/N	TE P/N	"L" DIM	HST
535301-001	6772459-1	88.9	BLACK
535301-002	6772459-2	101.6	BLACK
535301-003	6772459-3	127.0	BLACK
535301-004	6772459-4	88.9	RED
535301-005	6772459-5	101.6	RED
535301-006	6772459-6	127.0	RED
535301-007	6772459-7	228.6	RED
535301-008	6772459-8	457.2	RED
535301-009	6772459-9	228.6	BLACK
535301-011	1-6772459-1	279.4	RED

TABLE I: ELECTRICAL REQUIREMENTS

PARAMETER	SPECIFICATION	COMMENTS
BANDWIDTH	5MHz~1003MHz	-
FLATNESS	±0.2dB MAX	MEASURED RELATIVE TO SLOPE ACROSS BANDWIDTH
INSERTION LOSS	0.7dB MAX.	MEASURED OVER ENTIRE BANDWIDTH
RETURE LOSS	27 dB MIN. 28 dB MIN. FOR -007&-009	MEASURED OVER ENTIRE BANDWIDTH

										CUSTOMER		MOTOROLA	
										MOTOROLA DWG REV		D	
--	--	--	--	--	--	--	--	--	--	A/R	SOLDER		7
--	0.016	--	--	--	--	--	0.016	0.016	0.016	MR	HST BLK DUEL WALL		6
0.016	--	0.016	0.016	0.016	0.016	0.016	--	--	--	MR	HST RED DUEL WALL		6
--	0.025	--	--	--	--	--	0.025	0.025	0.025	MR	HST, 5.0mm OD BLACK		5
0.025	--	0.025	0.025	0.025	0.025	0.025	--	--	--	MR	HST, 5.0mm OD RED		4
1	1	1	1	1	1	1	1	1	1	PC	FERRITE CORE		3
0.280	0.230	0.459	0.230	0.129	0.103	0.090	0.129	0.103	0.090	MR	COAXIAL CABLE RG179DS		2
2	2	2	2	2	2	2	2	2	2	PC	SMB R/A PLUG		1
1-1	-9	-8	-7	-6	-5	-4	-3	-2	-1	U/M	DESCRIPTION		ITEM

- NOTES:
 1. ELECTRICAL PARAMETERS: SEE TABLE I.
 HEAT SHRINK TUBING COLOR PER TABLE II
 3. 100% TEST CONTINUITY, OPEN & SHORTS

THIS DRAWING IS A CONTROLLED DOCUMENT.

DIMENSIONS: mm [INCHES]	TOLERANCES UNLESS OTHERWISE SPECIFIED:	DWN Mac King 12MAR09	Tyco Electronics Corporation Harrisburg, PA 17105-3608
	0 PLC ± -	CHK Lessie Zhang 12MAR09	
	1 PLC ± -	APVD Glen Gutgold 12MAR09	
	2 PLC ± -	NAME	
MATERIAL	FINISH	PRODUCT SPEC	ASSEMBLY, RF CABLE, SG4000, ROHS
		APPLICATION SPEC	SIZE CAGE CODE DRAWING NO RESTRICTED TO
		WEIGHT	A3 00779 C-6772459
CUSTOMER DRAWING			SCALE N.T.S. SHEET 1 OF 1 REV C