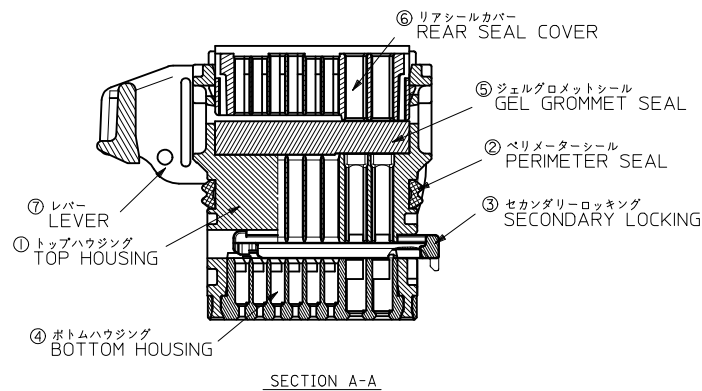


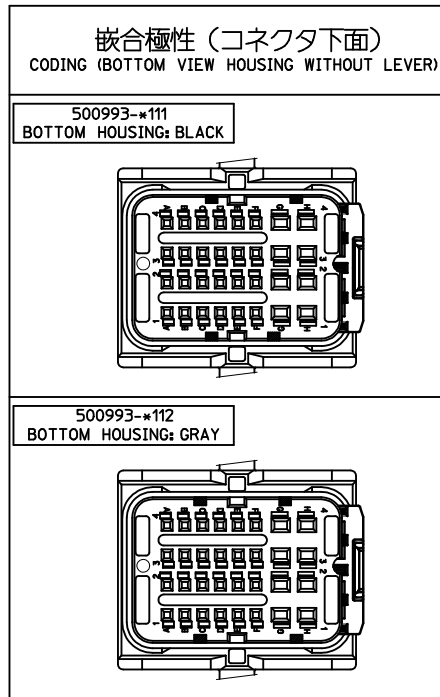
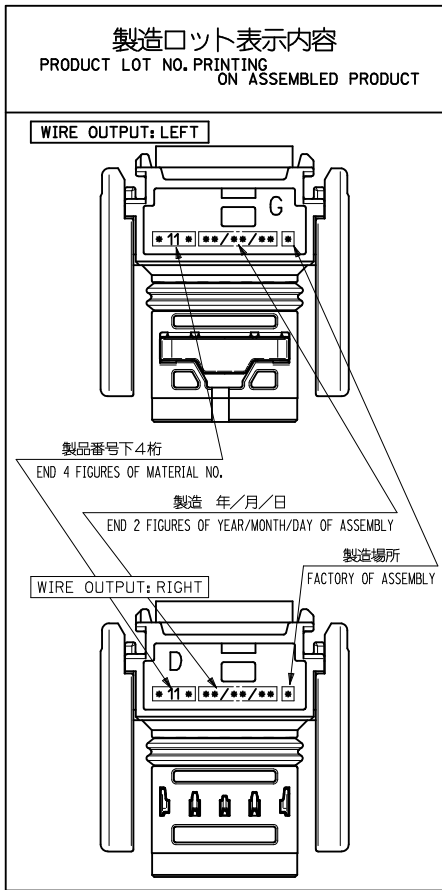
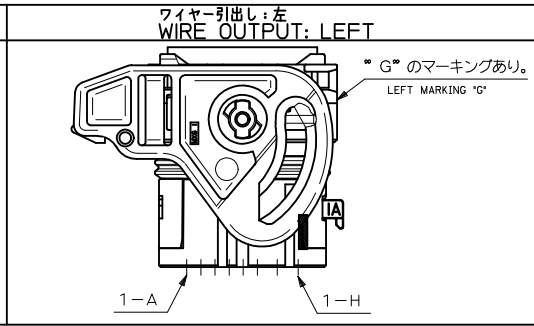
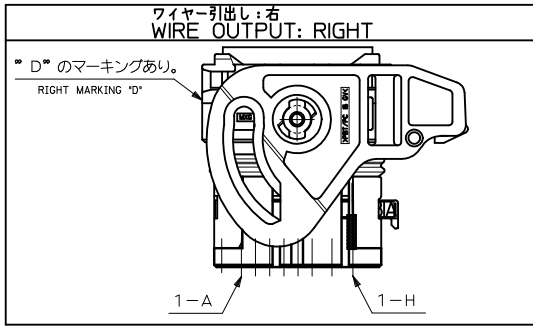
注記
NOTES

- 適合端子:
APPLICABLE TERMINAL:
信号部 (025端子)
FOR SIGNAL (025 TERMINAL)
MOX 0.63 TERMINAL 98658-1211
電源部 (060端子)
FOR POWER SUPPLY (060 TERMINAL)
MOX 1.5 TERMINAL 98195-1211, 98195-1212, 98195-1213
- 適合ワイヤーキャップ:
APPLICABLE WIRE CAP: 98649-1001
- コネクタの取り扱い、使用方法等についてはアプリケーション仕様書AS-500993-001を参照下さい。
PLEASE REFER TO APPLICATION SPECIFICATION AS-500993-001 FOR HANDLING AND USING.



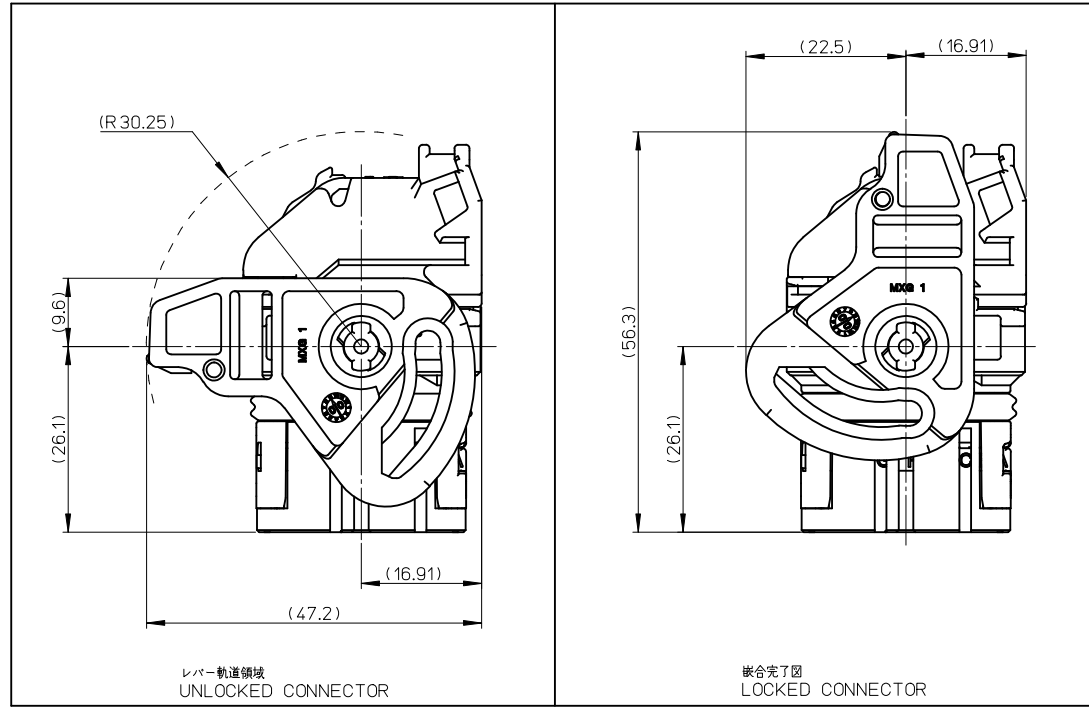
左 LEFT	500993-5112	灰 GRAY
	500993-5111	黒 BLACK
右 RIGHT	500993-4112	灰 GRAY
	500993-4111	黒 BLACK
ワイヤ取出し方向(レバー方向) WIRE OUTPUT DIRECTION (LEVER DIRECTION)	型番 MATERIAL NO.	色 COLOR

REVISED & REDRAWN EC NO: JTR2010-0117 DRWN: SINAOKA 2010/07/26 CHKD: SANDO 2010/07/27 APPR: MAYAMOTO 2010/07/28	GENERAL TOLERANCES (UNLESS SPECIFIED)		DIMENSION STYLE MM ONLY		SCALE 2:1	DESIGN UNITS METRIC	THIRD ANGLE PROJECTION
	10 UNDER	±0.2	DRAWN BY SINAOKA	DATE 2010/07/26	TITLE CMC REC. ASSY 32PIN (MOX1.5)		
	10 OVER 30 UNDER	±0.25	CHECKED BY SANDO	DATE 2010/07/27	APPROVED BY MAYAMOTO		
	30 OVER	±0.3	DATE 2010/07/27	MATERIAL NO. DOCUMENT NO. MOLEX MOLEX INCORPORATED			
ANGULAR ±1 °		DRAFT WHERE APPLICABLE MUST REMAIN WITHIN DIMENSIONS		SEE TABLE		SD-500993-004	SHEET NO. 1 OF 3
SIZE A2 THIS DRAWING CONTAINS INFORMATION THAT IS PROPRIETARY TO MOLEX INCORPORATED AND SHOULD NOT BE USED WITHOUT WRITTEN PERMISSION							



①	トップハウジング TOP HOUSING	ポリエステル ガラス充填 PBT G.F.	黒 BLACK
②	ペリメーターシール PERIMETER SEAL	シリコン SILICONE	青 BLUE
③	セカンダリロッキング SECONDARY LOCKING	ポリエステル ガラス充填 PBT G.F.	灰 GRAY
④	ボトムハウジング BOTTOM HOUSING	ポリエステル ガラス充填 PBT G.F.	SHEET1 表参照 SEE CHART(SHEET1)
⑤	ジェルグロメットシール GEL GTOMMET SEAL	シリコン SILICONE	青 BLUE
⑥	リアシールカバー REAR SEAL COVER	ポリエステル ガラス充填 PBT G.F.	緑 GREEN
⑦	レバー LEVER	ポリエステル/ポリカーボネート ガラス充填 PBT/PC G.F.	灰 GRAY
	部品名 PART NAME	材質 MATERIAL	色 COLOR

REVISED & REDRAWN EC NO: JTR2010-017 DRAWN: INAKA 2010/07/26 CHKD: SANDO 2010/07/27 APPR: MAYAMOTO 2010/07/28	GENERAL TOLERANCES (UNLESS SPECIFIED)		DIMENSION STYLE MM ONLY		SCALE 2:1	DESIGN UNITS METRIC	THIRD ANGLE PROJECTION
	10 UNDER	±0.2	DRAWN BY SINAKA	DATE 2010/07/26	TITLE CMC REC. ASSY 32PIN (MOX1.5)		
10 OVER 30 UNDER	±0.25	CHECKED BY SANDO	DATE 2010/07/27	MOLEX INCORPORATED			
30 OVER	±0.3	APPROVED BY MAYAMOTO	DATE 2010/07/27				
ANGULAR	±1 °	MATERIAL NO.		SEE SHEET NO.1	DOCUMENT NO.	SD-500993-004	
DRAFT WHERE APPLICABLE MUST REMAIN WITHIN DIMENSIONS		SIZE A2		THIS DRAWING CONTAINS INFORMATION THAT IS PROPRIETARY TO MOLEX INCORPORATED AND SHOULD NOT BE USED WITHOUT WRITTEN PERMISSION			



レバー軌道領域
UNLOCKED CONNECTOR

嵌合完了図
LOCKED CONNECTOR

REVISED & REDRAWN EC NO: JTR2010-017 DRAWN: SINAOKA 2010/07/26 CHKD: SANDO 2010/07/27 APPR: MAYAMAMOTO 2010/07/28	GENERAL TOLERANCES (UNLESS SPECIFIED)		DIMENSION STYLE MM ONLY		SCALE 2:1	DESIGN UNITS METRIC	THIRD ANGLE PROJECTION	
	10 UNDER	±0.2	DRAWN BY SINAOKA	DATE 2010/07/26	TITLE CMC REC. ASSY 32PIN (MOX1.5)			
	10 OVER 30 UNDER	±0.25	CHECKED BY SANDO	DATE 2010/07/27				
	30 OVER	±0.3	APPROVED BY MAYAMAMOTO	DATE 2010/07/27	MOLEX INCORPORATED DOCUMENT NO. SD-500993-004			
	ANGULAR	±1 °	MATERIAL NO.	SEE SHEET NO.1				
DRAFT WHERE APPLICABLE MUST REMAIN WITHIN DIMENSIONS		THIS DRAWING CONTAINS INFORMATION THAT IS PROPRIETARY TO MOLEX INCORPORATED AND SHOULD NOT BE USED WITHOUT WRITTEN PERMISSION						