

# Molded SMD Power Inductor



AMSLA-1050

Request Samples



Check Inventory



10.2 x7.0 x 5.0 mm  
RoHS/RoHS II Compliant  
MSL Level = 1

## Features

- Shielded construction
- Soft saturation
- High Power Density
- Low DCR, High Efficiency
- Designed for switching frequencies between 100KHz-2MHz

## Applications

- Desktop/ Server applications
- High current point-of-load (POL) converters
- Lighting
- Solar inverters and power
- Industrial and robotics
- Medium and high-power switch mode power supplies.

## Electrical Specifications

Part Number	Inductance	Tolerance	DC Resistance	Saturation Current	Temperature Rise Current
	0.1MHz/1V		Max	Max	Max
Units	nH	%	mΩ	A	A
Symbol	L	M	DCR	Isat	Irms
AMSLA-1050-85N	85	20	0.42	70	50
AMSLA-1050-100N	100	20	0.42	70	50
AMSLA-1050-120N	120	20	0.42	52	50
AMSLA-1050-155N	155	20	0.42	40	50
AMSLA-1050-220N	220	20	0.42	33	50

### Test Conditions

**Isat:** DC current at which the inductance drops 20% from its value without current.

**Irms:** DC current that causes the temperature rise ( $\Delta T$ , approximate 40 °C) from 20°C ambient

**Operating Temperature:** -40°C ~ +125°C (including self-temperature rise)

**Storage Condition:** -40°C ~ +125°C (on board), -10°C ~ +40°C (with packaging), and R.H. 60 max

**Operating Voltage:** 12V (across inductor)

**AMSLA-1050 Series is RoHS Compliant and Pb free**

**AMSLA-1050 is commercial grade.**

# Molded SMD Power Inductor



AMSLA-1050

Request Samples

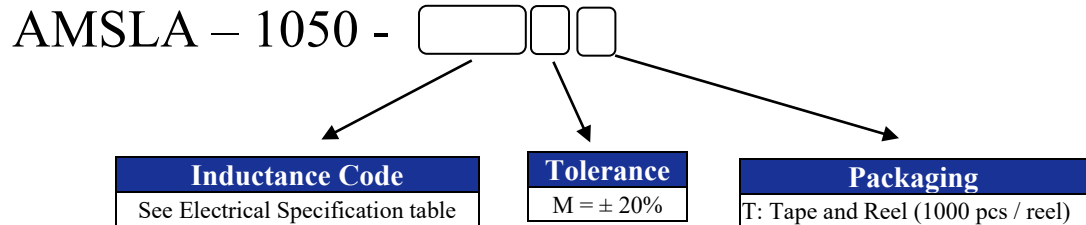


Check Inventory

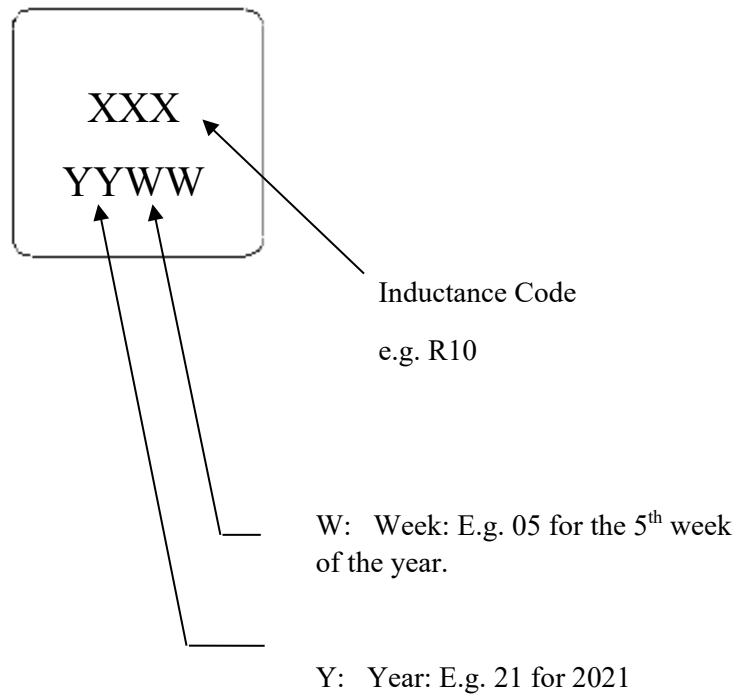


10.2 x7.0 x 5.0 mm  
RoHS/RoHS II Compliant  
MSL Level = 1

## Part Number Identification



## Marking



Marking Method = Ink Marking



5101 Hidden Creek Ln Spicewood TX 78669  
Phone: 512-371-6159 | Fax: 512-351-8858  
For terms and conditions of sales, please visit:  
[www.abracon.com](http://www.abracon.com)

REVISED: 06-07-22

ABRACON IS  
ISO9001-2015  
CERTIFIED

# Molded SMD Power Inductor



AMSLA-1050

Request Samples

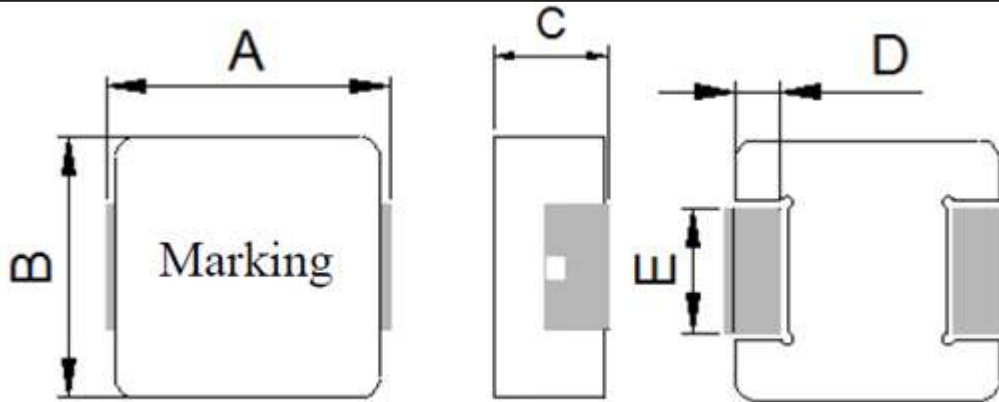


Check Inventory

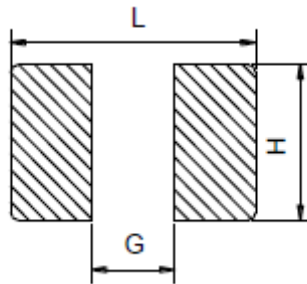


10.2 x 7.0 x 5.0 mm  
 RoHS/RoHS II Compliant  
 MSL Level = 1

## Mechanical Dimensions



Series	A	B	C	D	E
AMSLA-1050	10.2 MAX	7.0 MAX	5.0 MAX	1.3 ± 0.2	2.5 ± 0.3



L	G	H
10.35 Ref.	6.35 Ref.	3.0 Ref.

Dimensions: mm



5101 Hidden Creek Ln Spicewood TX 78669  
 Phone: 512-371-6159 | Fax: 512-351-8858  
 For terms and conditions of sales, please visit:  
[www.abracon.com](http://www.abracon.com)

REVISED: 06-07-22

ABRACON IS  
 ISO9001-2015  
 CERTIFIED

# Molded SMD Power Inductor



AMSLA-1050

Request Samples

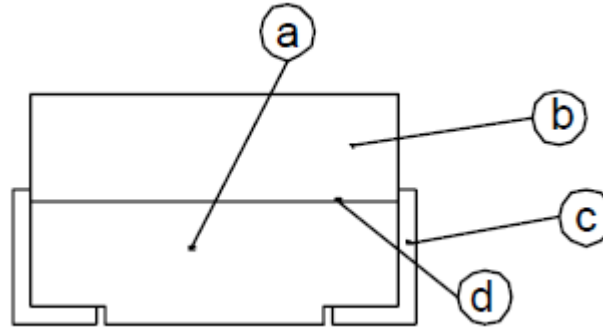


Check Inventory



10.2 x7.0 x 5.0 mm  
RoHS/RoHS II Compliant  
MSL Level = 1

## Materials



	Components	Material
a	Core	Manganese-Zinc Ferrite
b	Core	Manganese-Zinc Ferrite
c	Electrode	Nickel-Tin
d	Adhesive (Top)	KAA11700xx (Black)
e	Adhesive (Bottom)	6030H (Black)

# Molded SMD Power Inductor



**AMSLA-1050**

Request Samples

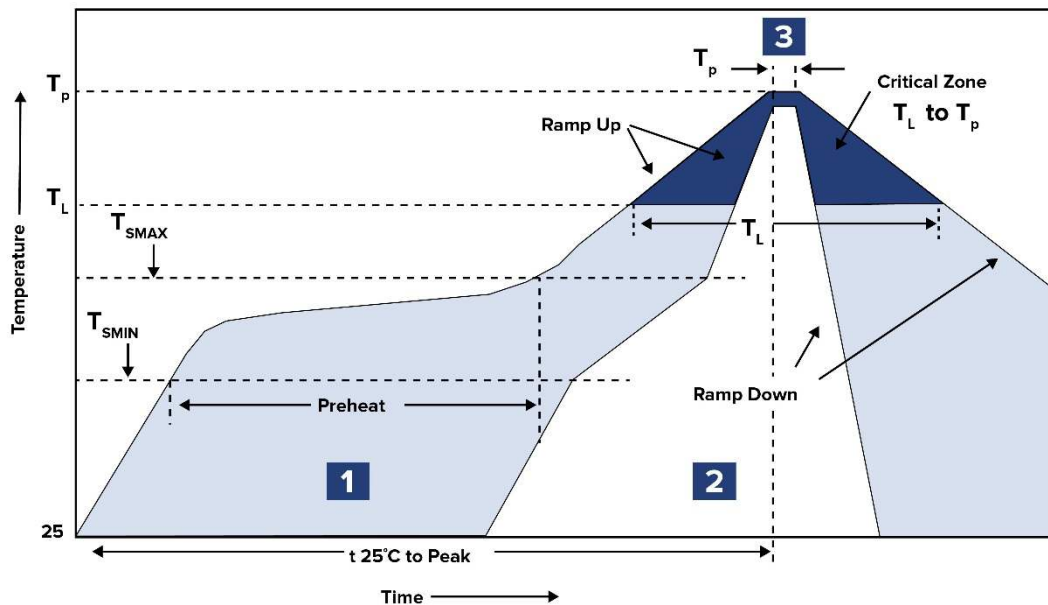


Check Inventory



**10.2 x7.0 x 5.0 mm**  
**RoHS/RoHS II Compliant**  
**MSL Level = 1**

## Reflow Profile



Zone	Description	Temperature	Times
1	Preheat	$T_{SMIN} \sim T_{SMAX}$ 150°C ~ 200°C	60 ~ 120 sec.
2	Reflow	$T_L$ 217°C	60 ~ 150 sec.
3	Peak heat	$T_P$ 260°C	10 sec. MAX

# Molded SMD Power Inductor



**AMSLA-1050**

Request Samples



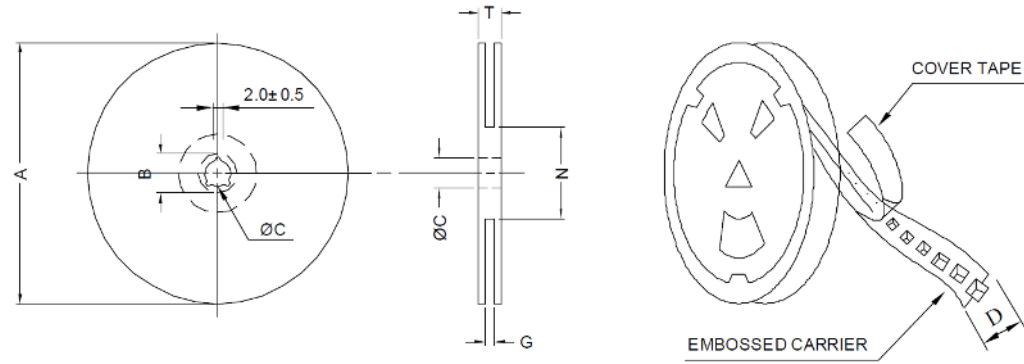
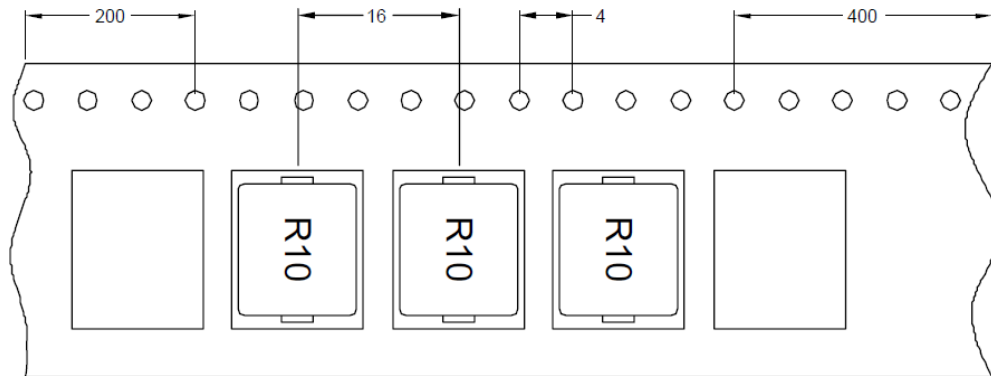
Check Inventory



**10.2 x 7.0 x 5.0 mm**  
**RoHS/RoHS II Compliant**  
**MSL Level = 1**

## Packaging

**Tape & Reel: 1000 pcs/reel**



A	B	C	D	G	N	T
330	21 ± 0.8	13.0	24.0	26.0	50.0	30.4

**ATTENTION:** Abracon LLC's products are COTS – Commercial-Off-The-Shelf products; suitable for Commercial, Industrial and, where designated, Automotive Applications. Abracon's products are not specifically designed for Military, Aviation, Aerospace, Life-dependent Medical applications or any application requiring high reliability where component failure could result in loss of life and/or property. For applications requiring high reliability and/or presenting an extreme operating environment, written consent and authorization from Abracon LLC is required. Please contact Abracon LLC for more information.



5101 Hidden Creek Ln Spicewood TX 78669  
 Phone: 512-371-6159 | Fax: 512-351-8858  
 For terms and conditions of sales, please visit:  
[www.abracon.com](http://www.abracon.com)

**REVISED: 06-07-22**

ABRACON IS  
 ISO9001-2015  
 CERTIFIED