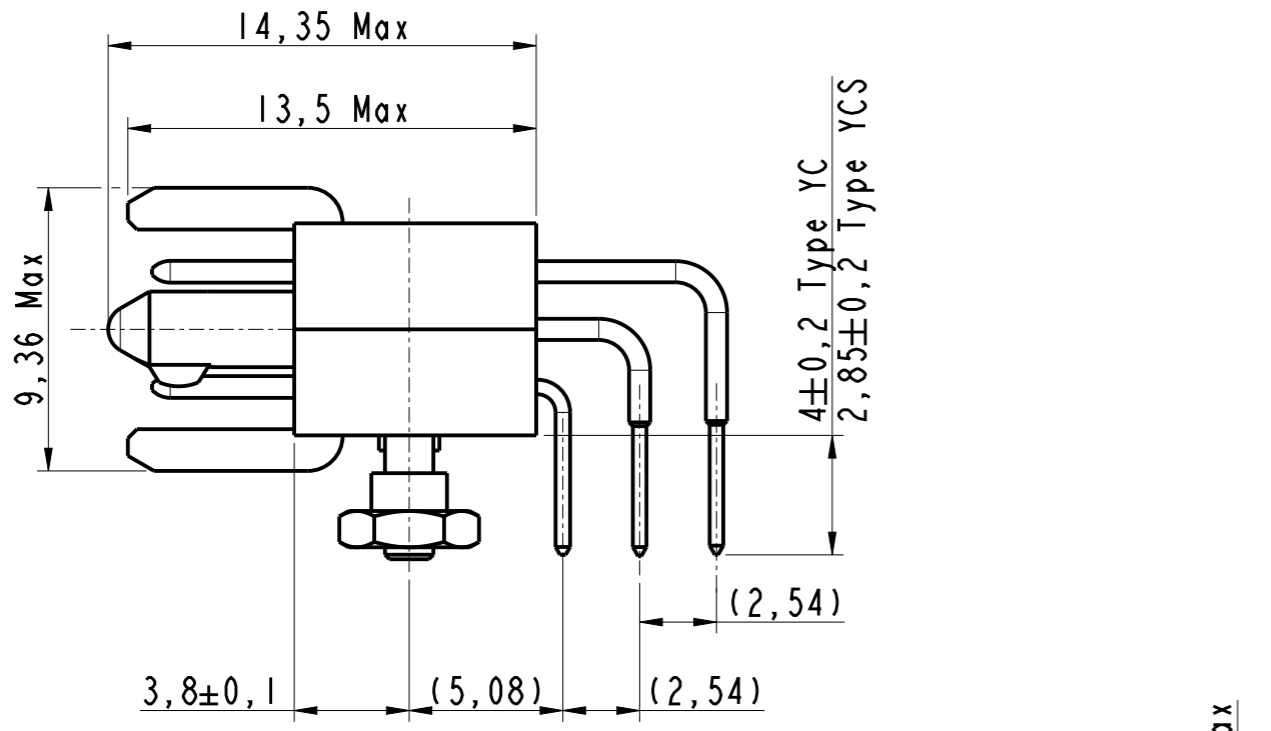
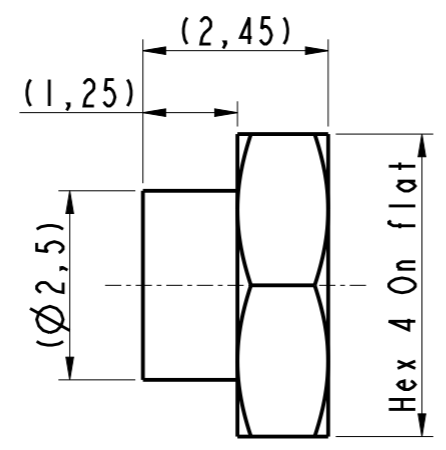
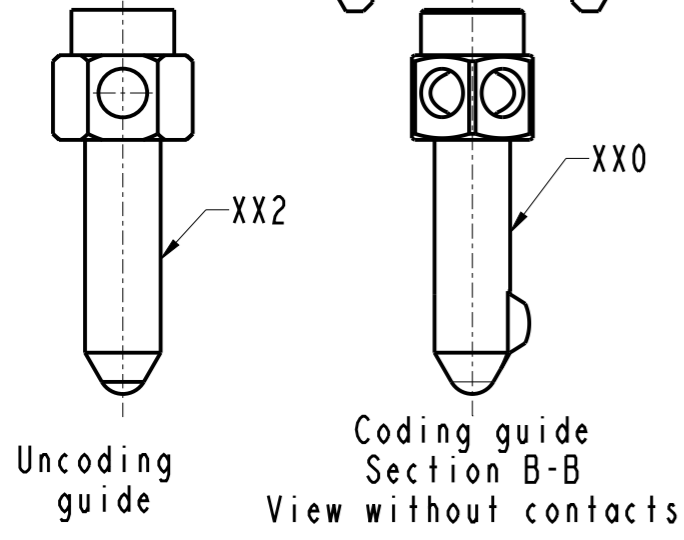
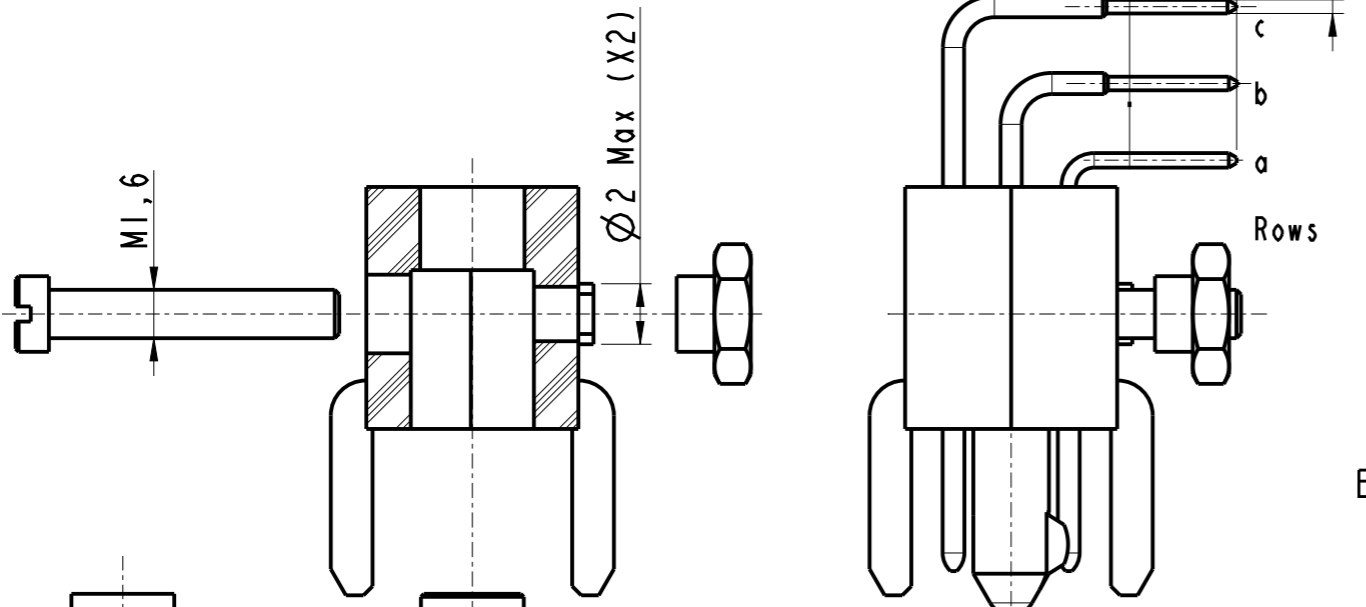


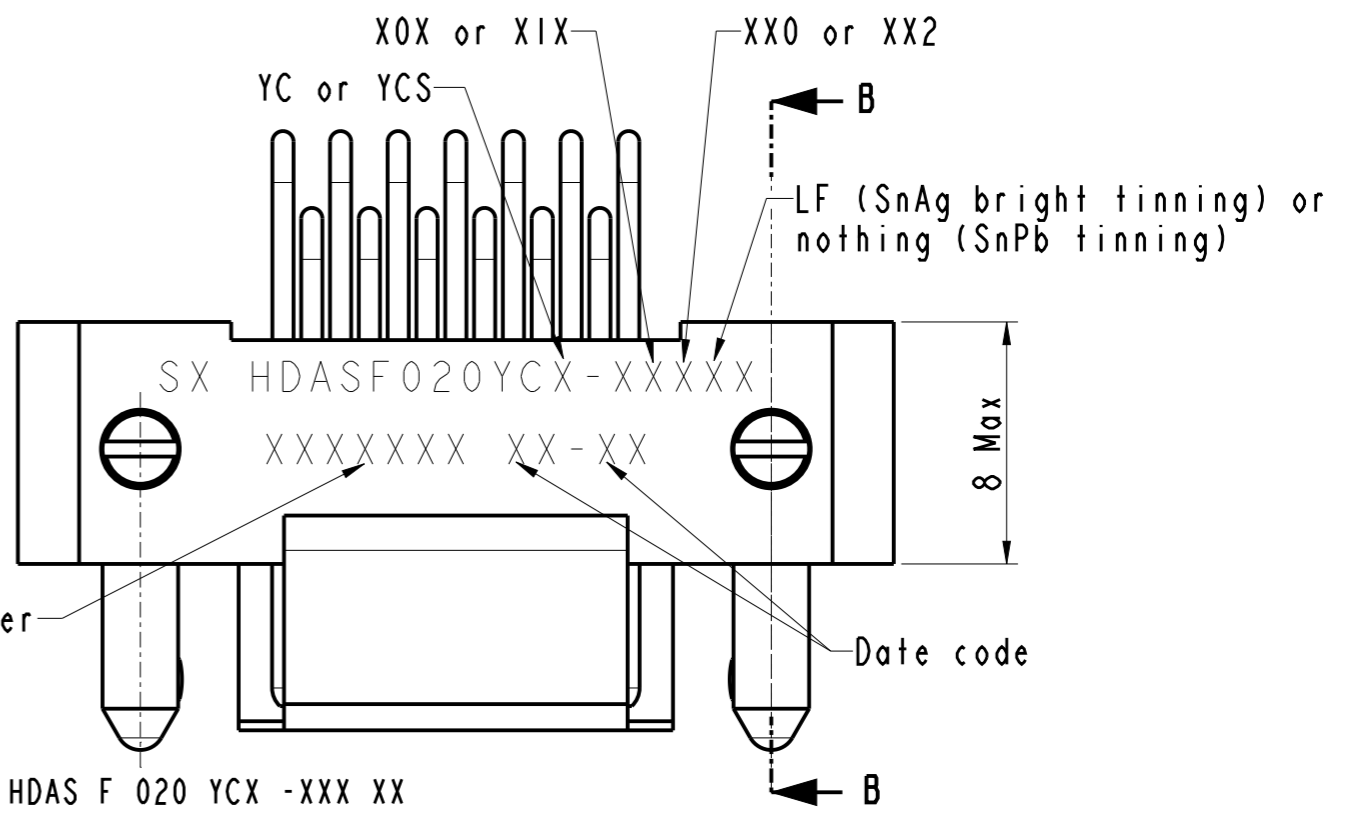
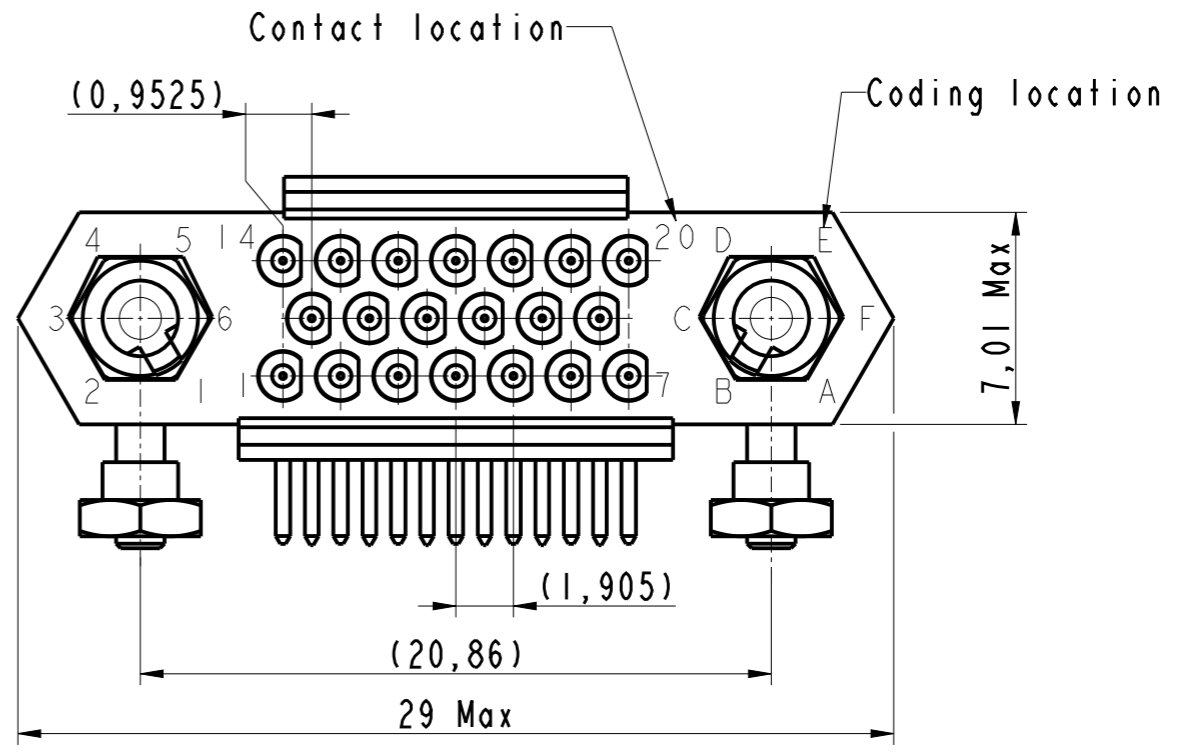
IN THE CONSTANT PURPOSE OF IMPROVING ITS PRODUCTS, AMPHENOL SOCAPEX RESERVES THE RIGHT TO MODIFY ANY DIMENSION OR CHARACTERISTICS.
 FM.NPD.0036.THYEZ.PUNE rev C



Tinning: deviation-XIX
 2 Min for YCS
 3 Min for YC



Shoulder nut
 Scale 10



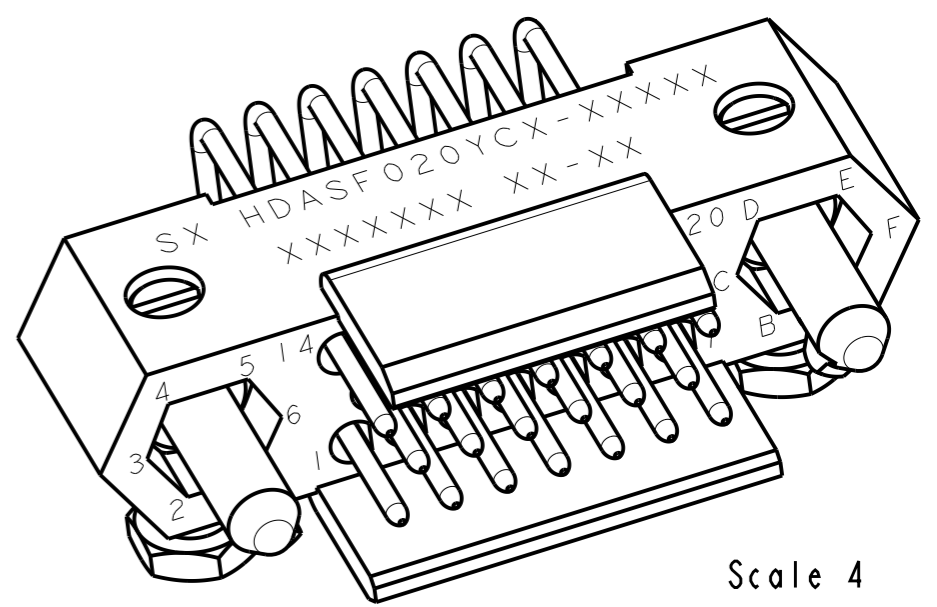
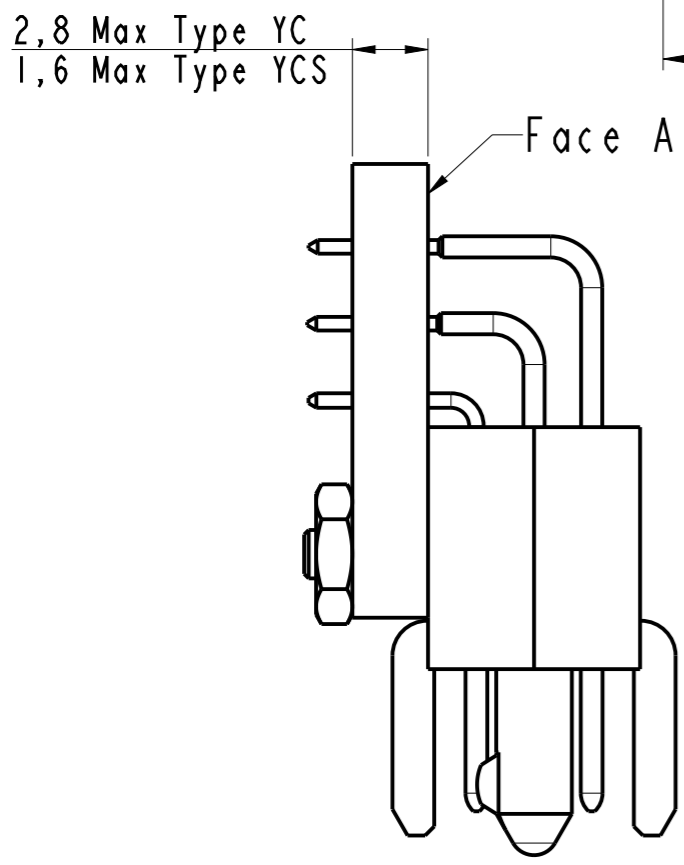
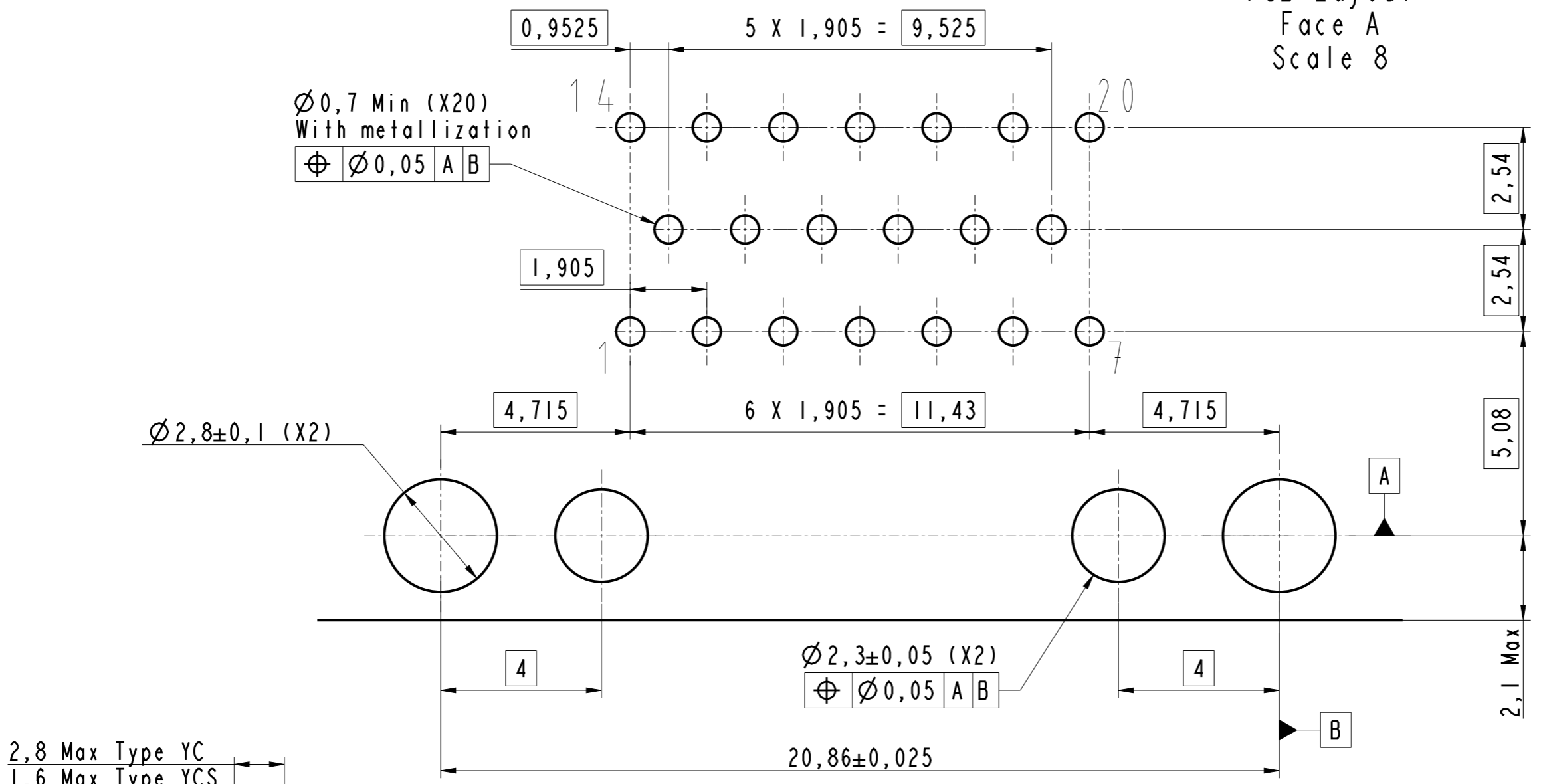
Notes:

- Part : HDAS F 020 YCX -XXX XX
- External dimensions for a male plug with 20 signal contacts type YCX
- Connector delivered with fittings not assembled, coupling torque : 0,15 Nm
- Standard OXX : Nickel plated over brass fittings.
 Deviation IXX : Passivated stainless steel fittings.
- Standard XOX : Contacts gold plated (RoHS)
 Deviation XIX : Contacts fail Hot dip tinned SnPb (non RoHS) or SnAg (RoHS)

DRAWN BY: S Satpute	UPDATED BY: S Satpute	LAST APPROVED BY: T Carrier	
ALL DIMENSIONS ARE IN MM	AMPHENOL SOCAPEX		ORIGINAL DRAWING DATE: 04/09/19
SCALE: 4			CONFIGURATION DATA ARE AVAILABLE IN PDM
	B.P. 29 74311 THYEZ CEDEX		REV: C PAGE: 1/2
			169-PLC-1466-00

IN THE CONSTANT PURPOSE OF IMPROVING ITS PRODUCTS, Amphenol Socapex reserves the right to modify any dimension or characteristics. FM.NPD.0036.THYEZ.PUNE rev C

PCB Layout
Face A
Scale 8



DRAWN BY : S Satpute		UPDATED BY : S Satpute		LAST APPROVED BY : T Carrier	
ALL DIMENSIONS ARE IN MM		AMPHENOL SOCAPEX		ORIGINAL DRAWING DATE : 04/09/19	CONFIGURATION DATA ARE AVAILABLE IN PDM
SCALE : 8				REV : C	PAGE : 2/2
		B.P. 29 74311 THYEZ CEDEX		169-PLC-1466-00	