

DO NOT SCALE ALL DIMENSIONS ARE FOR REFERENCE ONLY

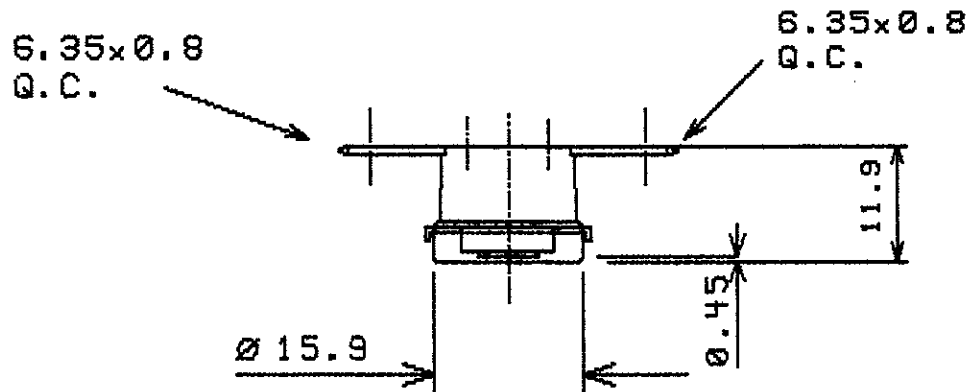
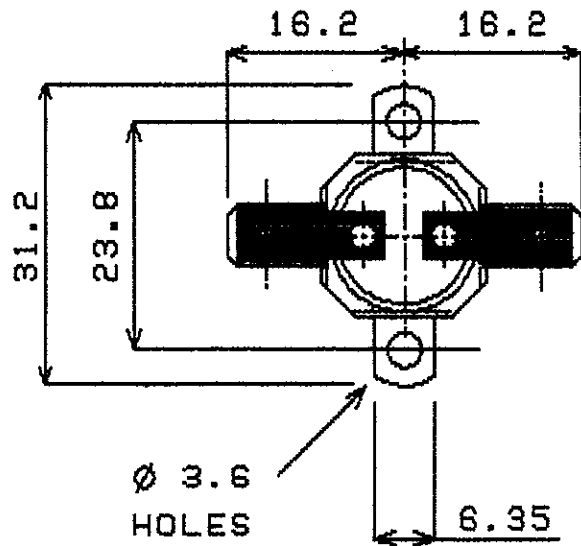
OPERATING CRITERIA

VOLTS: 240 AMPS: 10 HZ:

OPERATING TEMPS. DEG. C


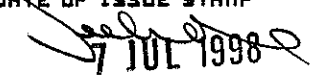
OPEN: 110 ± 4

CLOSE: 95 ± 5



NOTE: ORIENTATION OF BRACKET IS NOT FIXED

ISSUE	A	B							
MOD No	0052	0050							
MTH/YR	3/97	7/98							

<p><u>CODING REQUIREMENTS</u> COLOUR: LASER CODE L110C RP 9100 439 XXX (XXX = DATE CODING)</p>	<p>CAP: 8200 MAT'L: ALUMINIUM BRK/T: 82036 MAT'L: STEEL PLATING: NICKEL</p>	<p>ELMWOOD DEVICE & UNIQUE PART No. 2455RP-9100-439</p>	<p>ELMWOOD DRG No. 965207</p>	<p>ISSUE B</p>
	<p>TERMINAL: T146 : T146 MATERIAL: BRASS : BRASS PLATING: NICKEL : NICKEL</p>	<p> ELMWOOD SENSORS LTD</p>	<p>DATE OF ISSUE STAMP  7 JUL 1998</p>	