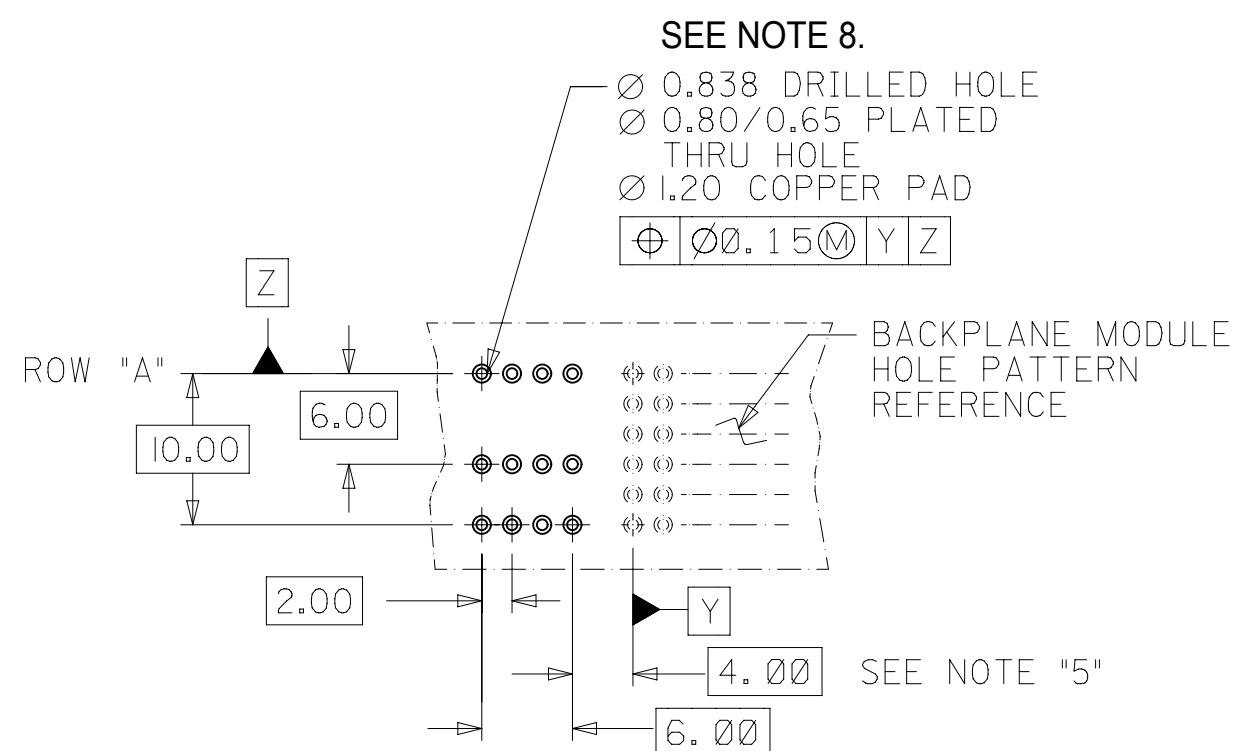
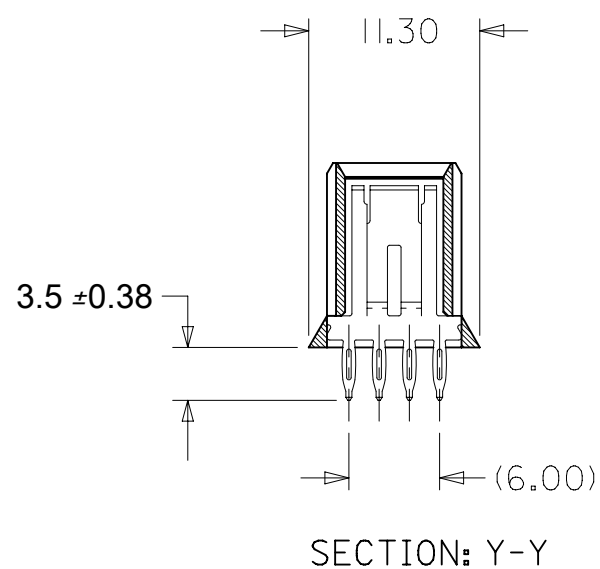
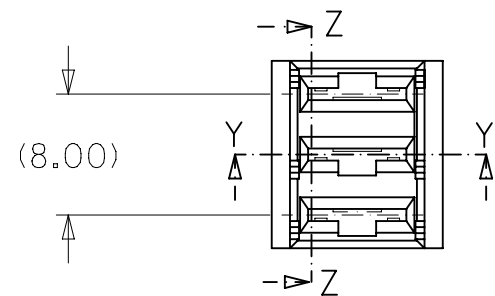
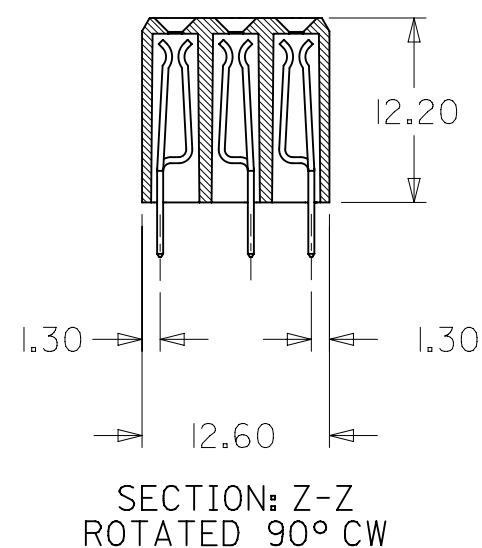
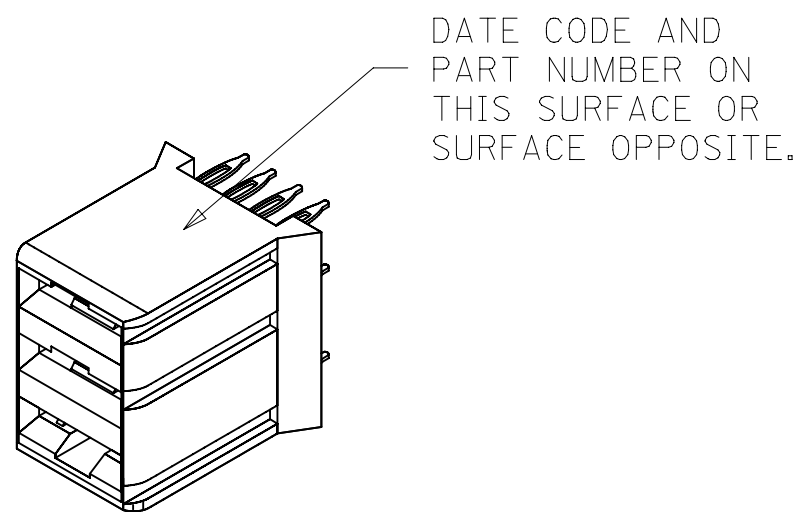


ASSEMBLY NUMBER	FINISH
73656-0000	SEE NOTE 2.
73656-0001	SEE NOTE 3.



PCB LAYOUT: COMPONENT SIDE
RECOMMENDED PCB THICKNESS: 2.50 MIN

NOTES:

- MATERIALS: HOUSING - LIQUID CRYSTAL POLYMER (LCP), GLASS-FILLED, UL94V-0, COLOR: BLACK
TERMINAL - COPPER ALLOY
- FINISH: SELECTIVE GOLD (Au) IN CONTACT AREA, 0.76 micrometer
MINIMUM THICKNESS: NICKEL (Ni) AND GOLD FLASH OVERALL
- FINISH: SELECTIVE GOLD (Au) IN CONTACT AREA, 0.76 micrometer
MINIMUM THICKNESS: MATTE TIN (Sn) OVER NICKEL (Ni)
IN COMPLIANT AREA: NICKEL (Ni) OVERALL ON REMAINING
WITH SELECTIVE GOLD (Au) FLASH.
- THIS DIMENSION MUST BE A MULTIPLE OF 4.00 mm.
- DIMENSIONS ARE IN MILLIMETERS.
- THIS PART CONFORMS TO MOLEX PRODUCT SPECIFICATION PS-73670-9999.
- PACKAGE ASSEMBLIES PER PK-70873-0819.
- HOLE SIZE SPECIFICATION IS FOR TIN/LEAD PLATED HOLES ONLY.
FOR OTHER PLATING TYPES SEE MOLEX APPLICATION AS-73670-9996.
- THIS PART CONFORMS TO MOLEX COSMETIC SPECIFICATION PS-45499-002 CLASS B.

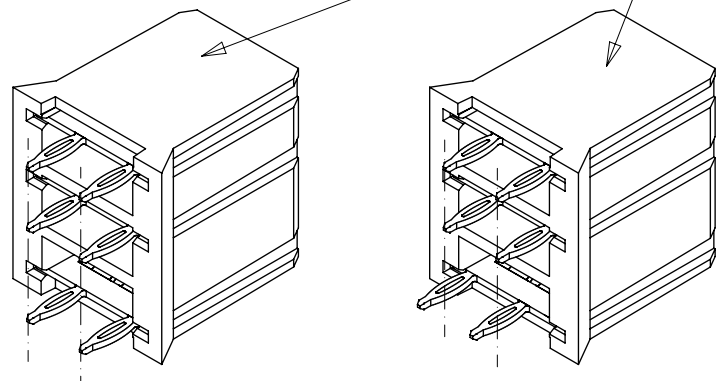
SYMBOLS		THIS DRAWING CONTAINS INFORMATION THAT IS PROPRIETARY TO MOLEX ELECTRONIC TECHNOLOGIES, LLC AND SHOULD NOT BE USED WITHOUT WRITTEN PERMISSION	
DIMENSION UNITS	SCALE	CURRENT REV DESC:	
= 0	mm	2:1	EC NO: 607574 DRWN: DMORGAN 2018/11/13 CHK'D: TELO 2018/11/15 APPR: TELO 2018/11/15
= 0	GENERAL TOLERANCES (UNLESS SPECIFIED)		
= 0	ANGULAR TOL ± 0.5°		
= 0	4 PLACES	±	INITIAL REVISION: DRWN: TELO 1998/05/21 APPR: CBIXLER 2000/06/13
= 0	3 PLACES	±	
= 0	2 PLACES	± 0.13	DOCUMENT NUMBER SDA-73656-X00X DOC TYPE PSD DOC PART 001 REVISION J
= 0	1 PLACE	± 0.25	
= 0	0 PLACES	±	MATERIAL NUMBER SEE TABLES CUSTOMER GENERAL MARKET SHEET NUMBER 1 OF 4
= 0	DRAFT WHERE APPLICABLE MUST REMAIN WITHIN DIMENSIONS		
= 0	THIRD ANGLE PROJECTION	DRAWING	SERIES
= 0		C-SIZE	73656

molex

SALES ASSY , HDM
BACKPLANE POWER MODULE (PRESSFIT)

PRODUCT CUSTOMER DRAWING

DATE CODE AND
PART NUMBER ON
THIS SURFACE OR
SURFACE OPPOSITE.



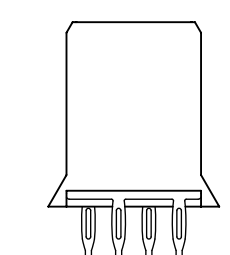
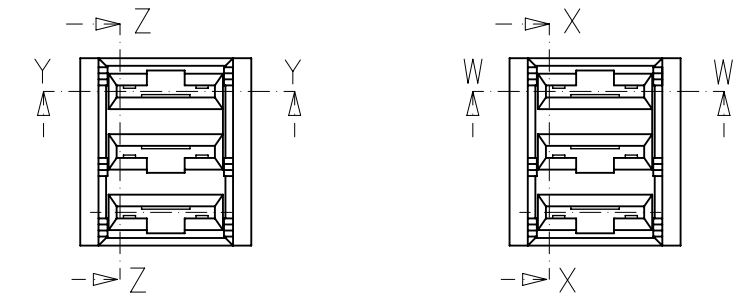
73656-100*

73656-200*

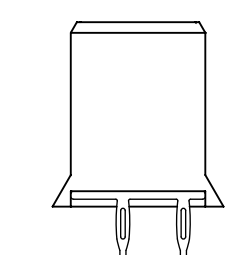
MIDPLANE OPTION

ASSEMBLY NUMBER	FINISH (SEE SHT 1)
73656-1000	SEE NOTE 2. (GOLD TAILS)
73656-2000	
73656-1001	SEE NOTE 3. *(MATTE TIN TAILS)
73656-2001	

* FORMERLY TIN/LEAD

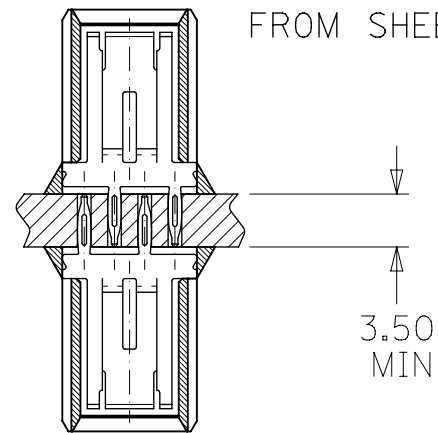


73656-200*

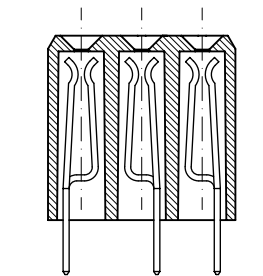


73656-100*

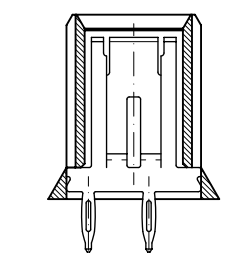
USE BACKPLANE MODULE
HOLE REFERENCE PATTERN
FROM SHEET 1



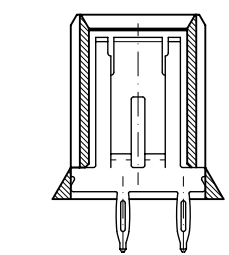
BACK-TO-BACK
MOUNTING APPLICATION



SECTION X-X
SECTION Z-Z
ROTATED 90° CW



(4.00)
SECTION: Y-Y

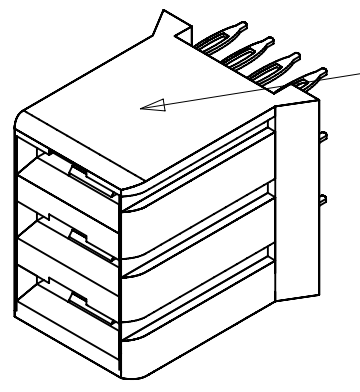


(4.00)
SECTION: W-W

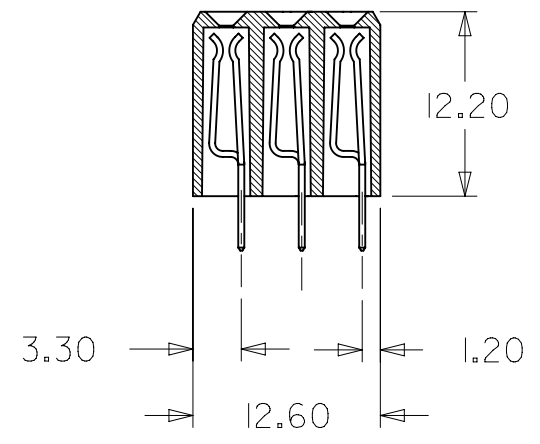
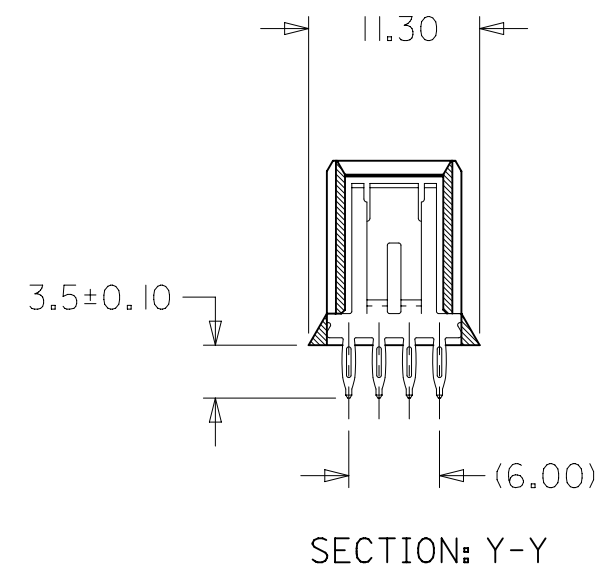
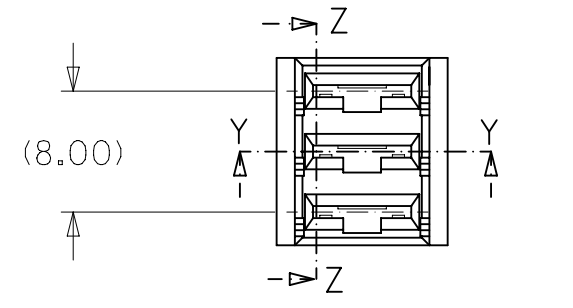
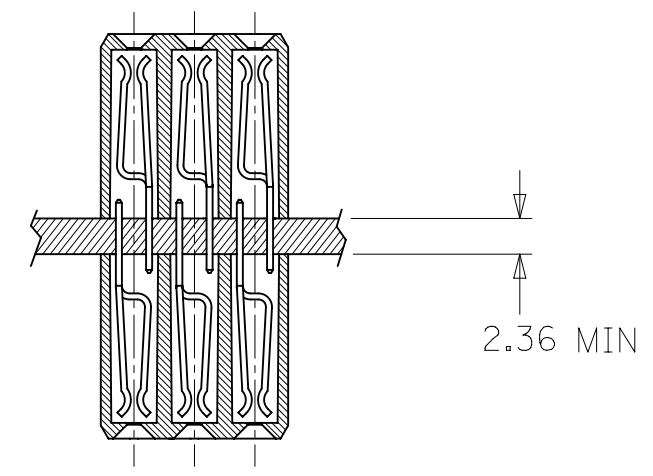
SYMBOLS	THIS DRAWING CONTAINS INFORMATION THAT IS PROPRIETARY TO MOLEX ELECTRONIC TECHNOLOGIES, LLC AND SHOULD NOT BE USED WITHOUT WRITTEN PERMISSION		
	DIMENSION UNITS	SCALE	CURRENT REV DESC:
▽ = 0	mm	2:1	molex SALES ASSY , HDM BACKPLANE POWER MODULE (PRESSFIT) PRODUCT CUSTOMER DRAWING
▽ = 0	GENERAL TOLERANCES (UNLESS SPECIFIED)		
▽ = 0	ANGULAR TOL ± 0.5°		
▽ = 0	4 PLACES	±	
▽ = 0	3 PLACES	±	
▽ = 0	2 PLACES	± 0.13	EC NO: 607574 DRWN: DMORGAN 2018/11/13 CHK'D: TELO 2018/11/15 APPR: TELO 2018/11/15
▽ = 0	1 PLACE	± 0.25	INITIAL REVISION: DRWN: TELO 1998/05/21 APPR: CBIXLER 2000/06/13
▽ = 0	0 PLACES	±	DOCUMENT NUMBER SDA-73656-X00X
▽ = 0	DRAFT WHERE APPLICABLE MUST REMAIN WITHIN DIMENSIONS	THIRD ANGLE PROJECTION	DOC TYPE DOC PART REVISION PSD 001 J
		DRAWING	MATERIAL NUMBER CUSTOMER SHEET NUMBER SEE TABLES GENERAL MARKET 2 OF 4
		SERIES	B-SIZE 73656

DOCUMENT STATUS	P1	RELEASE DATE	2018/11/15	03:28:27
-----------------	----	--------------	------------	----------

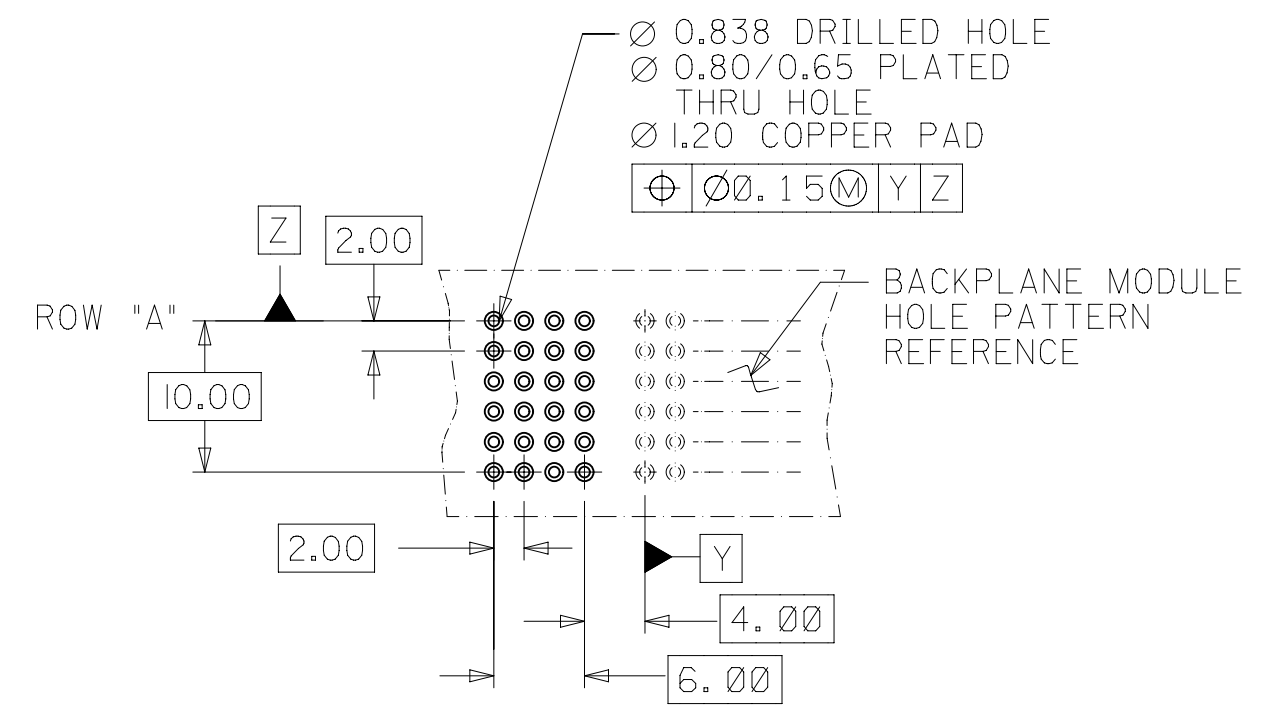
ASSEMBLY NUMBER	FINISH (SHT 1)
73656-5000	SEE NOTE 2.
73656-5001	SEE NOTE 3.



DATE CODE AND PART NUMBER ON THIS SURFACE OR SURFACE OPPOSITE.



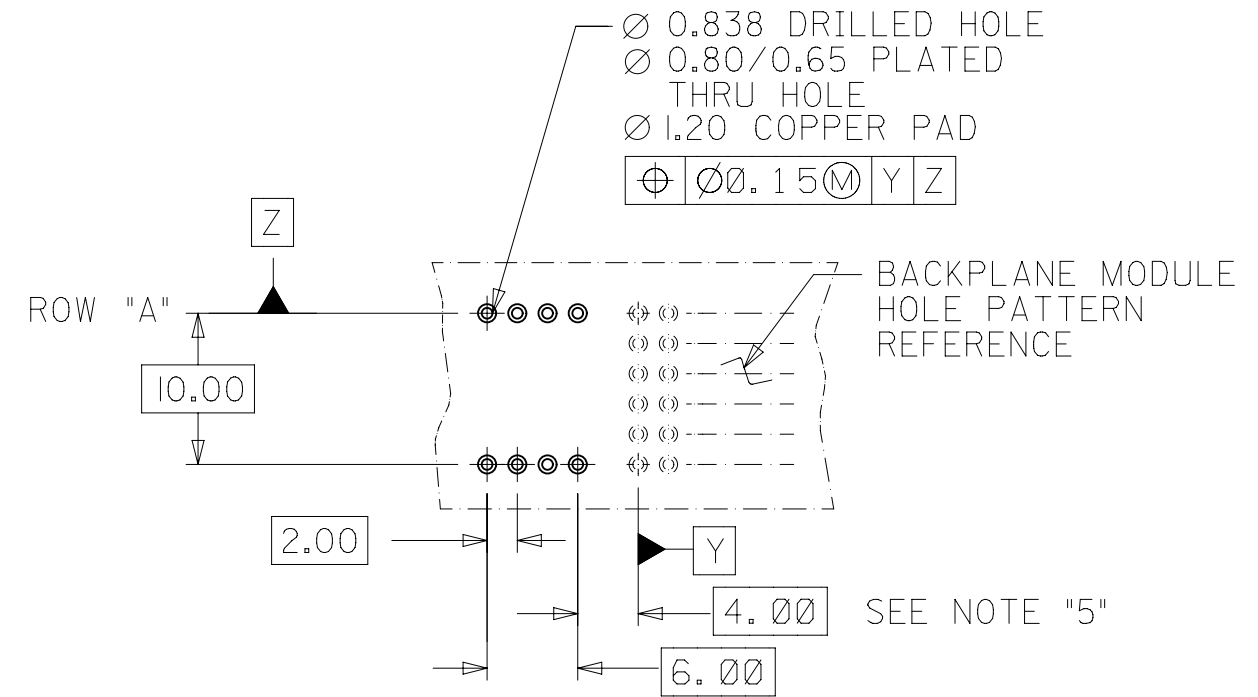
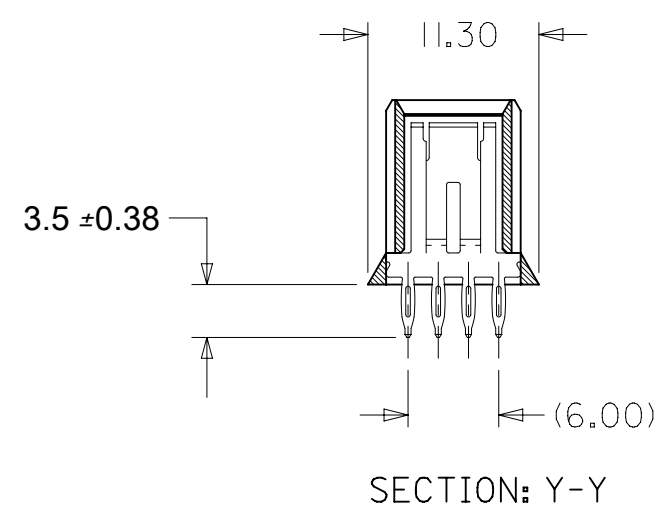
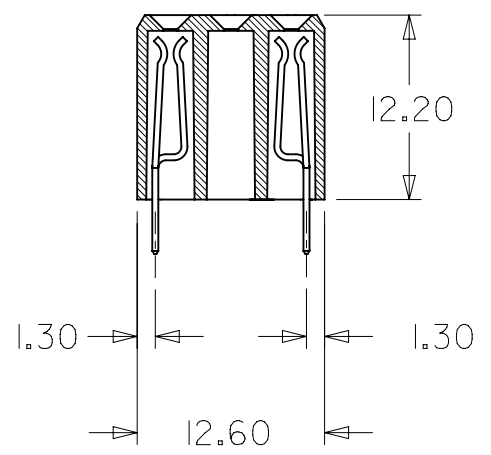
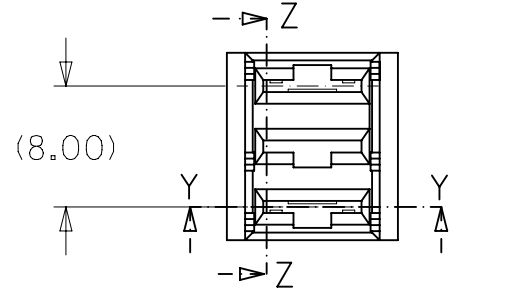
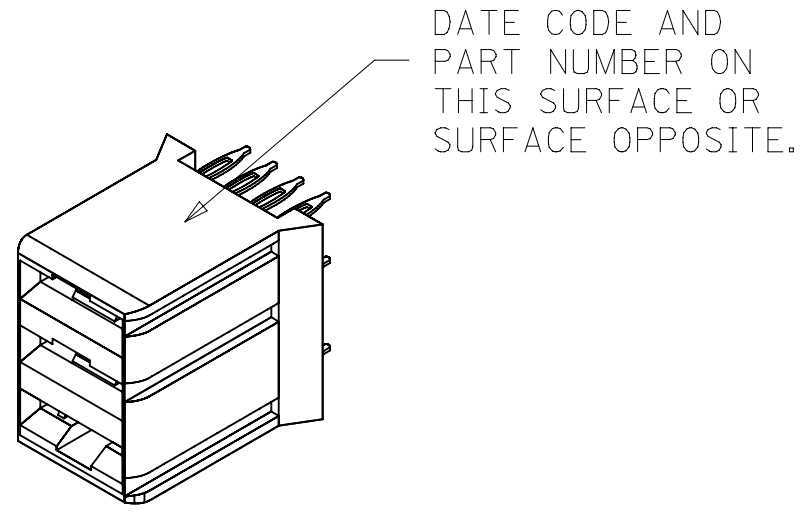
SECTION: Z-Z
ROTATED 90° CW



SYMBOLS	THIS DRAWING CONTAINS INFORMATION THAT IS PROPRIETARY TO MOLEX ELECTRONIC TECHNOLOGIES, LLC AND SHOULD NOT BE USED WITHOUT WRITTEN PERMISSION		
	DIMENSION UNITS	SCALE	CURRENT REV DESC:
▽ = 0	mm	2:1	EC NO: 607574 DRWN: DMORGAN 2018/11/13 CHK'D: TELO 2018/11/15 APPR: TELO 2018/11/15
▽ = 0	GENERAL TOLERANCES (UNLESS SPECIFIED)		
▽ = 0	ANGULAR TOL ± 0.5°		INITIAL REVISION: DRWN: TELO 1998/05/21 APPR: CBIXLER 2000/06/13
▽ = 0	4 PLACES	±	
▽ = 0	3 PLACES	±	DOCUMENT NUMBER SDA-73656-X00X
▽ = 0	2 PLACES	± 0.13	
▽ = 0	1 PLACE	± 0.25	DOC TYPE DOC PART REVISION PSD 001 J
▽ = 0	0 PLACES	±	
▽ = 0	DRAFT WHERE APPLICABLE MUST REMAIN WITHIN DIMENSIONS		MATERIAL NUMBER SEE TABLES
▽ = 0	THIRD ANGLE PROJECTION	DRAWING B-SIZE	CUSTOMER GENERAL MARKET
		SERIES 73656	SHEET NUMBER 3 OF 4

DOCUMENT STATUS	P1	RELEASE DATE	2018/11/15 03:28:27
-----------------	----	--------------	---------------------

ASSEMBLY NUMBER	FINISH
73656-0180	SEE NOTE 2.
73656-0181	SEE NOTE 3.



THIS DRAWING CONTAINS INFORMATION THAT IS PROPRIETARY TO MOLEX ELECTRONIC TECHNOLOGIES, LLC AND SHOULD NOT BE USED WITHOUT WRITTEN PERMISSION											
SYMBOLS		DIMENSION UNITS		SCALE		CURRENT REV DESC:					
▽ = 0		mm		2:1		EC NO: 607574					
▽ = 0		GENERAL TOLERANCES (UNLESS SPECIFIED)				DRWN: DMORGAN 2018/11/13					
▽ = 0		ANGULAR TOL ± 0.5°				CHK'D: TELO 2018/11/15					
▽ = 0		4 PLACES ±				APPR: TELO 2018/11/15					
▽ = 0		3 PLACES ±				INITIAL REVISION:					
▽ = 0		2 PLACES ± 0.13				DRWN: TELO 1998/05/21					
▽ = 0		1 PLACE ± 0.25				APPR: CBIXLER 2000/06/13					
▽ = 0		0 PLACES ±				DOCUMENT NUMBER					
▽ = 0		DRAFT WHERE APPLICABLE MUST REMAIN WITHIN DIMENSIONS				THIRD ANGLE PROJECTION		DRAWING		SERIES	
▽ = 0		B-SIZE		73656		MATERIAL NUMBER		CUSTOMER		SHEET NUMBER	
▽ = 0		SEE TABLES		GENERAL MARKET		SDA-73656-X00X		PSD 001		J	

molex

SALES ASSY, HDM
BACKPLANE POWER MODULE (PRESSFIT)

PRODUCT CUSTOMER DRAWING