

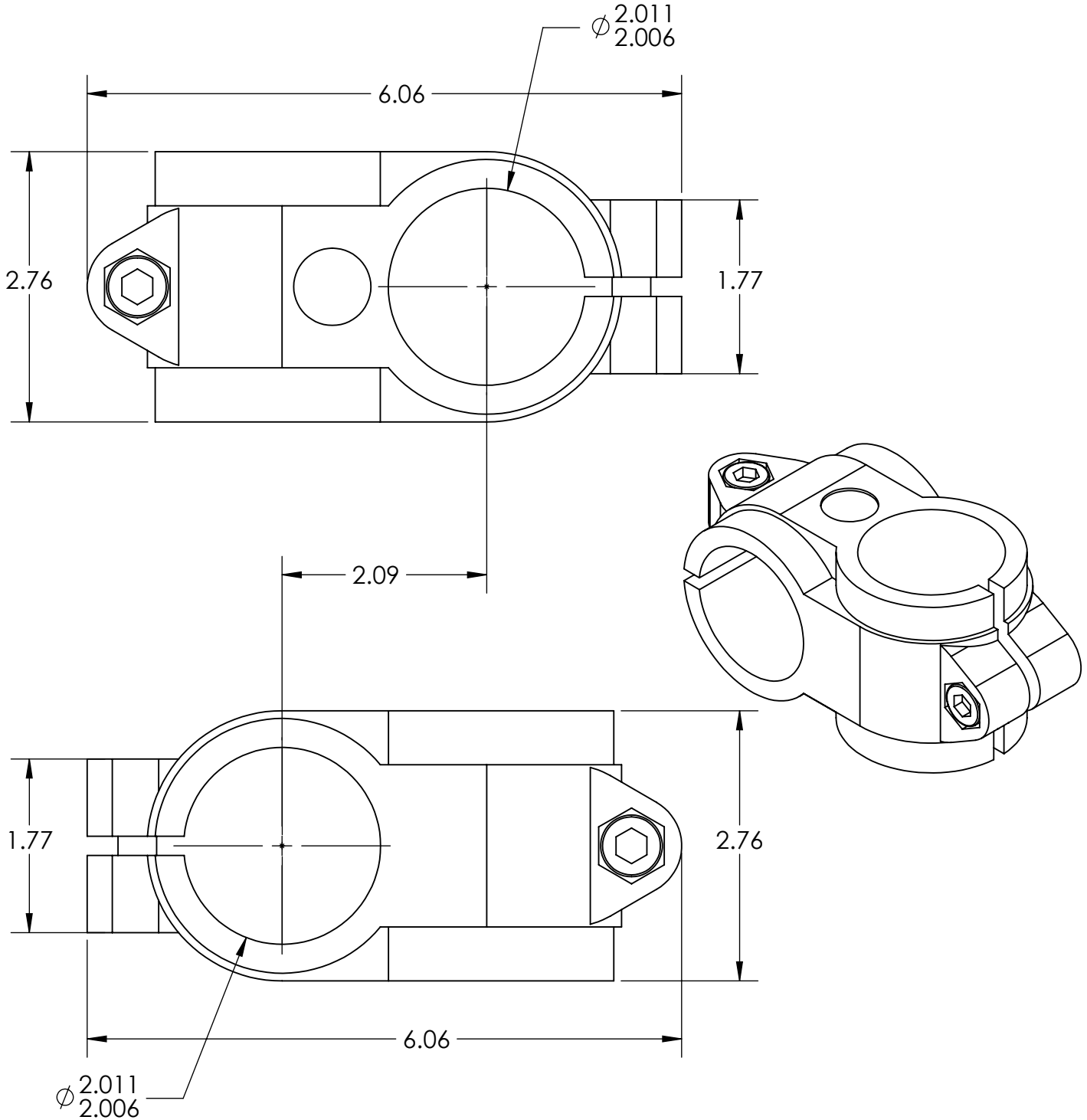
REVISION HISTORY-- ALL SHEETS ARE THE SAME REVISION STATUS

| REV | DESCRIPTION | DATE | APPROVED |
|-----|-------------|------|----------|
|-----|-------------|------|----------|

REV A

SH 1 of 1

DWG NO RXA.2020



**CONFIDENTIAL**  
 © 2016 Phoenix Mecano Inc. This drawing is the property of Phoenix Mecano Inc. and embodies confidential information, trade secret information, and/or know-how which is the property of Phoenix Mecano Inc. By accepting this drawing, the recipient agrees not to provide, or otherwise make available, the drawing, or any information or know-how embodied therein, to any third party without prior written authorization.

UNLESS OTHERWISE SPECIFIED  
 DIM ARE IN INCHES  
 TOLERANCE:  
 ANGLE ± .5°  
 1 PL ± .030  
 2 PL ± .010  
 3 PL ± .005  
 INTERPRET DIM AND TOL PER  
 ASME Y14.5M-1994  
 THIRD ANGLE PROJECTION

DRAWN **Chi Pong**  
 APPROVED  
 APPROVED

Phoenix Mecano Inc.  
 7330 Executive Way  
 Frederick, MD 21704  
 (301) 696-9411 voice  
 (301) 696-9494 fax

**PHOENIX**  
MECANO

TITLE  
**RK Clamp Catalog Drawing**

|                     |                           |                           |                 |
|---------------------|---------------------------|---------------------------|-----------------|
| SIZE<br><b>A</b>    | CAGE CODE<br><b>1L9R7</b> | DWG NO<br><b>RXA.2020</b> | REV<br><b>A</b> |
| SCALE<br><b>NTS</b> | DATE<br><b>7/14/2016</b>  | SHEET<br><b>1 of 1</b>    |                 |