

# MPS ARCA 4030



Sample image

**Order symbol:** MPS ARCA 4030

**Product nbr:** 8120733

**Description:** Mounting plate (350x250x2 mm)

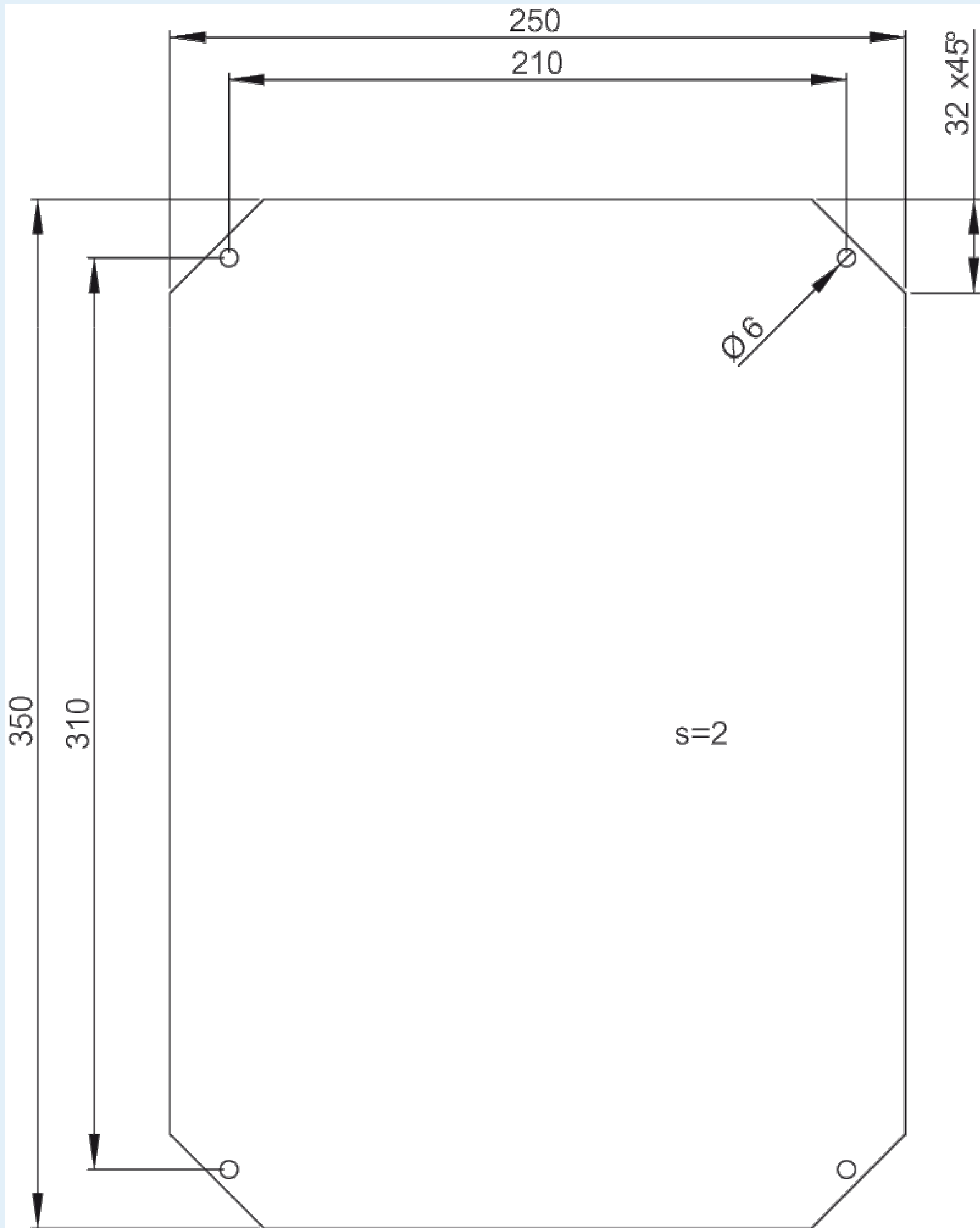
**Remarks:** Galvanized steel. for sizes 400x300x150/210

**EAN:** 6418074082565

**Including:**

**El. number:**

- Finland: 3423808
- Denmark: 8212094411
- Sweden: 2500184



**Dimensions:**

	<b>Height</b>	<b>Width</b>	<b>Depth</b>
mm:	350	250	2
inch:	13.78	9.84	0.08

**Materials:**

Material:

Base colour:

Cover colour:

Gasket material:

**Temperatures:**

Temperature °C (short term)::

Temperature °C (continuous):

Temperature °F (short term):

Temperature °F (continuous):

**Rating:**

Ingress protection (EN 60529):

Impact Resistance (EN 62262):

Electrical insulation:

Not insulated

Halogen free (DIN/VDE 0472, Part 815):

0

UV resistance:

-

Flammability Rating:

Glow Wire Test (IEC 695-2-1) °C:

C

NEMA Class

**Certificates:**