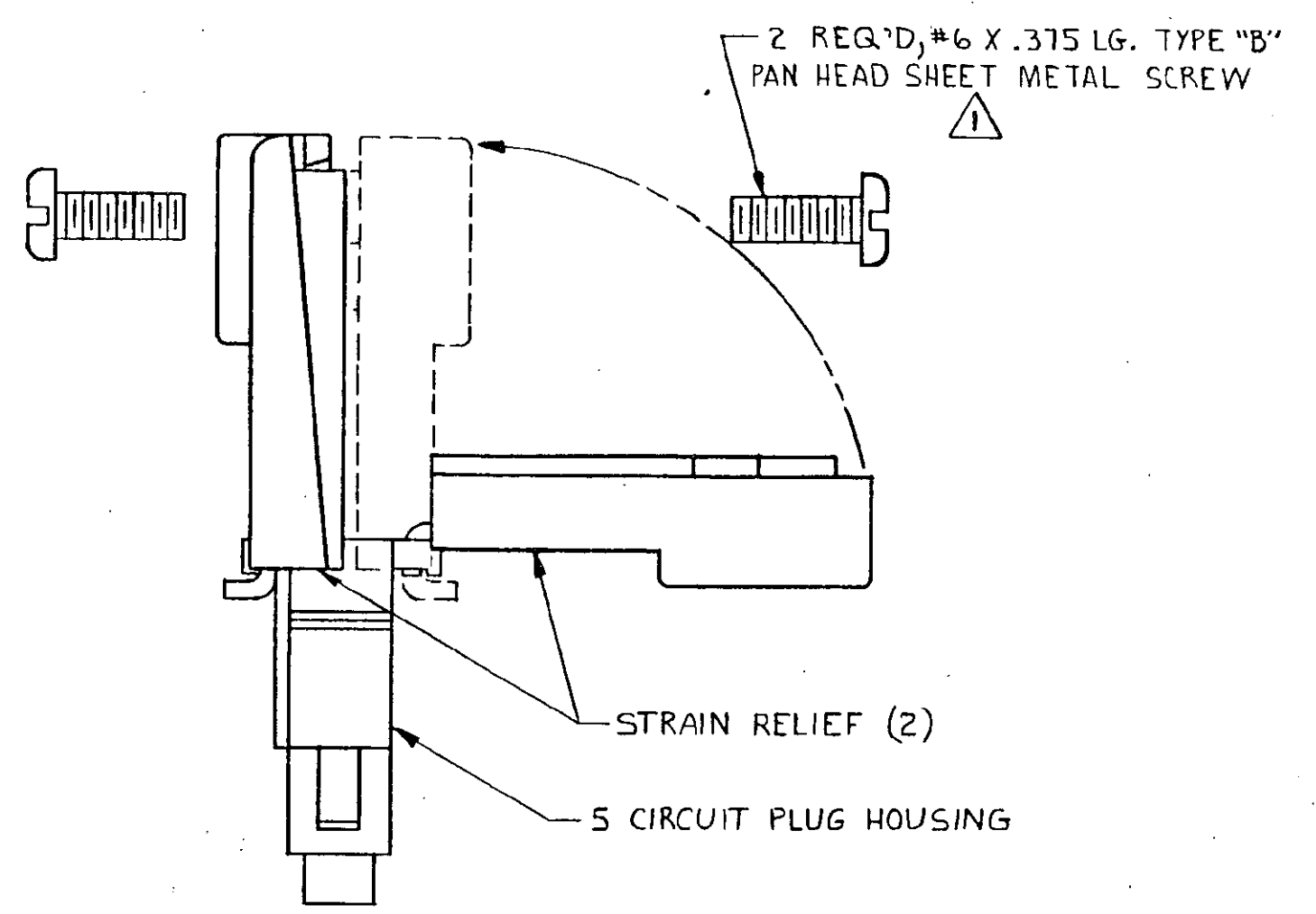
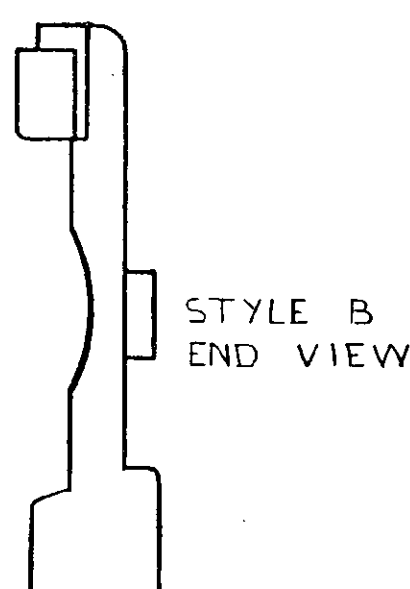
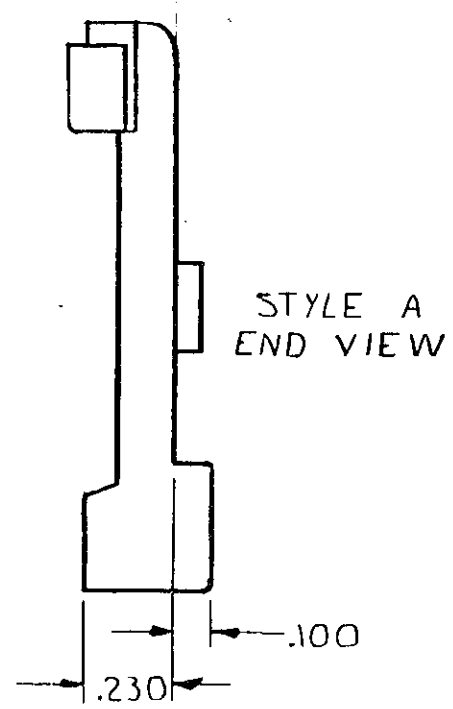
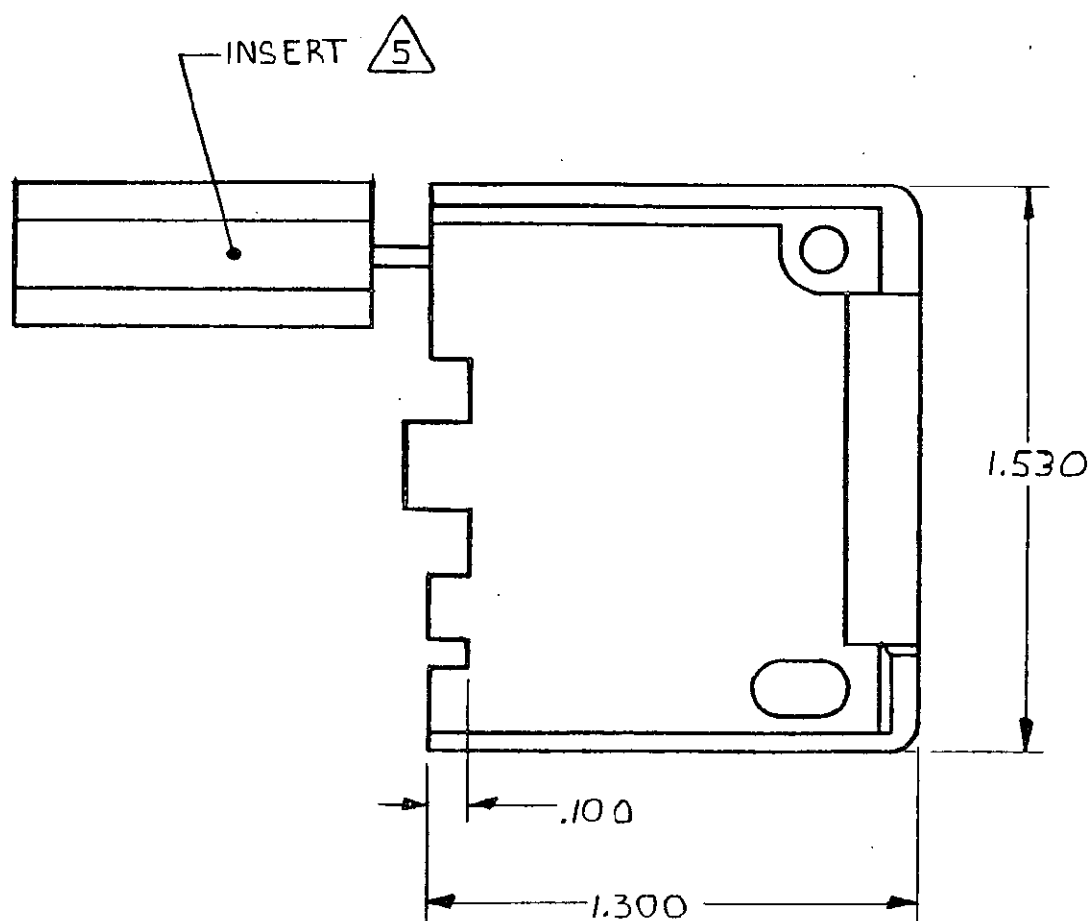
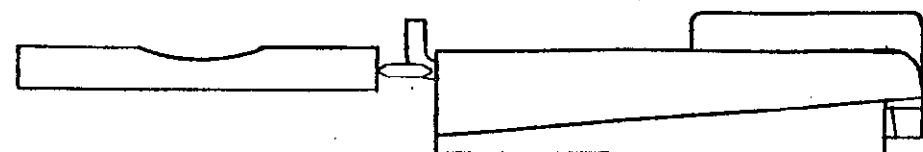


THIS DRAWING IS UNPUBLISHED. RELEASED FOR PUBLICATION, 19  
© COPYRIGHT 19 BY AMP INCORPORATED, HARRISBURG, PA. ALL INTERNATIONAL RIGHTS RESERVED. AMP PRODUCTS MAY BE COVERED BY U.S. AND FOREIGN PATENTS AND/OR PATENTS PENDING.

REVISIONS					
P	F	ZONE	LTR	DESCRIPTION	DATE APPROVED
✓			0	RELEASE DRAWING PER M-6939	5-11-82 MSF/DH
✓			A	Added 643030-4, TTI B2-164	1/20/83 MIV/DH
✓			A1	RESTORED	7/11/85 BD RS
✓			B	REV PER ECN CM 705	12/1/86 TB/RS
✓			C	REV PER EC 0730-0201-94	4-26-85 JM RS



- ⚠ SHEET METALS SCREWS NOT SUPPLIED.
- ⚠ TWO REQUIRED PER CONNECTOR.
- 3. STYLE A; MAX WIRE BUNDLE WITHOUT INSERT IS 5 AT .190 DIA, AND MIN WIRE BUNDLE WITH INSERT IS 5 AT .040 DIA.
- 4. STYLE B; DESIGNED TO ACCEPT CABLE WITH .200-.350 OUTSIDE DIAMETER.
- 6. DETACHABLE INSERT MAY SEPARATE FROM STRAIN RELIEF BODY DURING SHIPPING.

	NO INSERT	WITH INSERT	NO INSERT	WITH INSERT	NO INSERT	WITH INSERT	NO INSERT	WITH INSERT
BRICK RED OR WHITE			NATURAL		BRICK RED OR WHITE			
NYLON 94V-0			NYLON 94V-2		NYLON 94V-0			
STYLE B			STYLE A		STYLE B			
643030-4/2			643030-3/2		643030-2/2			

UNLESS OTHERWISE SPECIFIED DIMENSIONS ARE IN INCHES. TOLERANCES ON: DECIMALS ±.015 ANGLES ±		CONTRACT NO		<b>AMP</b>   AMP INCORPORATED Harrisburg, Pa. 17105	
MATERIAL SEE TABLE		DR <i>M. Feker 5-11-82</i>			
		CHK <i>D.S. Heide 6/1/82</i>		NAME STRAIN RELIEF AND INSERT, UNIVERSAL MATE-N-LOK™, 5 CIRCUIT	
		APPD <i>G.E. Acella 6/1/82</i>		DRAWING NO 643030	
		DSGN APPD		SIZE <b>C</b>	
		OTHER APPD		FSCM NO <b>00779</b>	
				SCALE 2-1	
				SHEET 1 OF 1	