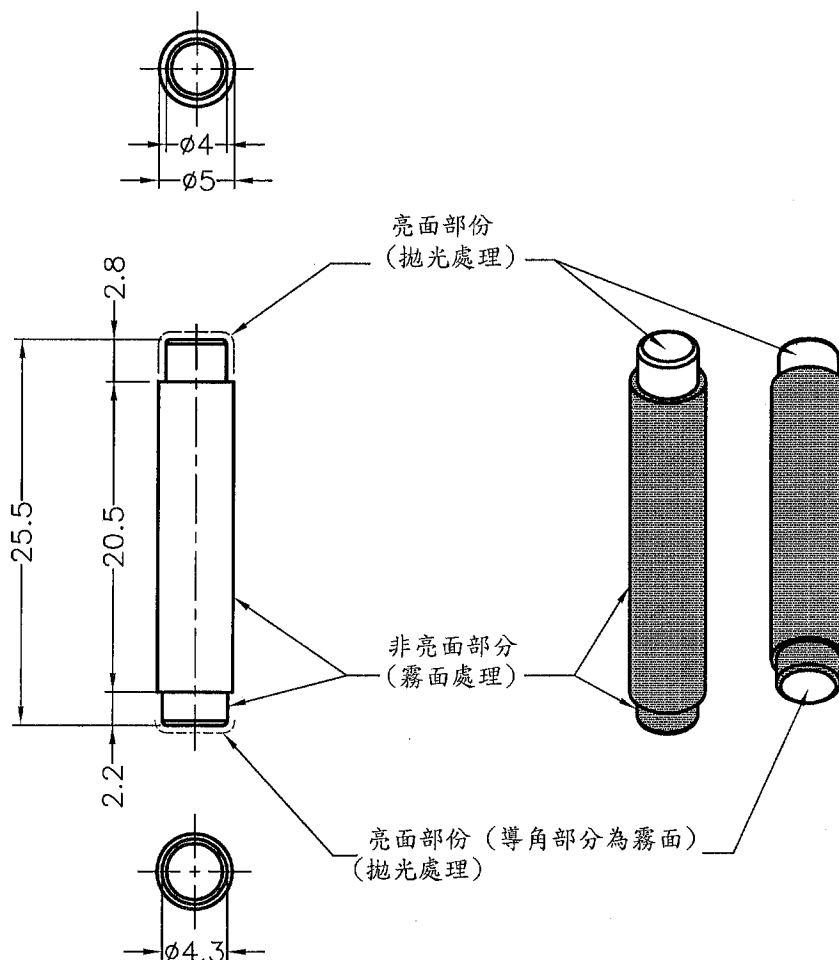


| 成型尺寸 | 公差 |
|-----------|------|
| L≤10 | ±0.2 |
| 10<L≤30 | ±0.3 |
| 30<L≤50 | ±0.5 |
| 50<L≤100 | ±0.7 |
| 100<L≤250 | ±1.2 |
| ABOVE 250 | ±1.5 |

| REVISIONS | | | |
|-----------|-------------|------|----|
| REV | DESCRIPTION | DATE | BY |
| | | | |
| | | | |



QMFZ2 Component - Plastics
 TEIJIN CHEMICALS LTD
 HIBIYA DAIBIRU BLDG 2-2 UCHISAIWAI-CHO 1-CHOME CHIYODA-KU TOKYO 100-0011 JAPAN
 Material Designation: L-1225(#)(f2)

Tuesday, June 08, 2004

E50075

Product Description: Polycarbonate (PC), designated "Panlite" furnished as pellets, powder.

| Color | Min. Thick. (mm) | Flame Class | HWI | HAI | RTI Elec | RTI Imp | RTI Str | IEC GWIT | IEC GWFI |
|-------|------------------|-------------|-----|-----|----------|---------|---------|----------|----------|
| ALL | 0.4 | V-2 | 4 | 3 | 80 | 80 | 80 | - | - |
| | 0.75 | V-2 | 3 | 1 | 80 | 80 | 80 | - | - |
| | 1.5 | V-2 | 3 | 1 | 125 | 115 | 125 | - | - |
| | 1.9 | HB | 3 | 1 | 125 | 115 | 125 | - | - |
| | 3 | HB | 2 | 1 | 125 | 115 | 125 | - | - |
| | 6 | HB | 1 | 1 | 125 | 115 | 125 | - | - |

CTI: 2 HVTR: 4

D495: 5

IEC Ball Pressure (C): -

Dielectric Strength (kV/mm): 30

Volume Resistivity (10^{12} ohm-cm): 16

Dimensional Stability(%): 0

ISO Tensile Strength (MPa): -

ISO Flexural Strength (MPa): -

ISO Heat Deflection (C): -

ISO Tensile Impact (kJ/m²): -

ISO Izod Impact (kJ/m²): -

ISO Charpy Impact (kJ/m²): -

(#)

Material designation may be suffixed with any one or two letters.

(f2)

Subjected to one or more of the following tests: Ultraviolet Light, Water Exposure or Immersion in accordance with UL 746C, where the acceptability for outdoor use is to be determined by UL Inc.

Report Date: 2/10/1989

Underwriters Laboratories Inc®

| | | | | |
|---|-------|----------------|------------|----------|
| <p>康揚企業股份有限公司 KANG YANG HARDWARE ENTERPRISE CO., LTD. 康揚塑膠(東莞)有限公司 KANG YANG PLASTIC(DONG GUAN) CO., LTD. 康哲電腦配件(吳江)有限公司 KANG CHE COMPUTER COMPONENTS(WUJIANG) CO., LTD.</p> | | TITLE | 導光柱 | 產品規格圖面 |
| | | MATERIAL | PC UL94V-2 | DATE |
| PART NUMBER | | DRAWING NUMBER | COLOR | CHECK |
| LEM-107 | | LEM-107 | CLEAR | |
| SIZE | SCALE | UNIT | REV | APPROVED |
| A4 | 2:1 | mm | A | |
| UNLESS OTHERWISE SPECIFIED TOLERANCE | | | SEE ABOVE | |