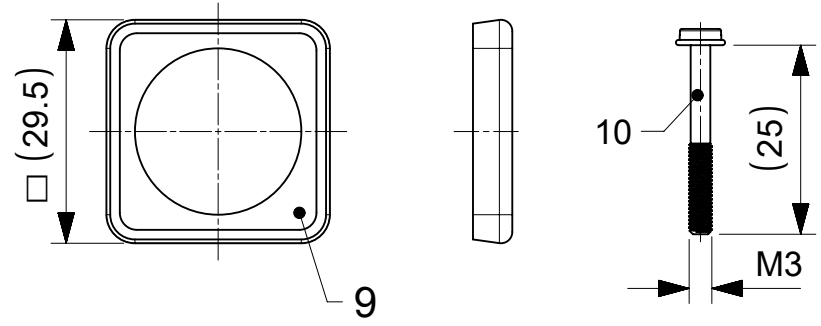


SCREW AND GASKET NOT ASSEMBLED



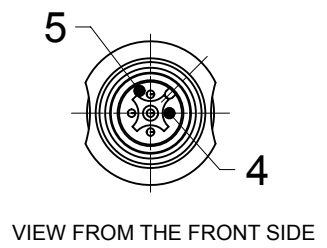
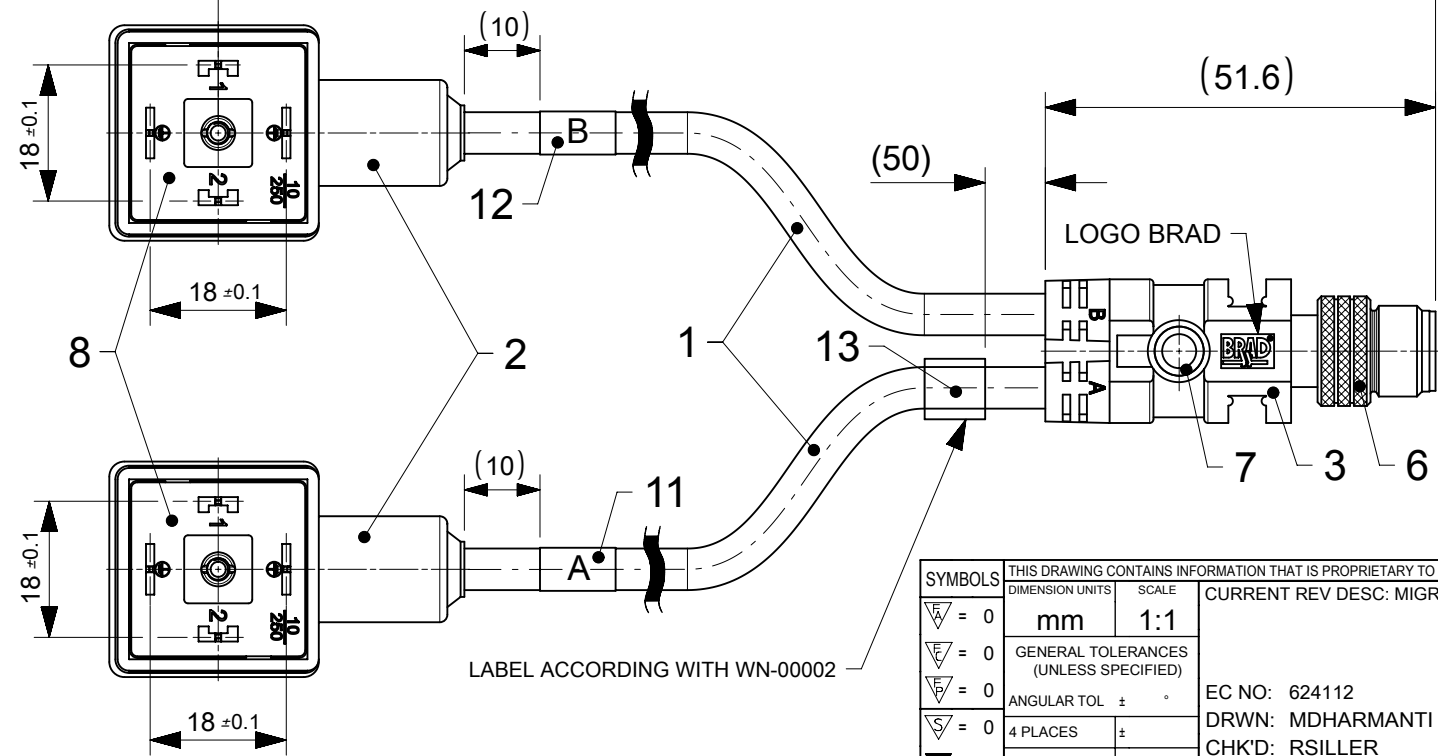
M12 5 POLE MALE

PIN 2
PIN 3
PIN 5
LEADING PIN
PIN 4
PIN 1

VIEW FROM THE FRONT SIDE

PIN	WIRE COLOR
1	-
2	BROWN 'B'
3	BLUE
4	BROWN 'A'
5	GREEN-YELLOW

L+TOL. = SEE PART LIST



THIS DRAWING CONTAINS INFORMATION THAT IS PROPRIETARY TO MOLEX ELECTRONIC TECHNOLOGIES, LLC AND SHOULD NOT BE USED WITHOUT WRITTEN PERMISSION									
SYMBOLS		DIMENSION UNITS		SCALE		CURRENT REV DESC: MIGRATED			
∇ = 0	mm	1:1		GENERAL TOLERANCES (UNLESS SPECIFIED)					
E = 0	ANGULAR TOL ± °								
F = 0	4 PLACES ±								
S = 0	3 PLACES ±								
▼ = 0	2 PLACES ±								
∇ = 0	1 PLACE ±								
⊠ = 0	0 PLACES ±								
■ = 0	DRAFT WHERE APPLICABLE MUST REMAIN WITHIN DIMENSIONS								
∇ = 0	THIRD ANGLE PROJECTION		DRAWING		SERIES		DOCUMENT NUMBER		DOC TYPE
		A4-SIZE		121035		1210350285		PSD	000
						MATERIAL NUMBER		CUSTOMER	
						SEE SHEET 2		GENERAL MARKET	
								REVISION	
								A	
								SHEET NUMBER	
								1 OF 2	

molex

ILS-5P-MM/2XDIN-FORM A-XM-PVC/PUR

PRODUCT CUSTOMER DRAWING

DOCUMENT NUMBER: 1210350285

DOC TYPE: PSD

DOC PART: 000

REVISION: A

MATERIAL NUMBER: SEE SHEET 2

CUSTOMER: GENERAL MARKET

SHEET NUMBER: 1 OF 2

PART NO. MATRIX

E 8 5 A 0 0 X X X X X X X X

E- FORM A 18.00 mm
(2P+DOUBLE GROUND)

8- MMC
SINGLE KEYWAY

5- 5 POLE
MALE

A - IN LINE
SPLITTER

0- NO CIRCUIT

0- DIN EARTH
POSITION
H6/H12

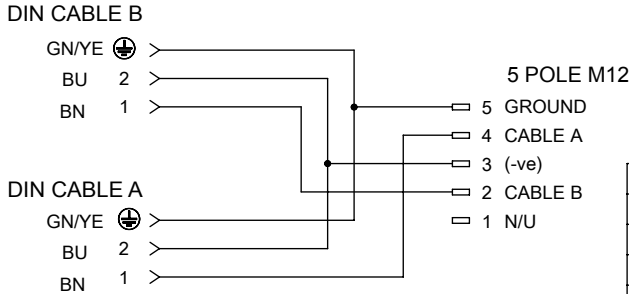
CABLE TYPE :
E12 = PVC, 3X0.5mm, BLACK
P12 = PUR, 3X0.5mm, BLACK

M-METER
C- CENTIMETERS

LENGTH :
010 = 1M
020 = 2M
030 = 3M

COUPLING NUT :
BLANK = STANDARD
1 = HEXAGONAL / STAINLESS STEEL
5 = DELRIN
7 = TEFLON COATED

WIRING DIAGRAM



PART LIST

MOLEX PN	ENGINEERING NO	CABLE TYPE, JACKET MATERIAL	L+TOL. [mm]
1210350158	E85A00E12M010	E12, PVC	1000
1210350212	E85A00P12M003	P12, PUR	300
1210350213	E85A00P12M006	P12, PUR	600
1210350283	E85A00E12M020	E12, PVC	2000
1210350285	E85A00E12M015	E12, PVC	1500
1210350289	E85A00E12M040	E12, PVC	4000

BOM

ITEM	QTY	DESCRIPTION	MATERIAL	FINISH/COLOR
13	1	LABEL	VINYL	YELLOW
12	1	LABEL B B-500 WMB	VINYL	WHITE
11	1	LABEL A B-500 WMA	VINYL	WHITE
10	2	SCREW M3x25	BRASS	ZINC
9	2	PROFIED GASKET G11	NBR	BLACK
8	2	MOUNTED INSERT 2P+2T	-	BLACK
7	1	CENTRE SPACER ILS	PVC	YELLOW
6	1	M12 MALE COUPLING NUT	BRASS	Ni-PLATED
5	1	5P MALE INSERT	PUR	BLACK
4	5	CONTACT 10 MALE	COPPER	SELECTIVE GOLD OVER NICKEL
3	-	MOULDING MATERIAL	PVC	YELLOW
2	-	MOULDING MATERIAL	PP	BLACK
1	-	CABLE 3X0.50MM	SEE PART LIST	BLACK

CONNECTOR SPECIFICATION :

ELECTRICAL DATA :
VOLTAGE RATING : 60V
AMPERAGE RATING : 4A
IP PROTECTION : IP65

CABLE SPECIFICATION :

CONDUCTOR :
MATERIAL : BARE COPPER
SECTION : 0.50mm²
STRANDING : 28x0.15 mm

JACKET :
COMPOUND : PUR/PVC (SEE PART LIST)
COLOR : BLACK
DIAMETER : $\varnothing 5.5^{+0.30}$ mm

CABLE LENGTH TOLERANCES[mm]		
OVER	UP TO AND INCLUDING	TOLERANCES
0	305	+19
305	915	+45
915	1830	+56
1830	3660	+89
3660	7320	+165
7320	14640	+317
14640	30500	+610
30500	>	+2% OF FINISHED LENGTH

THIS DRAWING CONTAINS INFORMATION THAT IS PROPRIETARY TO MOLEX ELECTRONIC TECHNOLOGIES, LLC AND SHOULD NOT BE USED WITHOUT WRITTEN PERMISSION

SYMBOLS

∇ = 0	ANGULAR TOL	±	°
∇ = 0	4 PLACES	±	
∇ = 0	3 PLACES	±	
∇ = 0	2 PLACES	±	
∇ = 0	1 PLACE	±	
∇ = 0	0 PLACES	±	
\boxtimes = 0	DRAFT WHERE APPLICABLE	MUST REMAIN WITHIN DIMENSIONS	
\blacksquare = 0	THIRD ANGLE PROJECTION		
∇ = 0	DRAWING	A4-SIZE	

THIS DRAWING CONTAINS INFORMATION THAT IS PROPRIETARY TO MOLEX ELECTRONIC TECHNOLOGIES, LLC AND SHOULD NOT BE USED WITHOUT WRITTEN PERMISSION

SCALE: 1:1

GENERAL TOLERANCES (UNLESS SPECIFIED)

EC NO: 624112
DRWN: MDHARMANTI 2019/09/10
CHK'D: RSILLER 2019/09/20
APPR: RSILLER 2019/09/20

INITIAL REVISION:
DRWN: MDHARMANTI 2019/09/10
APPR: RSILLER 2019/09/20

molex

ILS-5P-MM/2XDIN-FORM A-XM-PVC/PUR

PRODUCT CUSTOMER DRAWING

DOCUMENT NUMBER	DOC TYPE	DOC PART	REVISION
1210350285	PSD	000	A

MATERIAL NUMBER	CUSTOMER	SHEET NUMBER
SEE PART LIST	GENERAL MARKET	2 OF 2

DOCUMENT STATUS	P1	RELEASE DATE	2019/09/20	10:08:39
-----------------	----	--------------	------------	----------