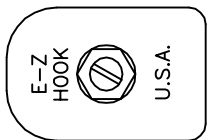
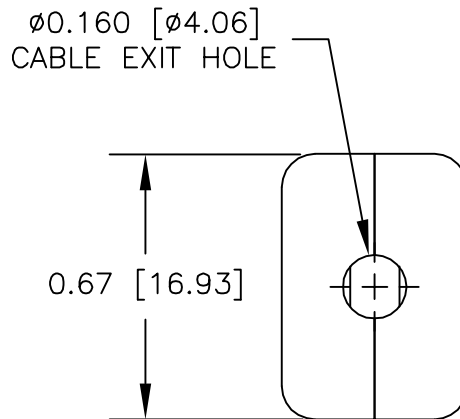
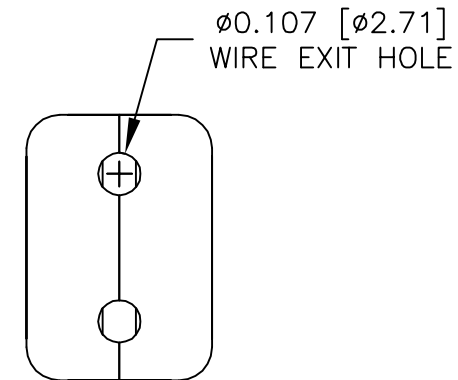
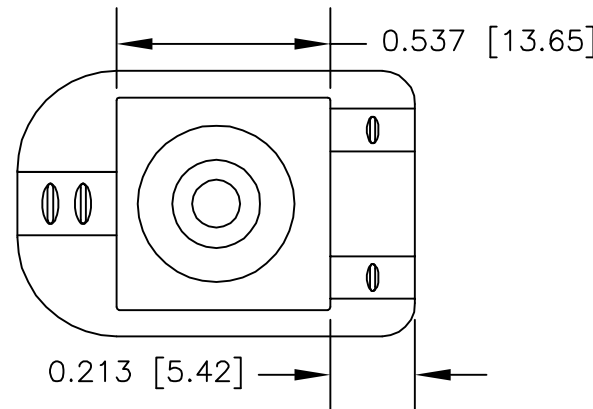
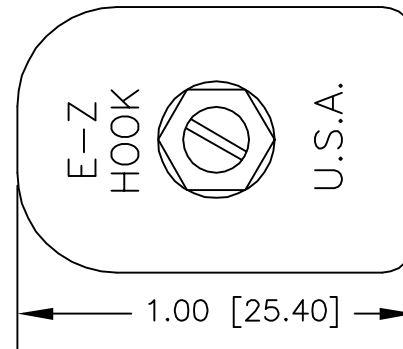


NOTES: UNLESS OTHERWISE SPECIFIED

- CONSTRUCTION:
HOUSING: MOLDED NYLON. AVAILABLE IN BLACK.
- PERFORMANCE:
MAXIMUM CURRENT: XX
MAXIMUM VOLTAGE: XX
MAXIMUM TEMPERATURE: XX
- FEATURES:
BUILT IN STRAIN RELIEF.

LTR		DESCRIPTION	REVISIONS	DATE	APPROVED



ACTUAL SIZE

UNLESS OTHERWISE SPECIFIED DIMENSIONS ARE IN INCHES TOLERANCES ARE: FRACTIONS DECIMALS ANGLES ± .XX ± ± .XXX ±		CONTRACT NO.		E-Z-HOOK DIVISION OF TEKTEST INC. ARCADIA, CA 91006 U.S.A.			
MATERIAL SEE NOTE.		APPROVALS DATE					DESCRIPTION IN-LINE Y BLOCK FOR MINIATURE CABLE
FINISH SEE NOTE.		DRAWN R.L. 10/10		SIZE	CODE IDENT NO.	DRAWING NO.	
NEXT ASSY		USED ON		A 08505		Y3000	
APPLICATION		DO NOT SCALE DRAWING		SCALE 2:1		SHEET 1 OF 1	

THE INFORMATION CONTAINED IN THIS DOCUMENT IS PROPRIETARY TO E-Z-HOOK. THE INFORMATION IS NOT TO BE REPRODUCED WITHOUT PRIOR WRITTEN PERMISSION OF E-Z-HOOK, DIV. OF TEKTEST INC. MAXIMUM TESTED RATINGS IN A HANDS-FREE CONTROLLED ENVIRONMENT. MAXIMUM RATINGS ARE NOT TO BE USED CONCURRENTLY.