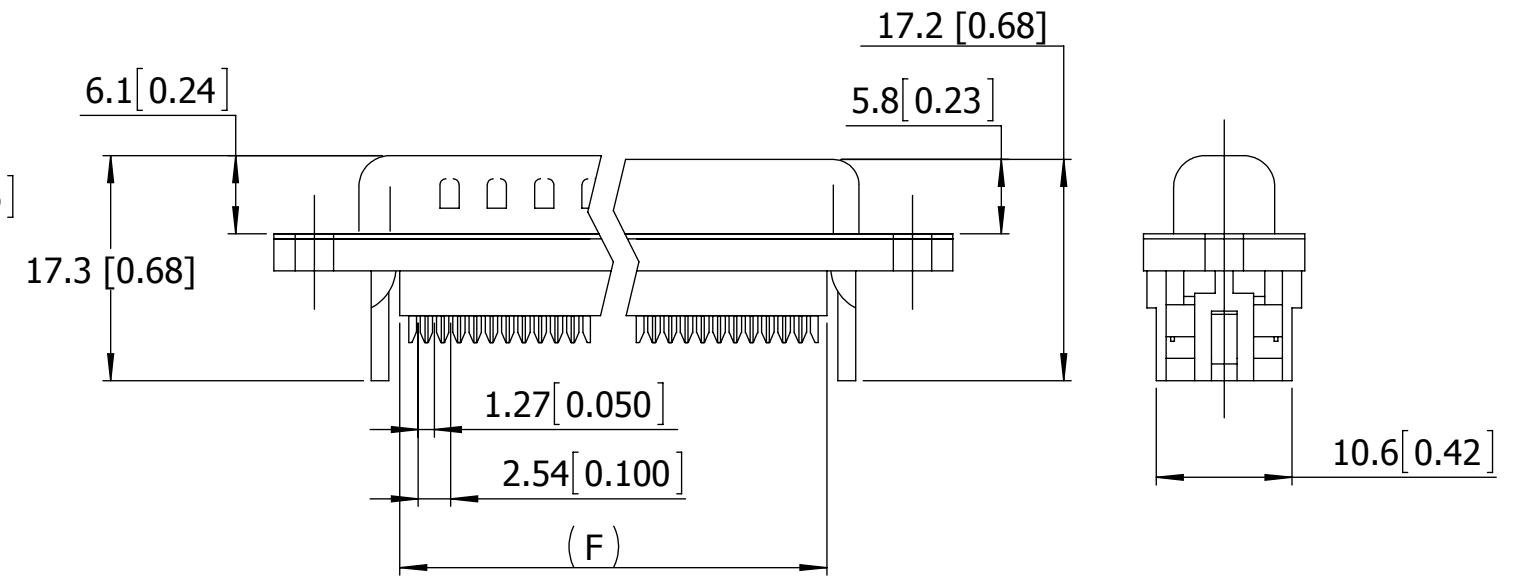
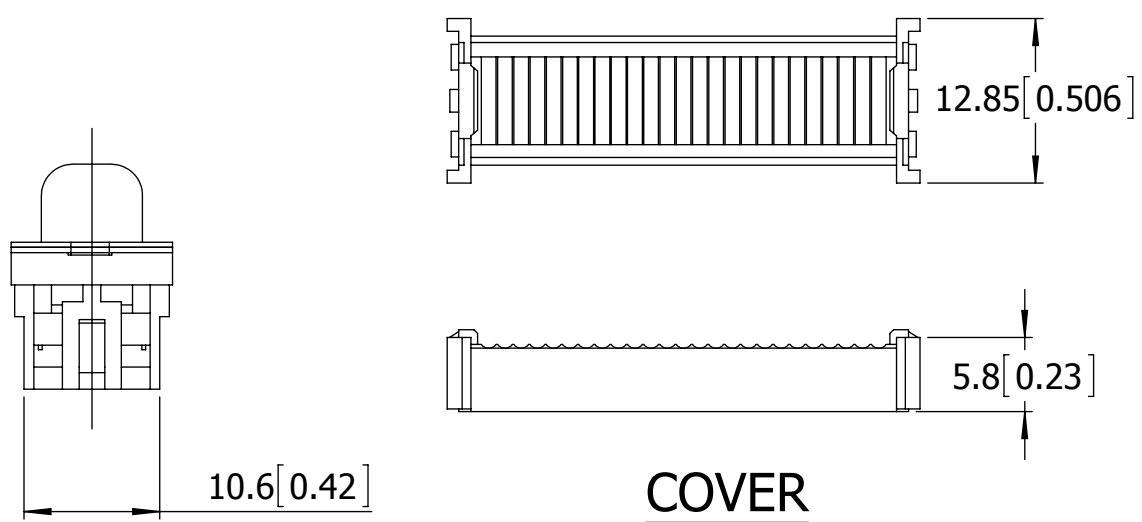
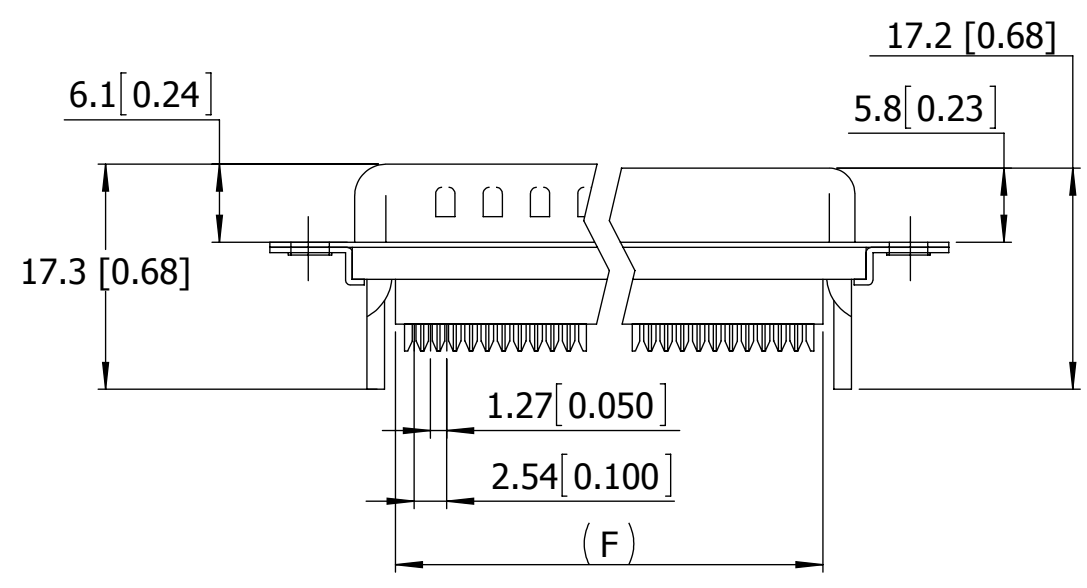
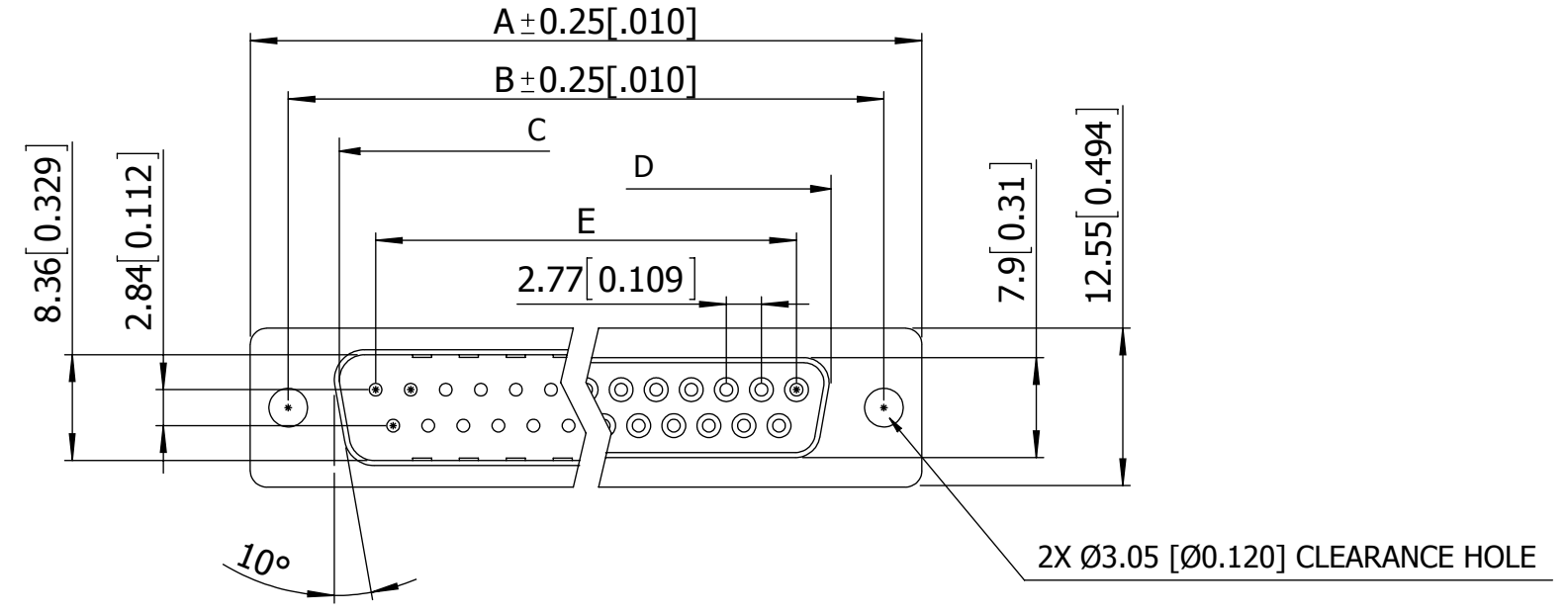
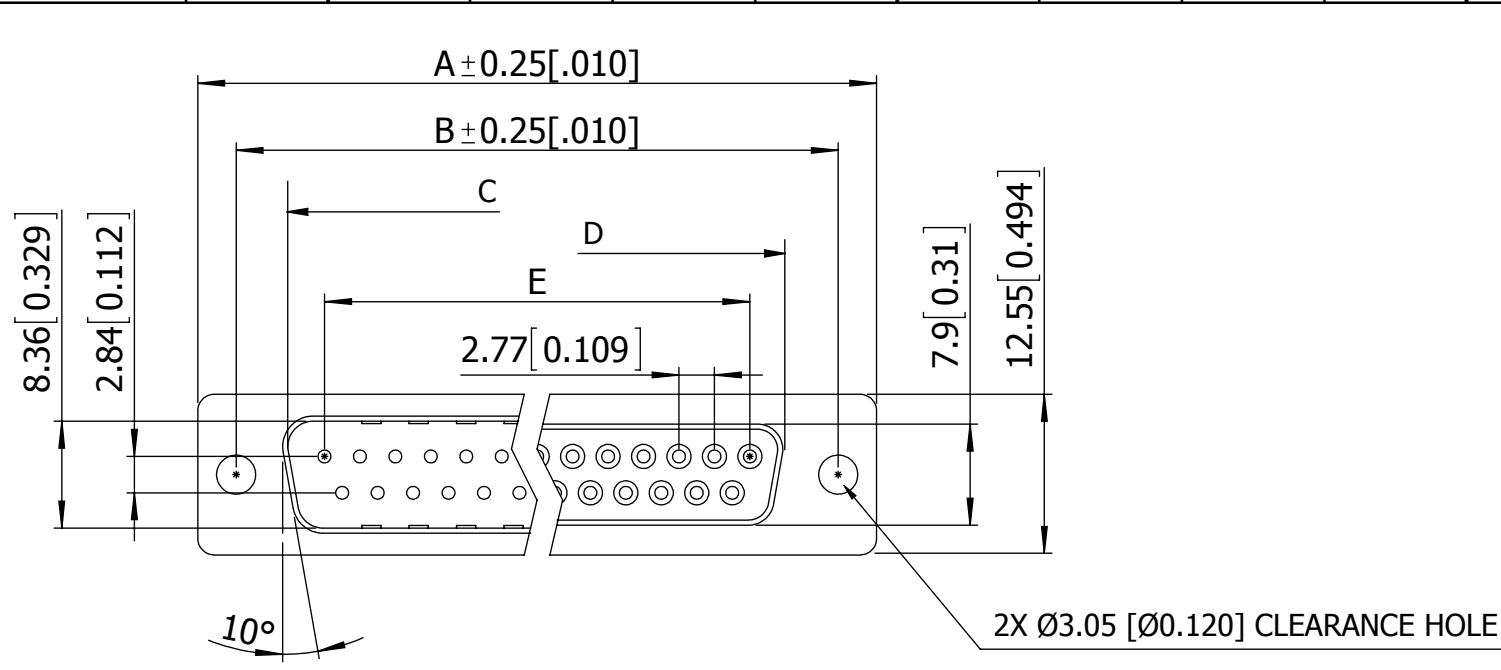


DIMENSIONS

| POSITIONS | A | | B | | C | | D | | E | | F | |
|-----------|-------|-------|-------|-------|-------|-------|-------|-------|-------|-------|-------|-------|
| | MM | INCH | MM | INCH | MM | INCH | MM | INCH | MM | INCH | MM | INCH |
| 09 | 30.81 | 1.213 | 24.99 | 0.984 | 16.92 | 0.666 | 16.33 | 0.643 | 11.08 | 0.436 | 13.10 | 0.516 |
| 15 | 39.20 | 1.543 | 33.30 | 1.311 | 25.25 | 0.994 | 24.70 | 0.972 | 19.39 | 0.763 | 20.70 | 0.815 |
| 25 | 53.05 | 2.088 | 47.04 | 1.852 | 38.96 | 1.534 | 38.40 | 1.512 | 33.24 | 1.309 | 33.68 | 1.326 |
| 37 | 69.40 | 2.732 | 63.50 | 2.500 | 55.42 | 2.182 | 54.80 | 2.158 | 49.86 | 1.963 | 50.30 | 1.980 |

| REVISIONS | | | | |
|-----------|---------|--|------------|----|
| REV. | ECO. NO | DESCRIPTION | DATE | BY |
| C | 2637 | ADD FLAT CABLE SPECIFICATION IN NOTE 3 | 07/19/2012 | LH |
| D | 2688 | UPDATE INSULATOR SUPPORT HEIGHT MALE 17.3mm, FEMALE 17.2mm (WAS 17.58mm & 17.28mm) | 10/12/2012 | LH |



**WITHOUT INSULATOR SUPPORT
(SEE P/N CODING ITEM k:2)**

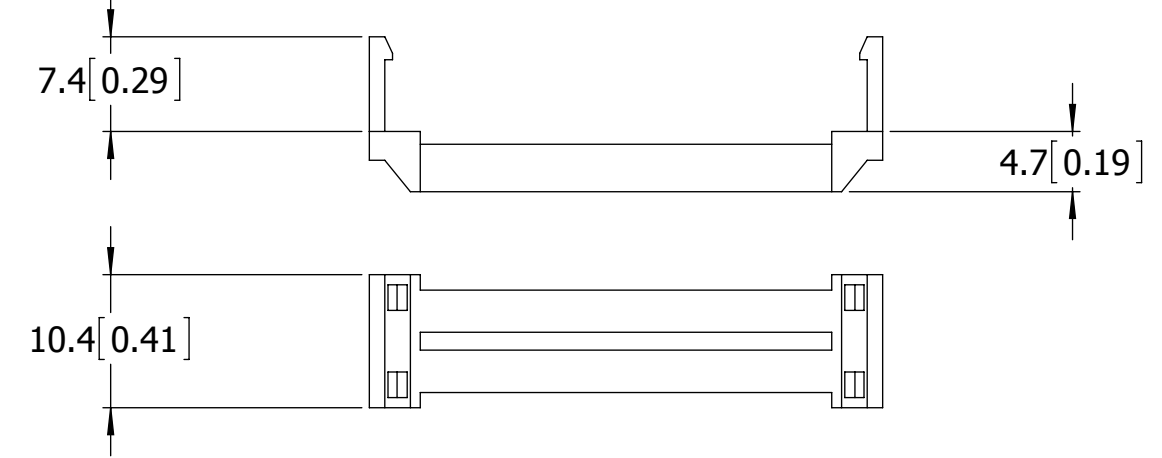
(PN EXAMPLE: SDS103-PRW2-M09-SN00-132)

**WITH INSULATOR SUPPORT
(SEE P/N CODING ITEM k:1)**

(PN EXAMPLE: SDS103-PRW2-M09-SN00-131)

NOTES:

- MATERIAL**
 INSULATOR : GLASS-FILLED THERMOPLASTIC PBT, UL94V-0
 CONTACT: BRASS
 SHELL : SPCC, .000100" TIN OVER .000050" MIN. COPPER (STANDARD, SEE PAGE 3)
 CLINCH NUT : BRASS, NICKEL PLATED
 SCREWLOCK : STEEL, NICKEL PLATED
 OPERATING TEMPERATURE : -55 °C TO +105 °C
- ELECTRICAL**
 CONTACT RESISTANCE : 20 MILLIOHMS MAX AT 1 AMP DC
 INSULATION RESISTANCE : 1000 MAGOHMS AT 500 VDC
 DIELECTRIC WITHSTANDING VOLTAGE : 1000 VAC/RMS 60Hz FOR 1 MINUTE
 CURRENT RATING : 3 AMPS
 VOLATGE RATING : 250 VAC/RMS 60Hz
- FOR 1.27mm [.050"] PITCH FLAT RIBBON CABLE, 28 AWG.**



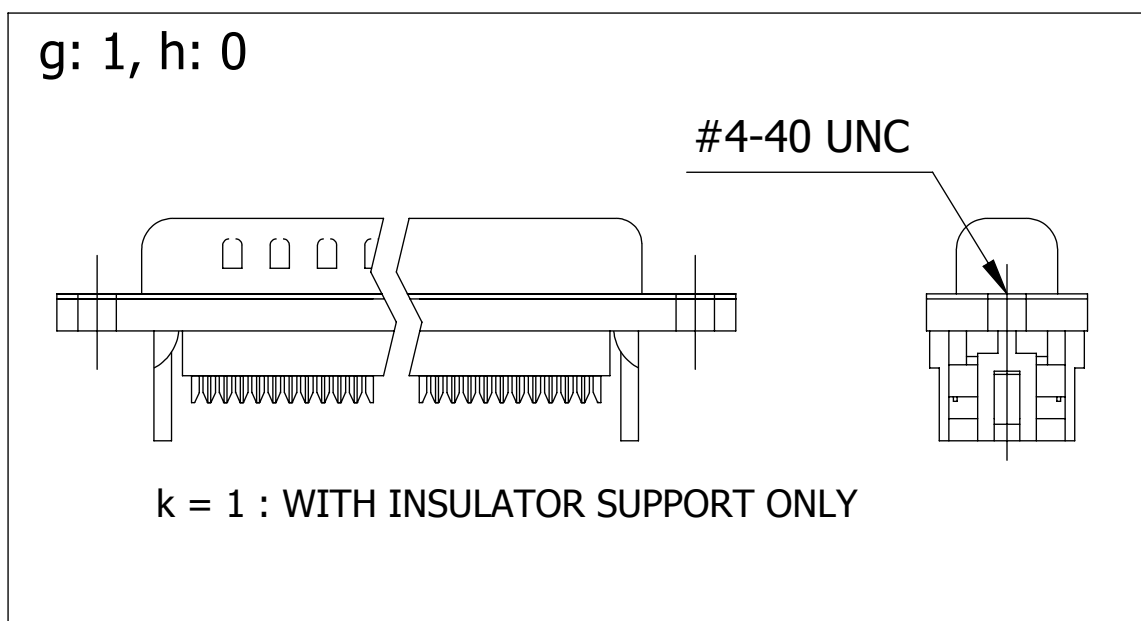
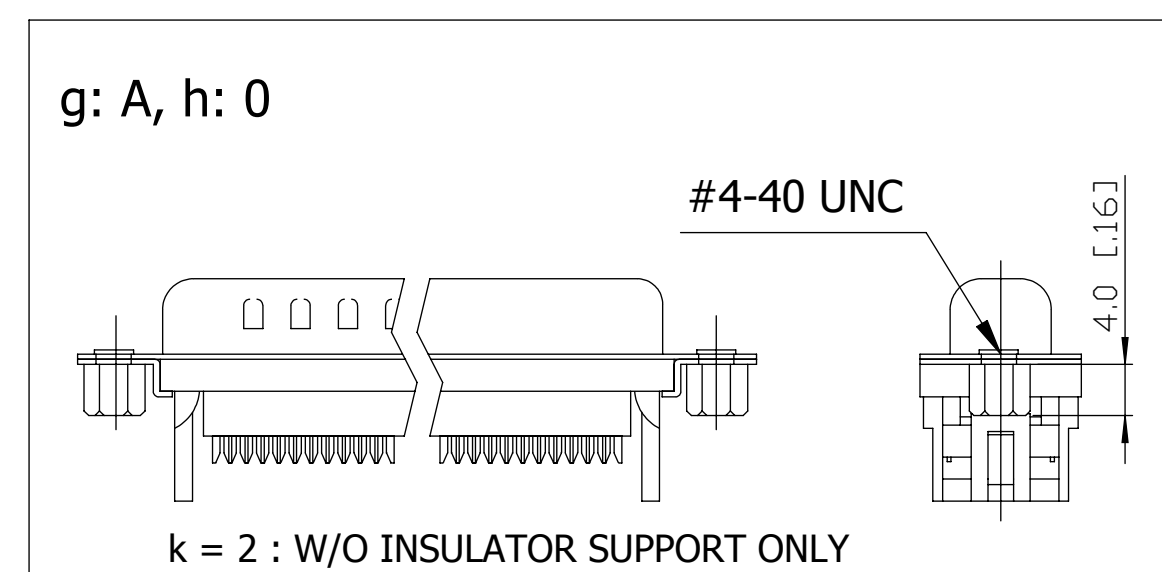
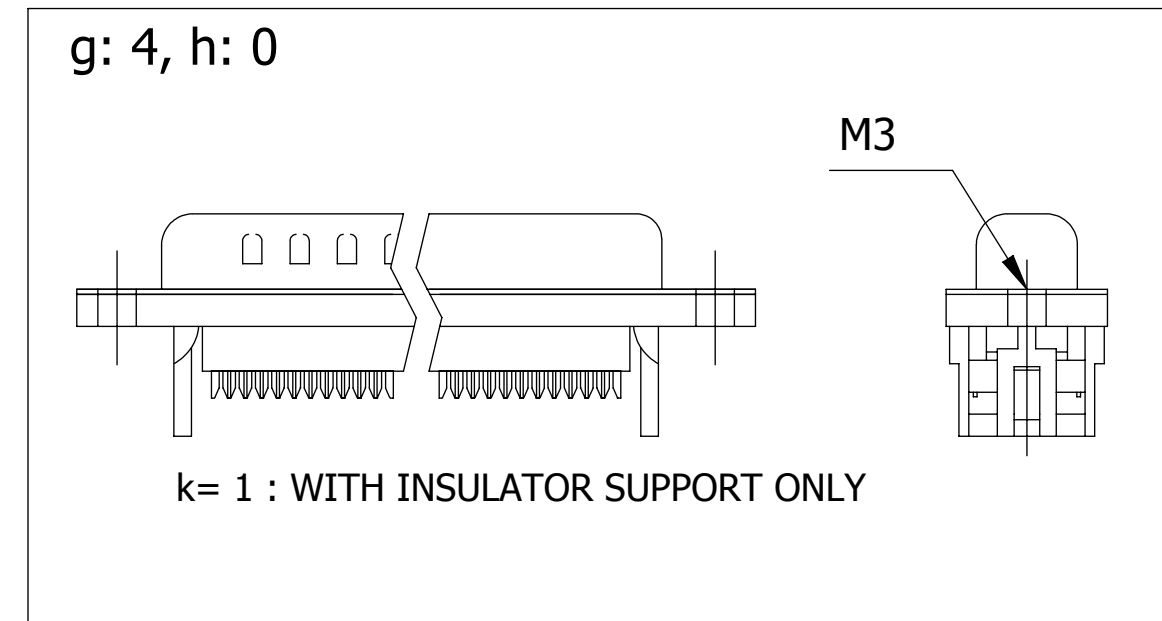
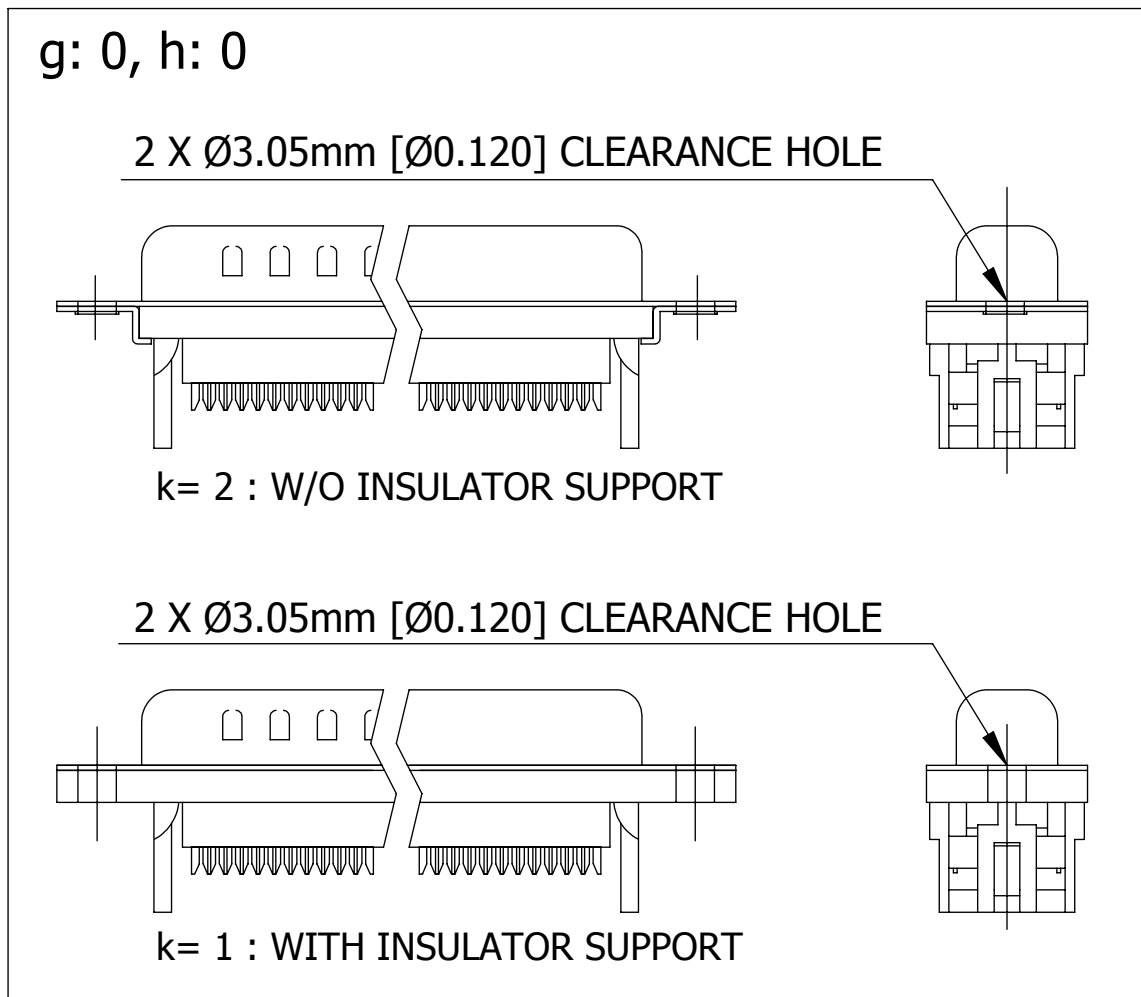
**STRAIN RELIEF
OPTIONAL SEE P/N CODING, ITEM j**



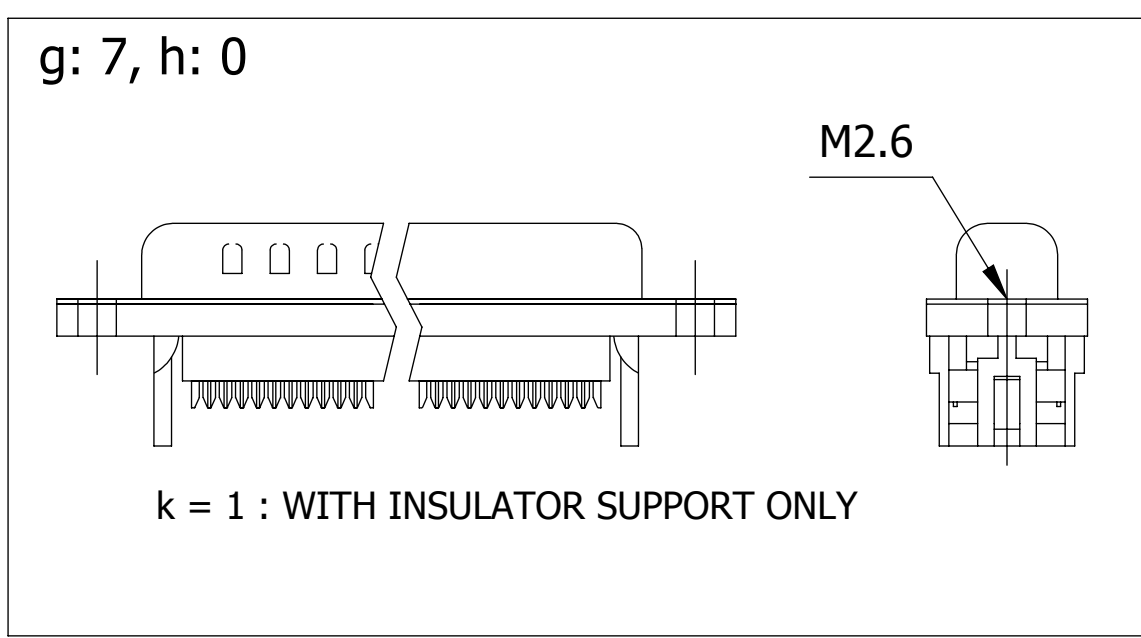
RoHS COMPLIANT

| | | | | |
|--|--|------------|--------------|---------------------------|
| UNLESS OTHERWISE SPECIFIED: DIMENSIONS ARE IN MM [INCHES] | DRAWN | DATE | NAME | |
| | | 07/01/2011 | LH | |
| TOLERANCES: ANGULAR: ± 3° DECIMALS X.= ± 0.38 [.015] X.= ± 0.25 [.010] .XX= ± 0.13 [.005] | THE INFORMATION HEREIN CONTAINS PROPRIETARY INFORMATION OF SULLINS ELECTRONICS AND IS NOT TO BE REPRODUCED, USED OR DISCLOSED TO OTHERS FOR ANY PURPOSE EXCEPT AS SPECIFICALLY AUTHORIZED IN WRITING BY AN OFFICER OF SULLINS ELECTRONICS. | | | TITLE |
| | | | | 103 SERIES D-SUB IDC TYPE |
| PART NUMBER | | | | REV |
| SDS103-PR - - -SN_0- | | | | D |
| SIZE | CAGE CODE | DWG. NO. | | |
| C | 54453 | 11799 | | |
| SCALE: 1:15 | | | SHEET 1 OF 3 | |

**g. FLANGE MOUNTING OPTION:
h. POSITION OF CLINCH NUT:**



**CONSULT SALES OR
FACTORY FOR OTHER
MOUNTING STYLE OPTIONS**



| | | | | | |
|---|-----------|------------|------|------------|---|
| UNLESS OTHERWISE SPECIFIED: DIMENSIONS ARE IN MM [INCHES] | | DRAWN | DATE | NAME | |
| TOLERANCES: ANGULAR: ± 3° DECIMALS X.= ± 0.38 [.015] X.= ± 0.25 [.010] .XX= ± 0.13 [.005] | | 07/01/2011 | LH | | |
| <small>THE INFORMATION HEREIN CONTAINS PROPRIETARY INFORMATION OF SULLINS ELECTRONICS AND IS NOT TO BE REPRODUCED, USED OR DISCLOSED TO OTHERS FOR ANY PURPOSE EXCEPT AS SPECIFICALLY AUTHORIZED IN WRITING BY AN OFFICER OF SULLINS ELECTRONICS.</small> | | | | | TITLE 103 SERIES D-SUB IDC TYPE |
| PART NUMBER SDS103-PR - - - - -SN_0- | | | | | REV D |
| SIZE | CAGE CODE | DWG. NO. | | SCALE: 1:8 | SHEET 2 OF 3 |
| C | 54453 | 11799 | | | |

SDS103-PR - - - -SN_0 - - - -

a b
c d
e f
g h
i j
k

a. CONTACT PLATING

(ALL PLATINGS HAVE .000050" NICKEL UNDERPLATE)
 W = GOLD FLASH ON CONTACT SURFACE,
 .000100" PURE TIN ON TERMINATION.
 B = .000010" GOLD ON CONTACT SURFACE,
 .000100" PURE TIN ON TERMINATION.
 U = .000015" GOLD ON CONTACT SURFACE,
 .000100" PURE TIN ON TERMINATION.
 C = .000030" GOLD ON CONTACT SURFACE,
 .000100" PURE TIN ON TERMINATION.

b. SHELL PLATING

1 = NICKEL
 2 = TIN (STANDARD)

c. CONTACT TYPE

M = MALE
 F = FEMALE

d. NO. OF CONTACTS

09 = 09 POSITIONS
 15 = 15 POSITIONS
 25 = 25 POSITIONS
 37 = 37 POSITIONS

e. PIN TYPE

S = STAMPED PIN

f. FERRITE

N = WITHOUT FERRITE

g. FLANGE MOUNTING OPTION

0 = Ø3.05mm [Ø0.120] CLEARANCE HOLE
 1 = #4-40 FEMALE THREAD
 4 = M3 FEMALE THREAD
 7 = M2.6 FEMALE THREAD
 A = #4-40 FEMALE THREAD, 4.0mm[0.16] REAR CLINCH NUT

h. POSITION OF CLINCH NUT

0 = NOT APPLICABLE

i. INSULATOR COLOR

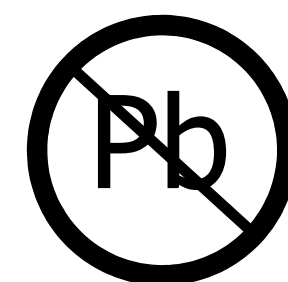
1 = BLACK (STANDARD)
 2 = BLUE

j. STRAIN RELIEF TYPE

1 = PLASTIC STRAIN RELIEF
 2 = METAL SHELL STRAIN RELIEF
 3 = WITHOUT STRAIN RELIEF

K. INSULATOR SUPPORT TYPE (SEE PAGE 2 FOR AVAILABLE MOUNTING OPTION)

1 = WITH INSULATOR SUPPORT
 2 = W/O INSULATOR SUPPORT



RoHS COMPLIANT

| | | | | | | | |
|---|--|--|------------|----------|--------------|---------------------------|--|
| UNLESS OTHERWISE SPECIFIED: DIMENSIONS ARE IN MM [INCHES] | | DRAWN | DATE | NAME | | | |
| | | | 07/01/2011 | LH | | | |
| TOLERANCES: ANGULAR: ± 3° DECIMALS X.=± 0.38 [.015] X.=± 0.25 [.010] .XX=± 0.13 [.005] | | THE INFORMATION HEREIN CONTAINS PROPRIETARY INFORMATION OF SULLINS ELECTRONICS AND IS NOT TO BE REPRODUCED, USED OR DISCLOSED TO OTHERS FOR ANY PURPOSE EXCEPT AS SPECIFICALLY AUTHORIZED IN WRITING BY AN OFFICER OF SULLINS ELECTRONICS. | | | | TITLE | |
| | | | | | | 103 SERIES D-SUB IDC TYPE | |
| | | PART NUMBER | | | | REV | |
| | | SDS103-PR - - - -SN_0 - - - - | | | | D | |
| | | SIZE | CAGE CODE | DWG. NO. | SHEET 3 OF 3 | | |
| | | C | 54453 | 11799 | | | |
| | | SCALE: 1:8 | | | | | |