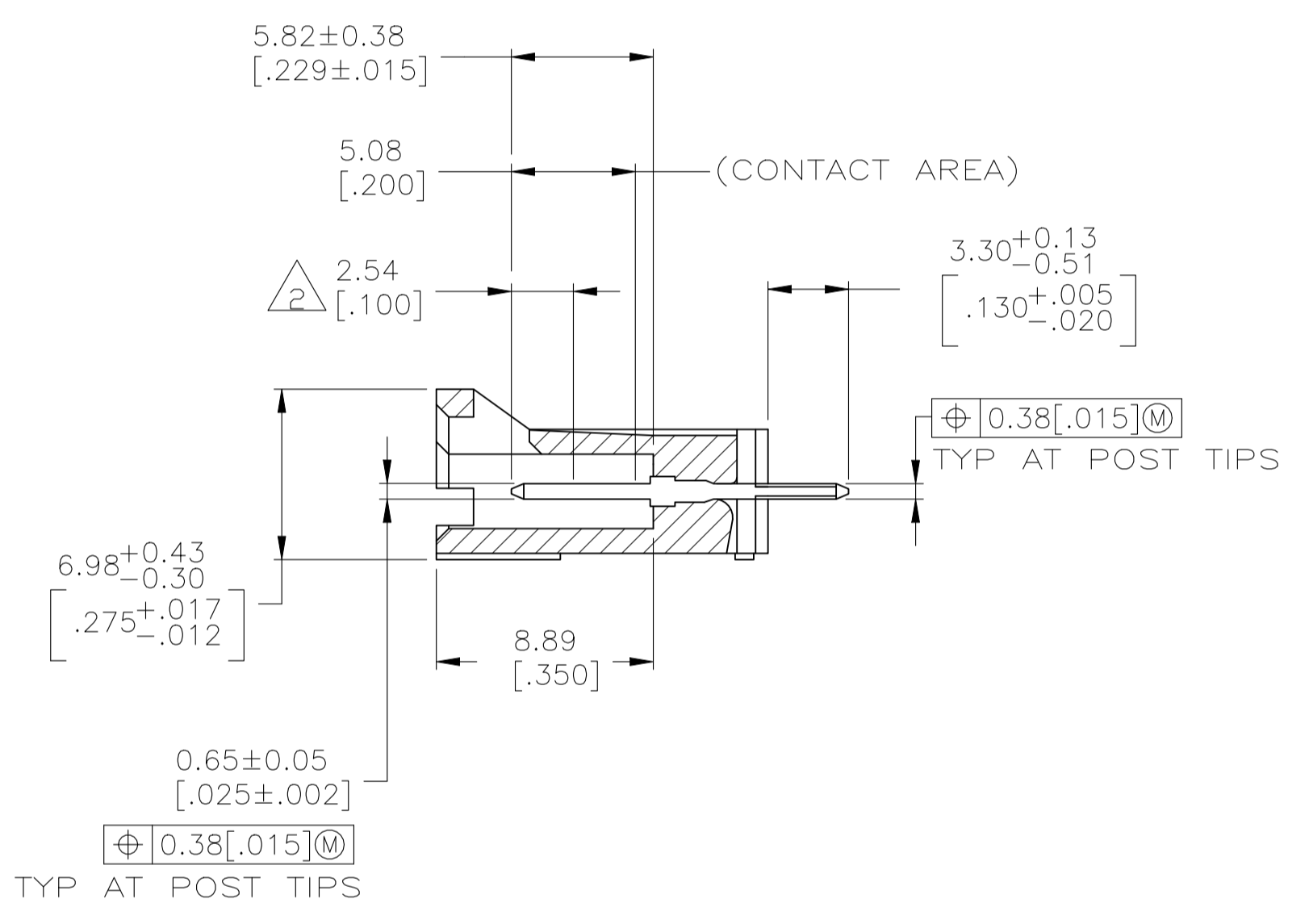
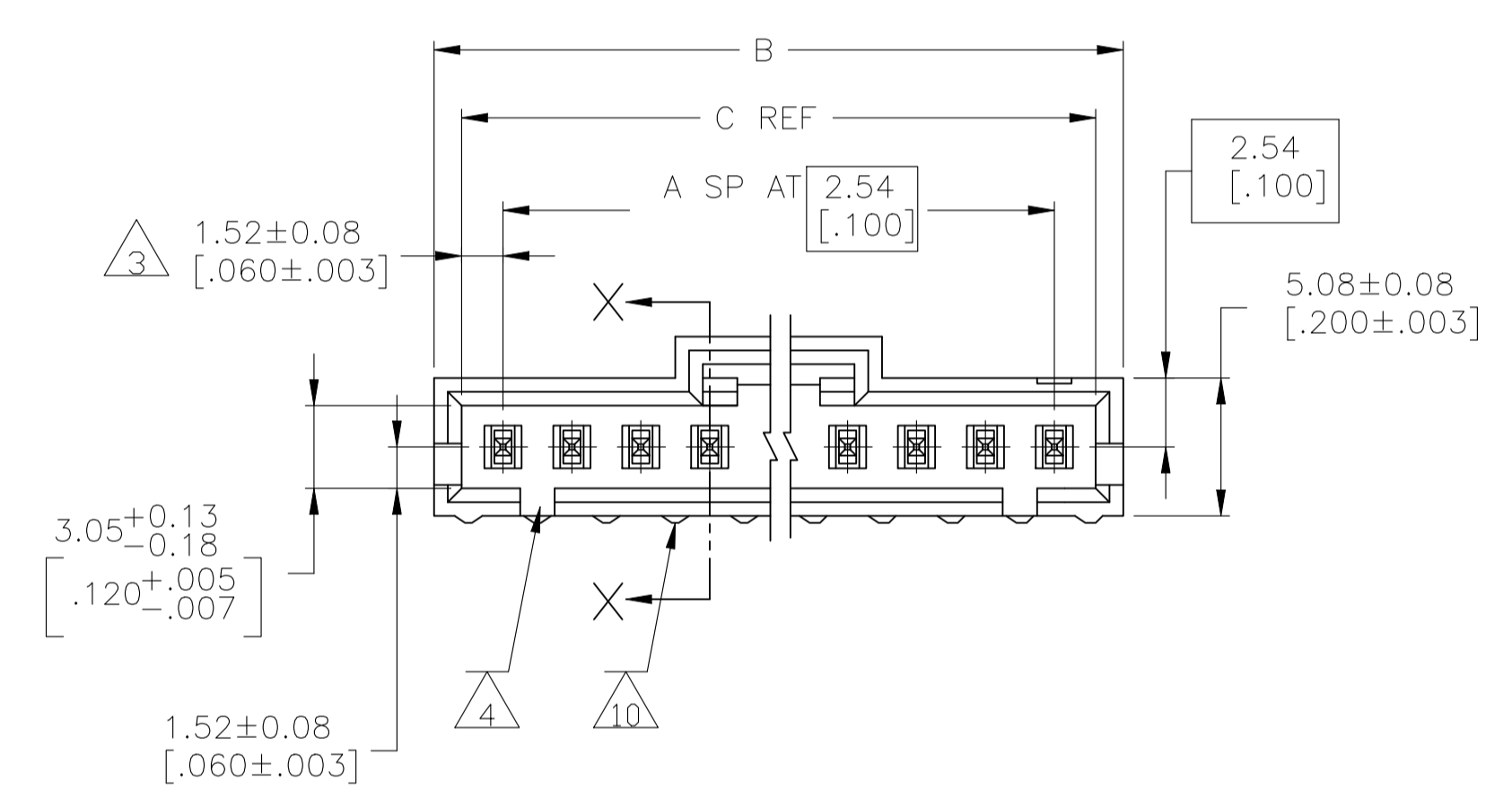
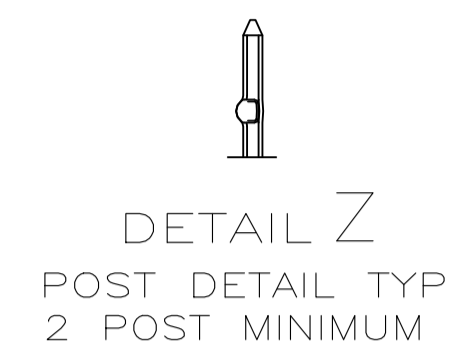
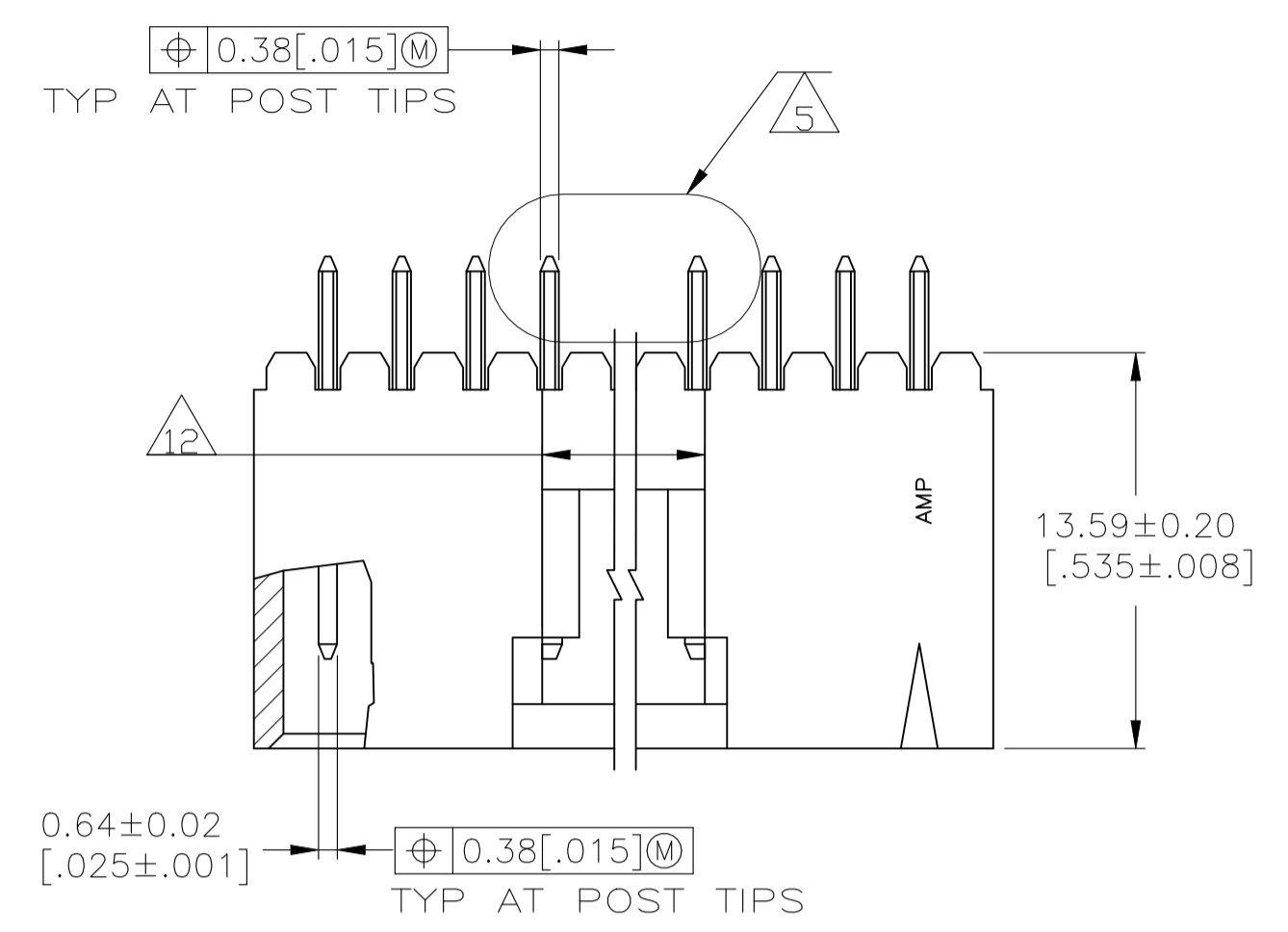
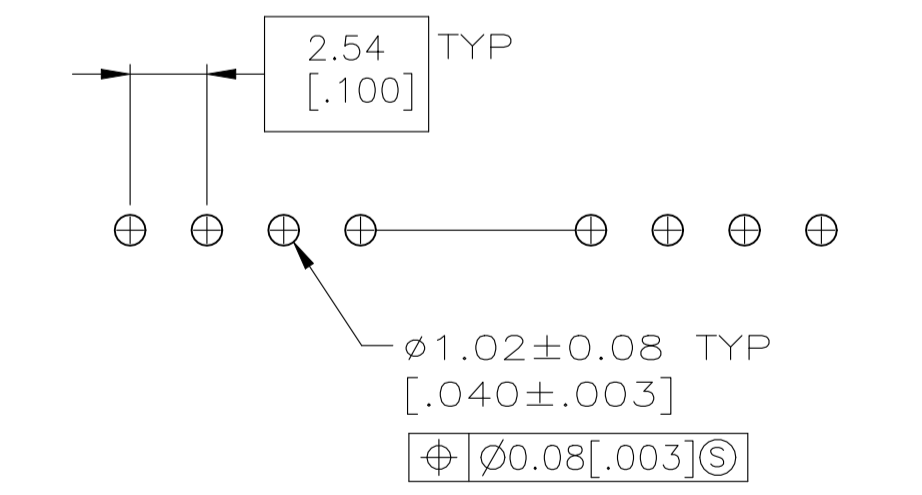


REVISIONS					
REV	DESCRIPTION	DATE	BY	APPV	
D	REVISED PER ECO-20-001327	04JUN2020	SB	JO	

- 1 .00254[.000100] BRIGHT TIN OVER .00127[.000050] NICKEL.
- 2 POINT OF MEASUREMENT FOR PLATING THICKNESS.
- 3 THE NOTED DIMENSIONS APPLY AT THE INTERSECTION OF THE POST AND THE HOUSING.
- 4 ON ASSEMBLIES WITH FOUR OR MORE POSITIONS, TWO POLARIZATION SLOTS.  
ON ASSEMBLIES WITH TWO OR THREE POSITIONS, ONE POLARIZATION SLOT.
- 5 SELECT POST TAILS FORMED TO PROVIDE CONNECTOR HOLD DOWN UNTIL SOLDERED. CONFIGURATION ACCEPTS 0.69[.027]-2.03[.080] THICK PRINTED CIRCUIT BOARD. ( SEE DETAIL Z ).
- 6 PARTS TO BE PACKAGED IN A SINGLE OUT TUBE.
- 7 MATERIAL: HOUSING: FLAME RETARDANT LCP, COLOR - BLACK.  
CONTACTS: BRASS.
- 8 .00254[.000100] MATTE TIN OVER .00127[.000050] NICKEL.
- 9 HIGH TEMPERATURE CONFIGURATION
- 10 STANDOFFS NOT PRESENT ON UNDERSIDE OF ASSEMBLY
- 11 OBSOLETE PARTS: OBSOLETE CIS STREAMLINING PER D.RENAUD/D.SINISI
- 12 0.25 [.010] RECESS PERMISSIBLE IN THIS AREA FOR MOLD SHUT OFF



SECTION X-X



RECOMENDED HOLE LAYOUT

OBSOLETE	9	10	8	36.07 [1.420]	37.97 [1.495]	13	14	5-147060-2
	9	10	8	8.13 [0.320]	10.03 [0.395]	2	3	5-147060-1
OBSOLETE	9		1	36.07 [1.420]	37.97 [1.495]	13	14	147060-2
	9		1	8.13 [0.320]	10.03 [0.395]	2	3	147060-1
REMARKS	PLATING	C	B	A	NO. OF POSN	PART NO.		

THIS DRAWING IS A CONTROLLED DOCUMENT.		DIN S. SHUEY 3-5-91	TE Connectivity	
DIMENSIONS: mm [INCHES]		CHK: M. RIDER 2-14-92	NAME: HDR ASSY,VERT,SINGLE ROW 2.54[.100]CL,0.64[.025]SQ POST, WITH PLZN&RETENTIVE POSTS.	
TOLERANCES UNLESS OTHERWISE SPECIFIED:		APVD: -	PRODUCT SPEC: 108-25034	
0. PLC ± -		APPLICATION SPEC: 114-25026		
1. PLC ± -		SIZE: A1		
2. PLC ± 0.13[0.005]		WEIGHT: 0.000000		
3. PLC ± -		CUSTOMER DRAWING		
4. PLC ± -		SCALE: 4:1		
ANGLES ± -		SHEET 1 of 1		
FINISH: SEE TABLE		REV D		