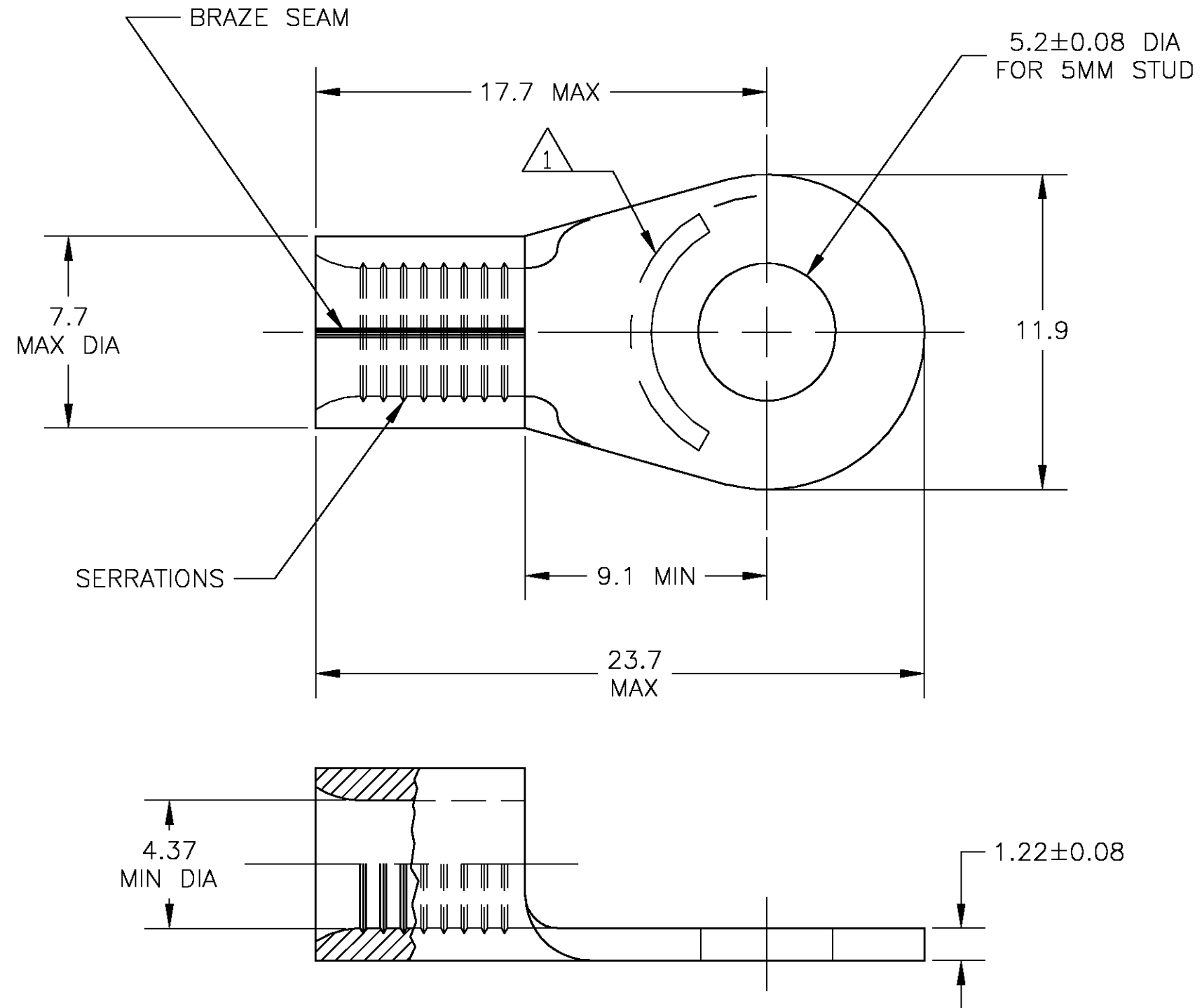


THIS DRAWING IS UNPUBLISHED. RELEASED FOR PUBLICATION
 © COPYRIGHT BY TYCO ELECTRONICS CORPORATION. ALL RIGHTS RESERVED.

LOC	DIST	REVISIONS					
G	05	P	LTR	DESCRIPTION	DATE	DWN	APVD
		B1		REV PER ECR 05-004247	08JUN05	JR	TM



- 1 STAMP "AMP 8*" , APPROX AS SHOWN
- 2 COPPER PER ASTM B-152, ANNEALED
- 3 0.00254 MIN THK TIN PER ASTM B-545
- 4 170°C MAX RECOMMENDED OPERATING TEMPERATURE.
- 5 WIRE CROSS SECTIONAL AREA RANGE: 6.64-10.5mm² (13-100-20,800) CMA SOLID OR STRANDED

AMP WIRE RANGE
8 AWG SOLID OR STRANDED

500	LOOSE PIECE	160013
QTY	PACKAGE TYPE	PART NO.

THIS DRAWING IS A CONTROLLED DOCUMENT.		DWN	jr ruth	08JUN05	tyco Electronics	Tyco Electronics Corporation Harrisburg, Pa 17105-3608					
DIMENSIONS: MM INCHES		CHK	T MICHIELUTTI	08JUN05		NAME	TERMINAL, RING TONGUE, SOLISTRAND				
		APVD	T MICHIELUTTI	08JUN05							
		TOLERANCES UNLESS OTHERWISE SPECIFIED:		PRODUCT SPEC		SIZE		CAGE CODE	DRAWING NO	RESTRICTED TO	
0 PLC ± - 1 PLC ± - 2 PLC ± - 3 PLC ± - 4 PLC ± - ANGLES ± 5°		MATERIAL		FINISH	A3 00779		C=160013				
				CUSTOMER DRAWING		SCALE	1:1	SHEET	1 OF 1	REV	B1