



Phone: (800) 694-8089  
 www.lodestonepacific.com  
 E-mail: sales@lodestonepacific.com

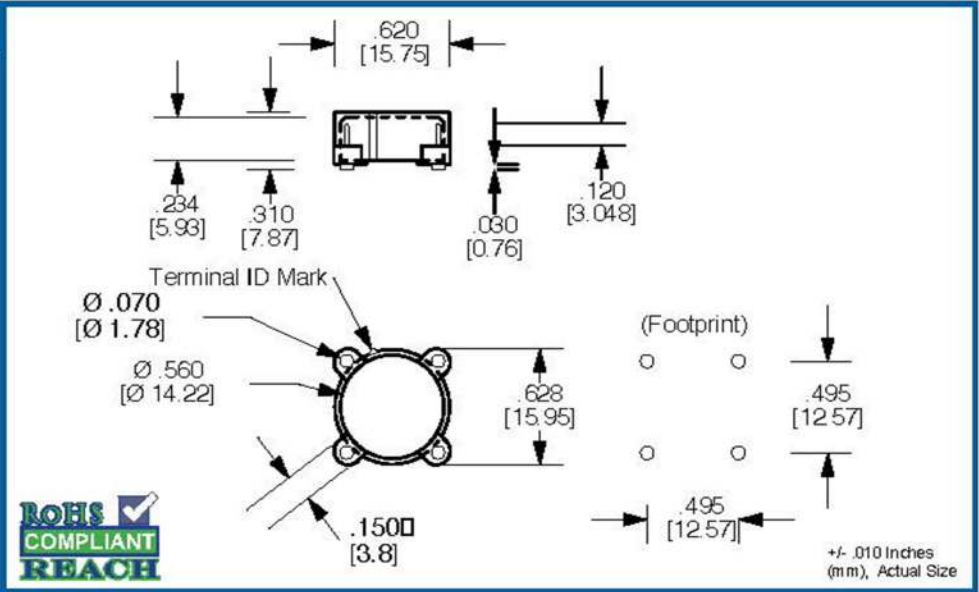
## STM560-4

**Material:** DAP4 (Black)  
**UL Rating:** UL94-V0, Class F  
**4 Terminals:** Brass - Nickel Flash  
 100% Tin Plate  
**Solderability:** MIL-STD-202  
 Method 208

**Package Method:** Bulk in Poly Bags  
 See RoHS compliant PVC packaging trays,  
 or tape and reel options on page 57.

**Application:** For low profile surface  
 mounting of wound toroids up to .560  
 inches in diameter. "Lunar Lander" de-  
 sign improves coplainarity and terminal  
 durability. Ideal for pick and place.

Made in our China factory



[Request a Sample](#)

[View Inventory](#)

[Request a Quote](#)

[Toroid Mount Selector](#)

[REACH Database](#)

[Coil Winder Database](#)