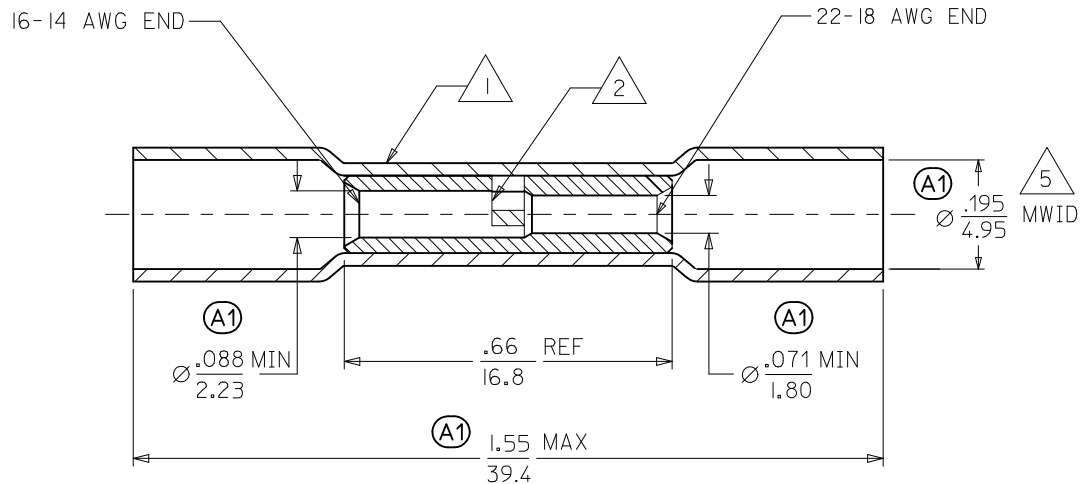
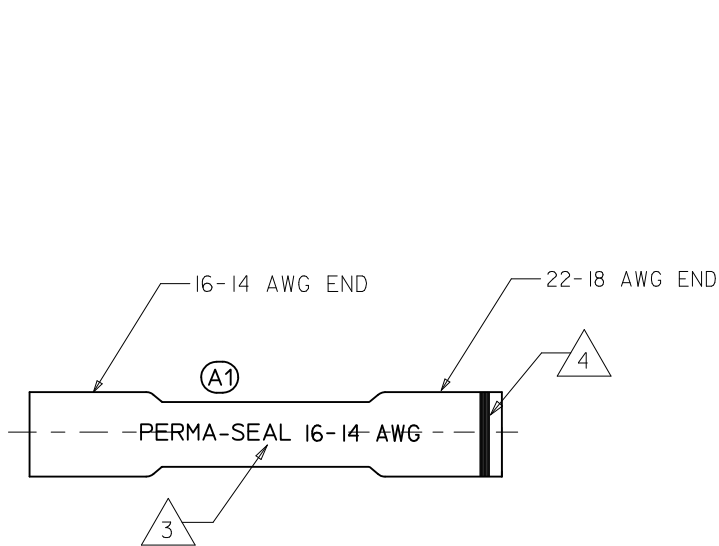


MATERIAL NUMBER	ENGINEERING NUMBER
191640043	SBA-631



NOTES

- 1. INSULATION MATERIAL: HEAT SHRINKABLE TUBING WITH HOTMELT INNER LINER, COLOR BLUE.
- 2. SEAMLESS TIN PLATED COPPER TERMINAL.
- 3. PRINTED TEXT IN BLACK .06 HIGH AS SHOWN. DIRECTION CAN BE REVERSED DUE TO MFG PROCESSES.
- 4. RED STRIPE ORIENTATED ON 22-18 AWG END OF CONNECTOR.
- 5. MWID-MAXIMUM WIRE INSULATION DIAMETER.
- (A1) 6. PART IS ROHS COMPLIANT.

SALES DRAWING

UPDATE TOLERANCES EC NO: WNA2012-0117 DRW: NETHRODAHL 2011/08/25 CHKD: JMACNEIL 2011/08/25 APPR: JMACNEIL 2011/08/26	DESCRIPTION REV A1	QUALITY SYMBOLS	GENERAL TOLERANCES (UNLESS SPECIFIED)	DIMENSION STYLE	SCALE	DESIGN UNITS	THIRD ANGLE PROJECTION	
		▼=0 ∇=0	mm INCH 4 PLACES ± --- ± --- 3 PLACES ± --- ± --- 2 PLACES ± --- ± --- 1 PLACE ± --- ± --- ANGULAR ± ---°	IN/MM	---	INCH	DRAWN BY DATE RCM 1991/10/28 CHECKED BY DATE JM 1991/10/28 APPROVED BY DATE	TITLE STEP DOWN BUTT SPLICE PERMA-SEAL 16-14 AWG 22-18 AWG
		DRAFT WHERE APPLICABLE MUST REMAIN WITHIN DIMENSIONS	MATERIAL NO.	DOCUMENT NO.	SHEET NO.			
		SEE CHART	SD-19164-029	1 OF 1				