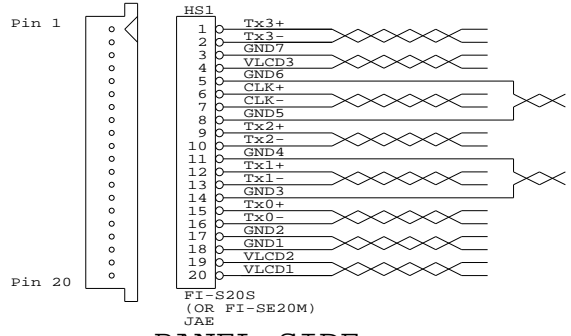
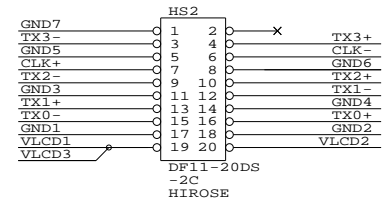


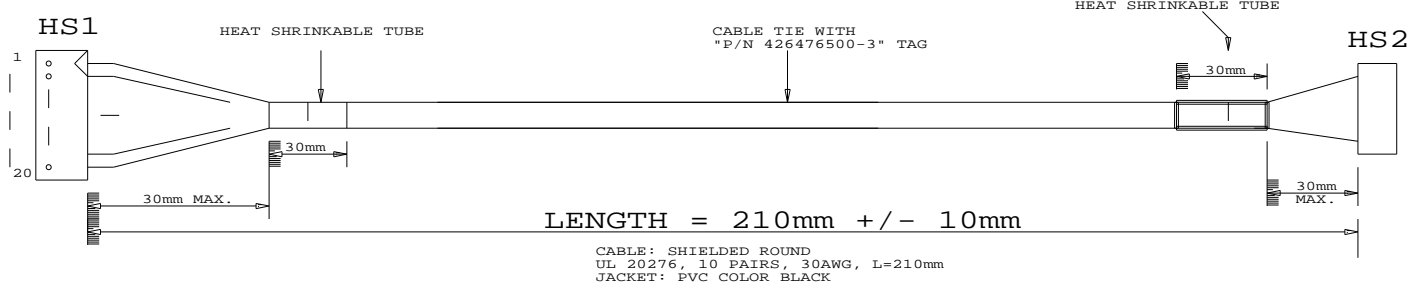
TOLERANCE :
 +1.0mm
 -1.0mm



PANEL SIDE



JAE
 FI-S20S



HS2
 HIROSE
 DF11-20DS-2C

USAGE:
 CABLE FOR NEC NL10276BC16-01 PANEL
 (WITH DM1000)

P/N 426476500-3
 LVDS PANEL CABLE: NEC NL10276BC16-01, 210mm (DM1000)

RoHS
 COMPLIANCE

DIGITAL VIEW LTD. COPYRIGHT 2009, ALL RIGHTS RESERVED CONFIDENTIAL		
DRAWN BY: VICTOR NG		
Title	LVDS CABLE: NEC NL10276BC16-01, 210mm(DM1000)	
Size	Document Number	REV
B	(...\DV\DV_CABLE\C6476500.SCH)	00
Date:	March 5, 2009	Sheet 1 of 1