

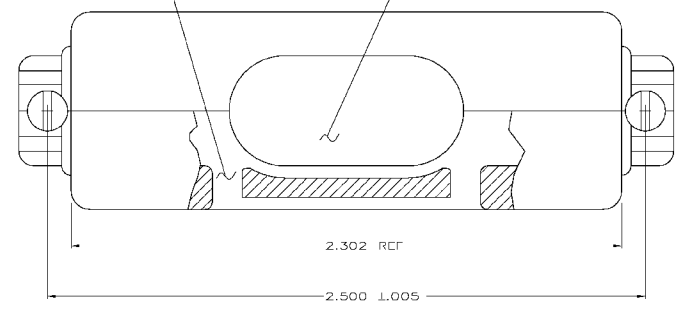
THIS DRAWING IS UNFORGIVEN... RELEASED FOR PUBLICATION...
 BY TICO ELECTRONICS CORPORATION ALL RIGHTS RESERVED

REV. NO.		DATE		REVISIONS		
BY	CHK	DATE	DESCRIPTION	DATE	CHK	APP'D
GP	00					
B			REVISED PER CC 0513-0512-03		DMARKA	BM JG

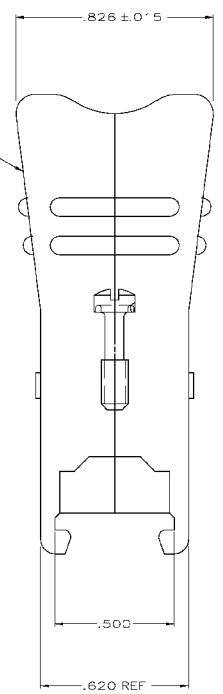
- 1 THIS PART WILL FIT ANY SIZE 4 PLUG OR RECEPTACLE IN THE AMPLIMITE SERIES CONNECTOR.
- 2 ALL PARTS ARE PACKAGED UNASSEMBLED.
- \triangle ONE KIT PER POLY BAG.
- \triangle SAME AS -1 EXCEPT BULK PACKAGED

INTERNAL CABLE TIE OPENINGS

CABLE OPENING OF .358 SQUARE INCHES \approx .675 DIA

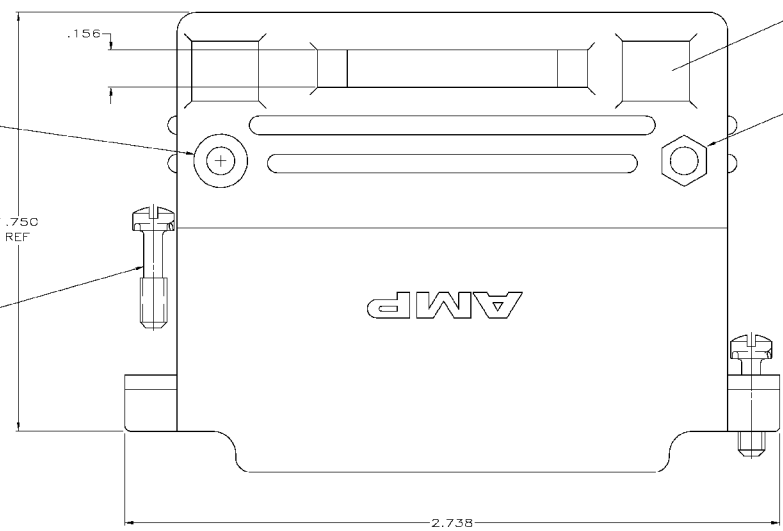


TWO PIECE CABLE SUPPORT HOUSING MATERIAL - THERMOPLASTIC GRAY



#4-40 STEEL SCREW ZINC PLATED 2 REQUIRED

#4-40 CRS SCREW ZINC PLATED 2 REQUIRED



EXTERNAL CABLE TIE OPENINGS

#4-40 HEX NUT STEEL ZINC PLATED

\triangle	745081-2
\triangle	745081-1
PACKAGING	PART NUMBER

THIS DRAWING IS A CONTROLLED DOCUMENT		DATE: 05/13/03	DRAWN BY: JG	DATE: 05/13/03	CHK'D BY: JG	DATE: 05/13/03	APP'D BY: JG	DATE: 05/13/03	REVISED PER: CC 0513-0512-03	DATE: 05/13/03	CHK'D BY: JG	DATE: 05/13/03	APP'D BY: JG
DESCRIPTION: CABLE SUPPORT ASSEMBLY, SIZE 4, 37 POSITION, 90/180, AMPLIMITE HD 23	QUANTITY: 1	DATE: 05/13/03	DRAWN BY: JG	DATE: 05/13/03	CHK'D BY: JG	DATE: 05/13/03	APP'D BY: JG	DATE: 05/13/03	REVISED PER: CC 0513-0512-03	DATE: 05/13/03	CHK'D BY: JG	DATE: 05/13/03	APP'D BY: JG
DATE: 05/13/03	DATE: 05/13/03	DATE: 05/13/03	DATE: 05/13/03	DATE: 05/13/03	DATE: 05/13/03	DATE: 05/13/03	DATE: 05/13/03	DATE: 05/13/03	DATE: 05/13/03	DATE: 05/13/03	DATE: 05/13/03	DATE: 05/13/03	DATE: 05/13/03