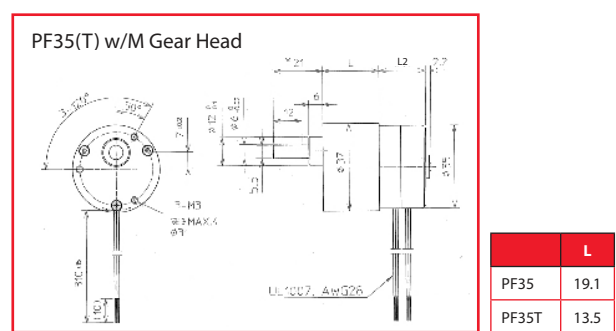


### Specifications

Specifications	Unit	PF35T-48			
Type of Winding		Unipolar		Bipolar	
Excitation Mode*		Full step (2-2)			
Step Angle	°	7.5 ±5%			
Steps Per Revolution*		48			
Winding		C	D	R	Q
Rated Voltage	V	12	5	12	5
Resistance	Ω	70	12	72	16
Inductance	mH	30	6.5	60	6.2
Holding Torque	mN-m	18	18	27	27
Rotor Inertia	kg-m <sup>2</sup>	2.7 x 10 <sup>-7</sup>			
Starting Pulse Rate*	pps	600			
Slewing Pulse Rate*	pps	610			
Operating Temp. Range	°C	-10 to +50			
Temperature Rise*	K	70			
Weight	g	77			

### Dimensions of Geared Model



Gear Ratio	1/5	1/6	1/10	1/12	1/15	1/18	1/25	1/30
Ordinary Gear Strength	100mN-m			200mN-m				
Destruction Gear Strength	300mN-m			600mN-m				

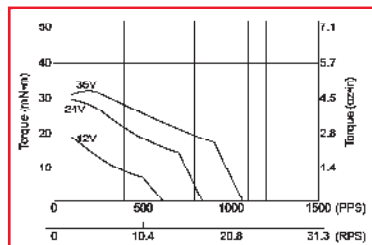
Gear Ratio	1/40	1/50	1/60	1/75	1/90	1/100	1/120
Ordinary Gear Strength	300mN-m				900mN-m		
Destruction Gear Strength	300mN-m				900mN-m		

Gear Ratio	1/5	1/6	1/10	1/18	1/30	1/40	1/50	1/60	1/75	1/90	1/100	1/120	1/125	1/150	1/180	1/200	1/300
L	19.5	19.5	19.5	19.5	19.5	21.7	21.7	21.7	21.7	21.7	21.7	21.7	23.8	23.8	23.8	23.8	23.8

Gear Ratio	1/125	1/150	1/180	1/200	1/250	1/300
Ordinary Gear Strength	600mN-m					
Destruction Gear Strength	1800mN-m					

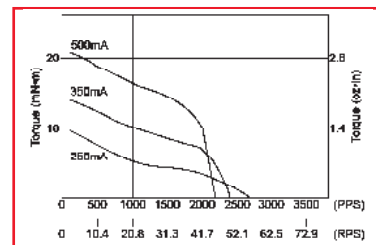
### Torque Curve (pull-out torque)\*

#### Bipolar Constant Voltage (48R1)



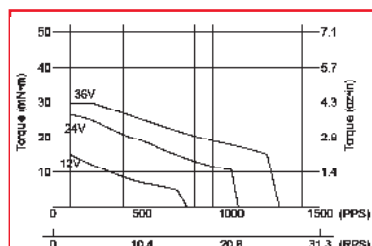
Coil Resistance: 72Ω

#### Bipolar Constant Current (48Q1)



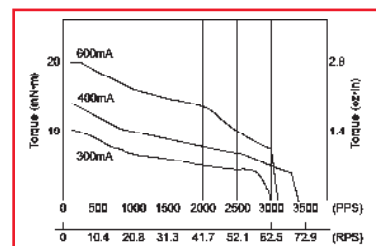
Coil Resistance: 16Ω Supply Voltage: 24V

#### Unipolar Constant Voltage (48C1)



Coil Resistance: 70Ω

#### Unipolar Constant Current (48D1)



Coil Resistance: 12Ω Supply Voltage: 24V

Available with H or M gearhead. See page 12 for H gearhead drawing.

\*Torque curves are for reference only and are not guaranteed  
All specifications are based on full-step constant voltage operation.  
Magnet type: Anisotropic