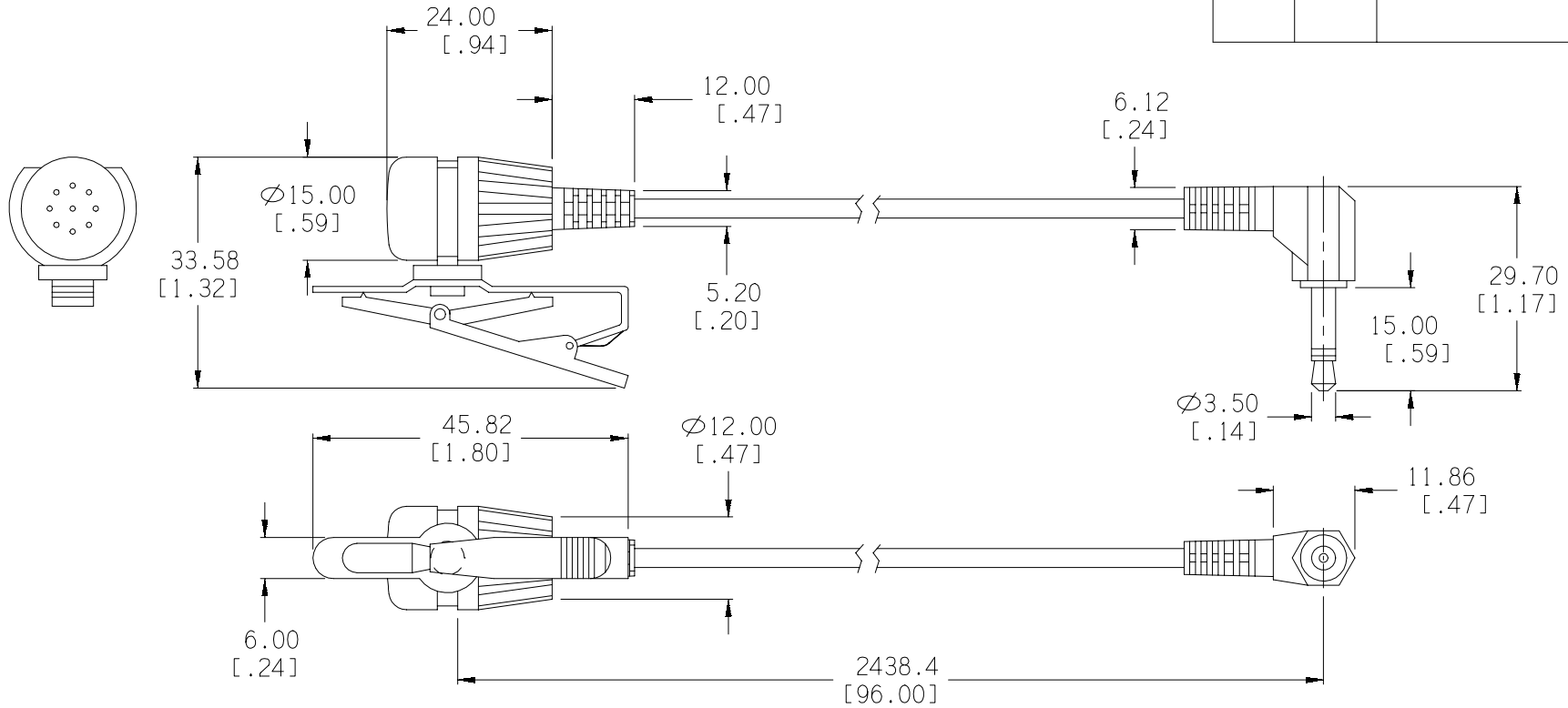



Date	SYM	REVISION RECORD	AUTH	DR.	CK.



NOTES:

DC MOLDED PLUG $\text{Ø}3.5$ (90°)
MICROPHONE 62db \pm 2db

Tolerance (Inches)	 Memory Protection Devices, Inc. 200 Broad Hollow Road, Farmingdale, New York 11735	Scale	Drawn By B.S.
Decimal $\pm .5$ (.020)		Approved By T.B.	
Fractional $\pm .8$ (.030)	Title MICROPHONE USED FOR AUTO, "HANDS FREE"		
Angular $\pm 3^\circ$	Date 03/12/01	Drawing Number ZC5330	