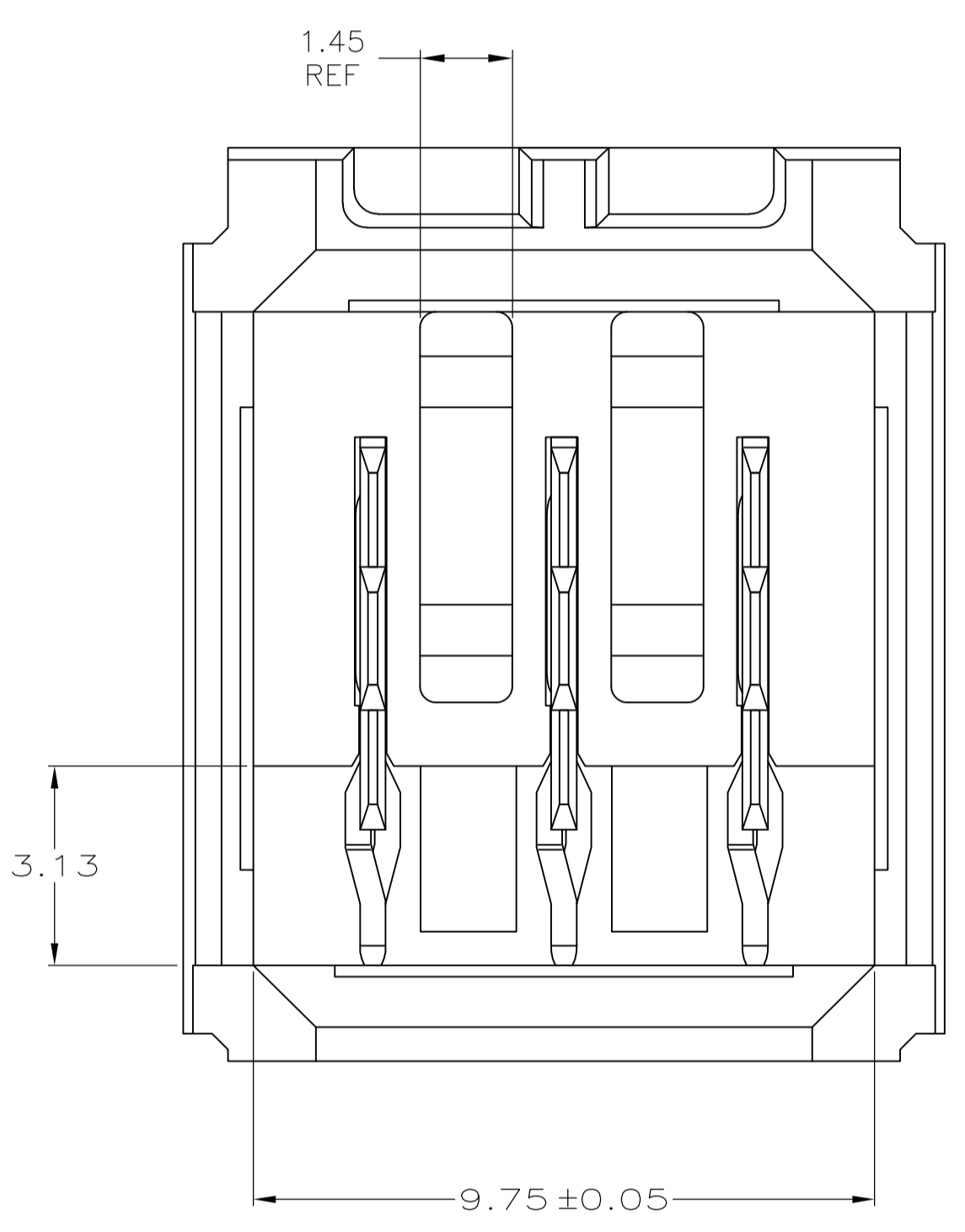
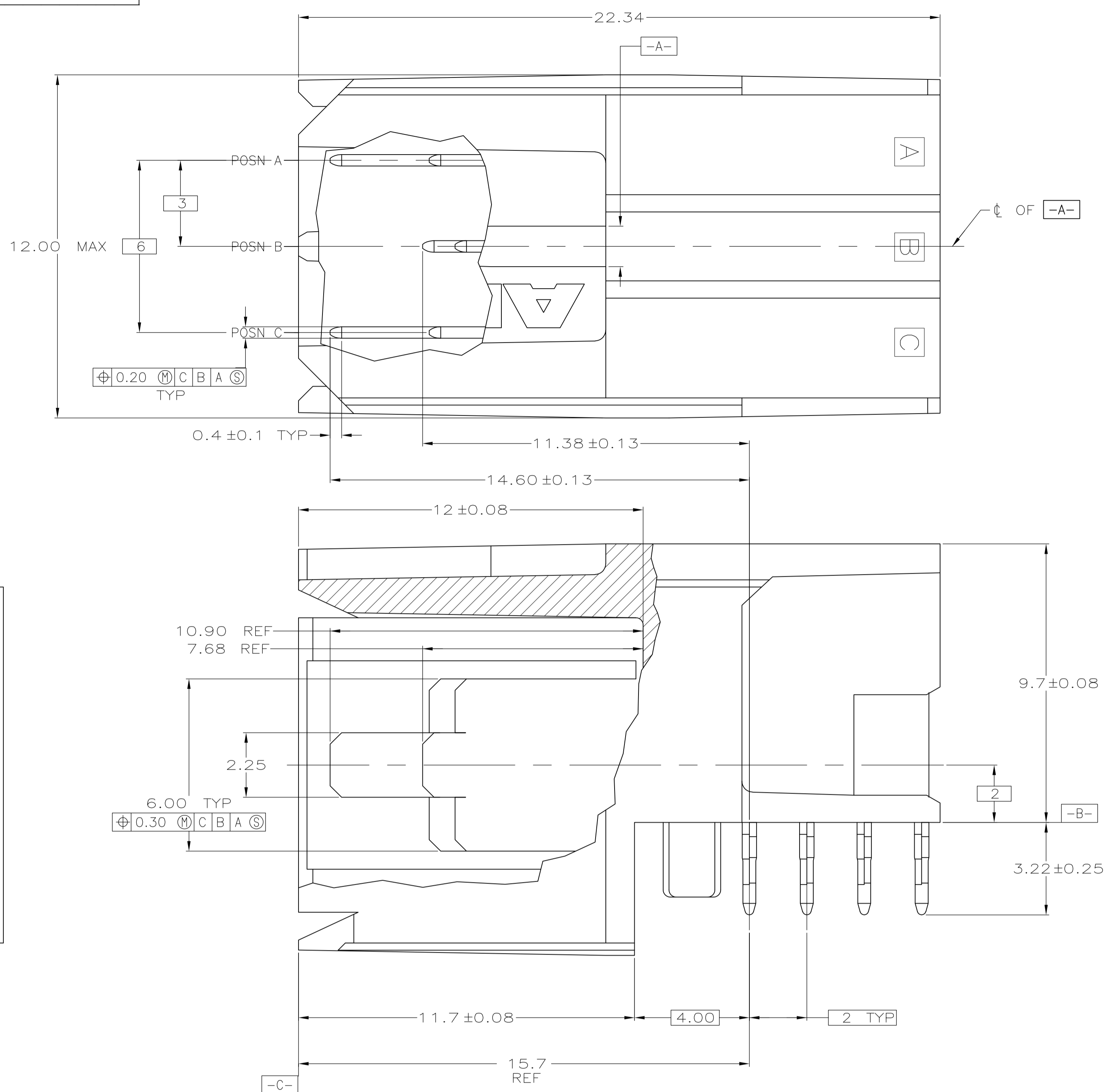
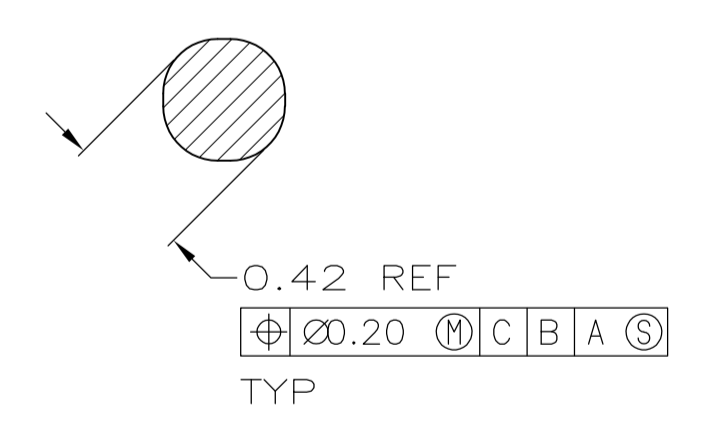
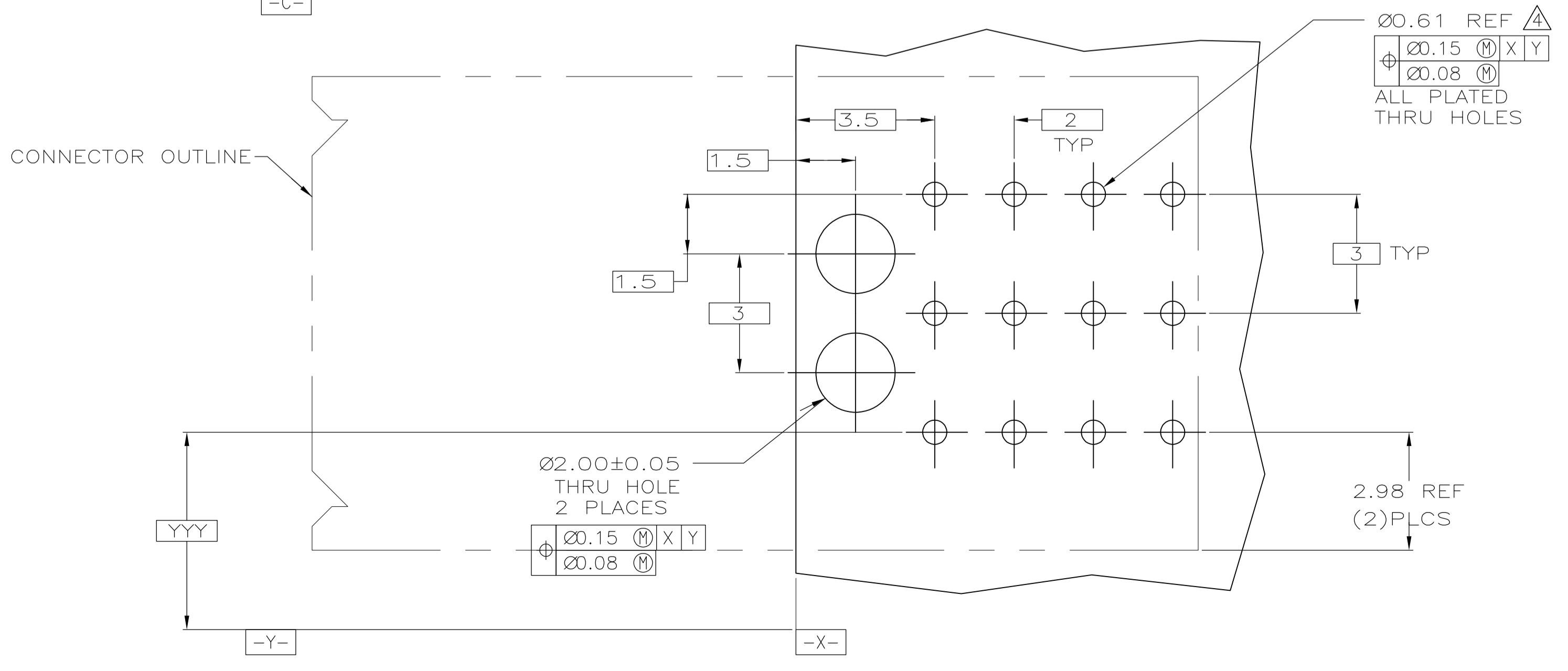
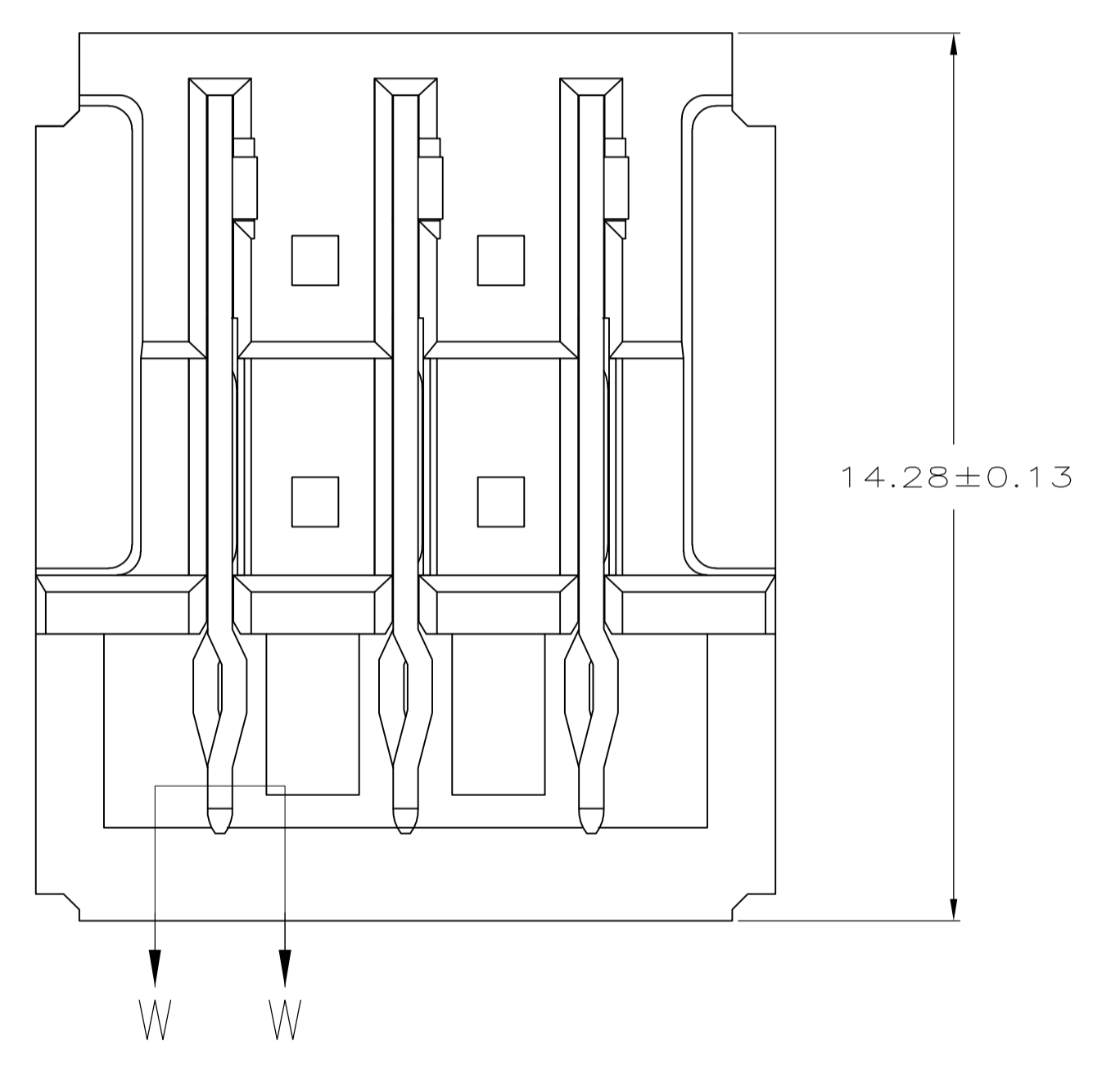


REVISONS		DATE	BY	APPV
AD	00	04JAN11	DH	DY
J		REVISED PER ECO-11-000045		



- △ MATERIAL: HOUSING: POLYESTER. COLOR: GRAY. UL 94V-0. CONTACT: PHOSPHOR BRONZE.
- △ FINISH: CONTACT MATING AREA: 1.27µm MIN GOLD OR 0.08µm MIN GOLD OVER 0.76µm MIN PALLADIUM-NICKEL. ACTION PIN AREA: 0.5µm MIN TIN LEAD PLATE, ALL OVER 1.27µm MIN NICKEL UNDERPLATE.
- △ FINISH: CONTACT LUBRICATION WITH BELLCORE APPROVED LUBRICANT. TECHNICAL REFERENCE: TR-NWT-001217 ISSUE 1, SEPT 1992.
- △ REFERENCE APPLICATION SPEC 114-1103 FOR RECOMMENDED PLATED THRU HOLE DIAMETER AND PLATING THICKNESSES.
- 5. CURRENT RATING 10A/CONTACT PER PRODUCT SPEC 108-1651.



SECTION W-W  
 SCALE 40:1

OBSELETE	GREEN	223972-5
	GRAY	223972-1
HOUSING COLOR	PART NUMBER	

THIS DRAWING IS A CONTROLLED DOCUMENT.		DIN J.LOCONDRIO 28JAN98	Tyco Electronics Corporation	
DIMENSIONS: mm		CHK L.S.BRINER 28JAN98	Harrisburg, PA 17105-3608	
TOLERANCES UNLESS OTHERWISE SPECIFIED:		APPV L.S.BRINER 28JAN98	NAME	
0. PLC	± -	PRODUCT SPEC		
1. PLC	± -	APPLICATION SPEC		
2. PLC	± 0.13	SIZE		
3. PLC	± -	CAGE CODE		
4. PLC	± -	DRAWING NO		
ANGLES	± -	RESTRICTED TO		
MATERIAL	FINISH	WEIGHT	A1 00779 C=223972	
CUSTOMER DRAWING		SCALE 10:1	SHEET 1 of 1	REV J