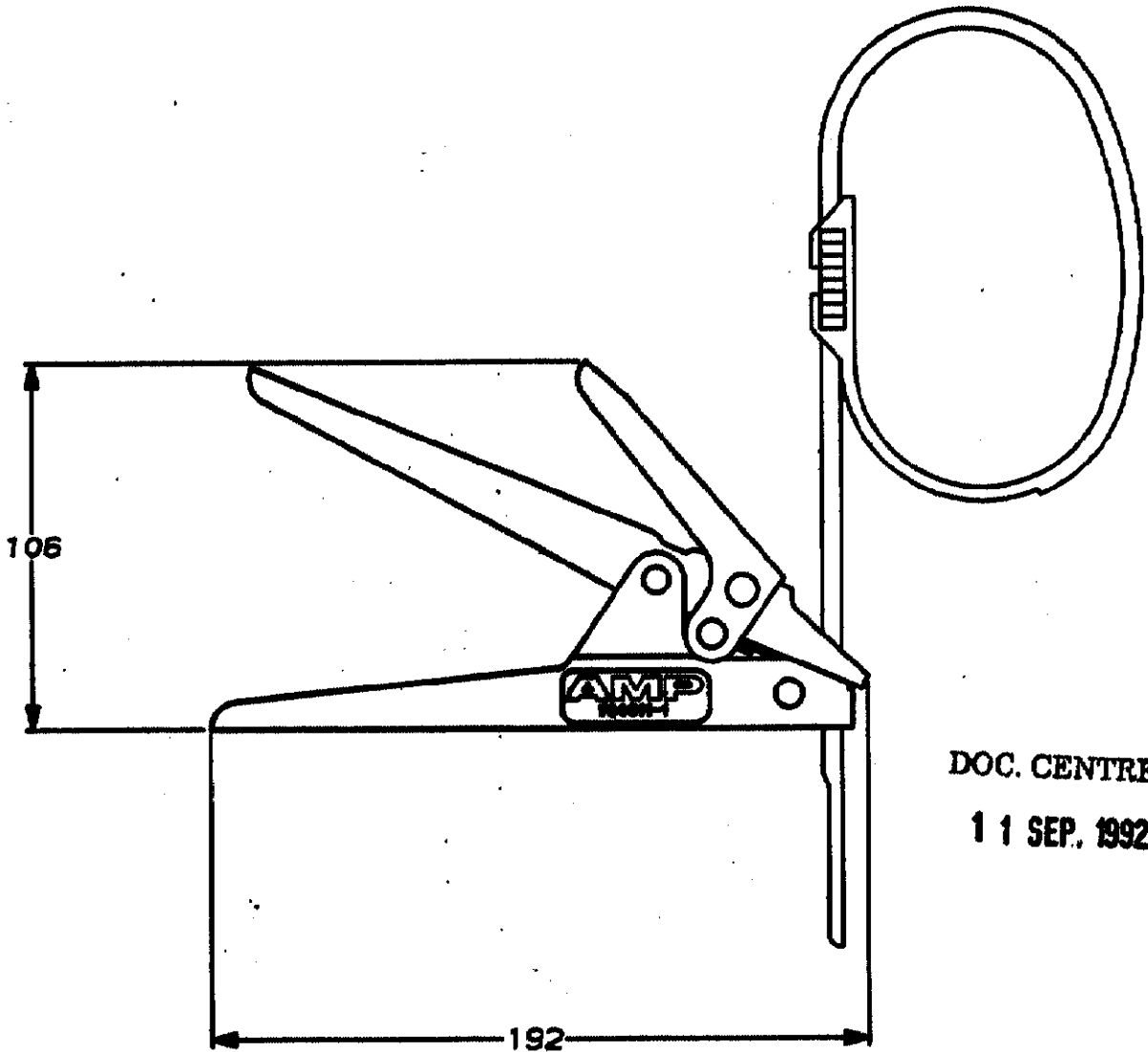


DO NOT SCALE

DIMENSIONS IN mm

METRIC

THIRD ANGLE
PROJECTION



DOC. CENTRE

11 SEP. 1992

					BLUE	STEEL	734611-1	
					FINISH	MATERIAL	PARTNUMBER	
-	-	-	-	-	CUSTOMER DRAWING		FOR REFERENCE ONLY WILL NOT BE UPDATED	
-	-	-	-	-	© COPYRIGHT 19- BY AMP HOLLAND B.V.		ALL INTERNATIONAL RIGHTS RESERVED. AMP PRODUCTS MAY BE COVERED BY U.S. AND FOREIGN AND/OR PATENTS PENDING.	
-	-	-	-	-	THIS DRAWING IS UNPUBLISHED		RELEASED FOR PUBLICATION	
-	-	-	-	-	AMP		AMP HOLLAND B.V. 's-Hertogenbosch, The Netherlands.	
0	H-9856	R.D.	R.V.	12-08-92	NAME		TOOL FOR CABLE-TIES (HEAVY DUTY)	
LTR.	REVISION RECORD	DR.	CHK.	DATE				
DR.:	R. DANEN	CHK.:	R. VOS	APP.:	L.v. SOEST	DWG. No.	REV. LTR.	SHEET
DATE:	12-08-92	DATE:	-	DATE:	-	C-734611	0	1 OF 1
								A 4