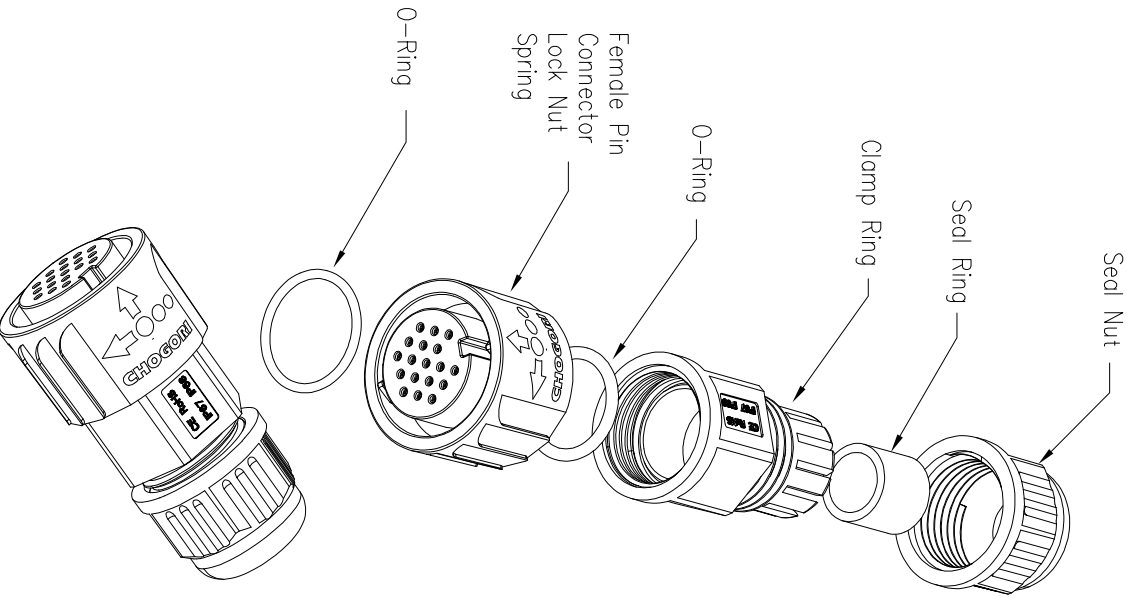
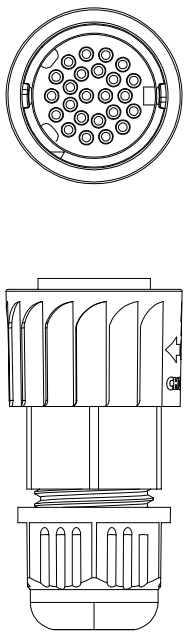
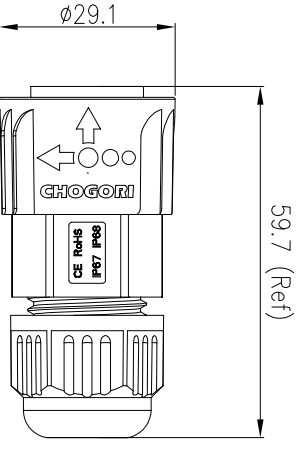


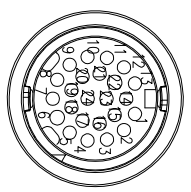
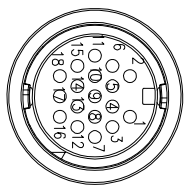
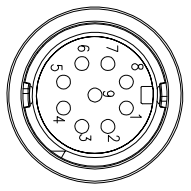
REV.	EN. NO.	DESCRIPTION	SIGN	DATE
C1	N/A	INITIAL DRAWING	Liu	2019/08/13



- Specification:**
- 1.Operation Temperature: -45°C~105°C.
 - 2.Insulation Resistance:100MΩ at DC500V.
 - 3.Contact Resistance:<10mΩ.
 - 4.Withstand Voltage: 1500V AC
 - 5.Operating Current:5A
 - 6.Operating Voltage: AC 125V
 - 7.Waterproof Rate:IP67 (Mated)
 - 8.Seal Nut: Nylon, Black
 - 9.Seal Ring:Silicon, Black.
 - 10.Clamp Ring:Nylon, Black
 - 11.O-Ring:Silicon, Red
 - 12.Female Pin: Copper Alloy, Gold Plated
 - 13.Connector:Nylon+GF, Black
 - 14.Lock Nut:Nylon, Orange
 - 15.Spring:SUS
 - 16.O-Ring:Silicon, Red
 - 14.RoHS Compliant.
 - 15.Mating Cap: 804-00008-00

24XXX231-XX Cable Range OD
 01 OD: φ3.5mm~φ6.8mm
 02 OD: φ6.8mm~φ10.5mm
 Pin Number

9 Pin	18 Pin	24 Pin
P/N: 24009231-02	P/N: 24018231-02	P/N: 24024231-02



Pin Assignments Front View

UNIT: mm	DESCRIPTION
TOLERANCE X .XX .XXX ANGLES	Large Series Push Lock Male Plug With Female Pin
±0.25 ±0.15 ±0.05 ±1°	SCALE: 1:1 SHEET 1 OF 1
REV: C1	SIZE: A4
	* : Inspection Item



PART NO	24XXX231-XX	DRAWN BY	Liu	DATE	2019/08/13
DWG NO		CHECKED BY	Mo	DATE	2019/08/13
CUSTOMER		APPROVED BY	Panson	DATE	2019/08/13