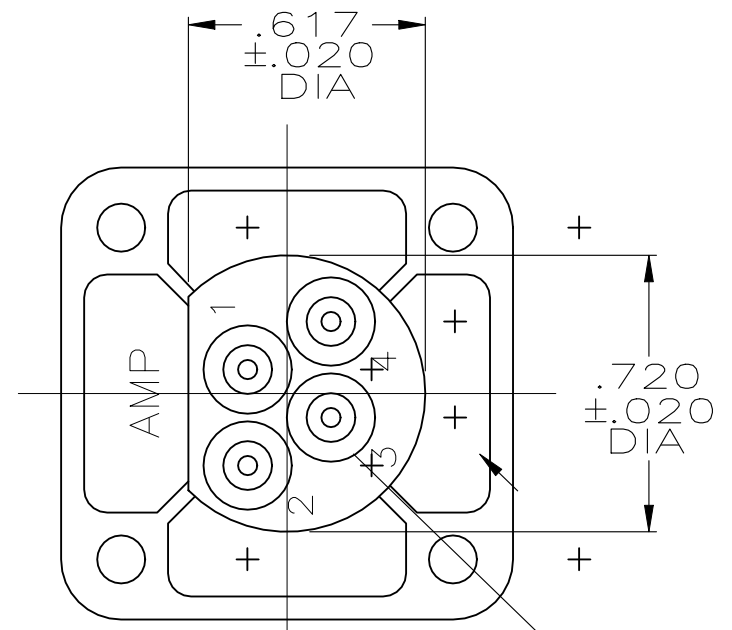
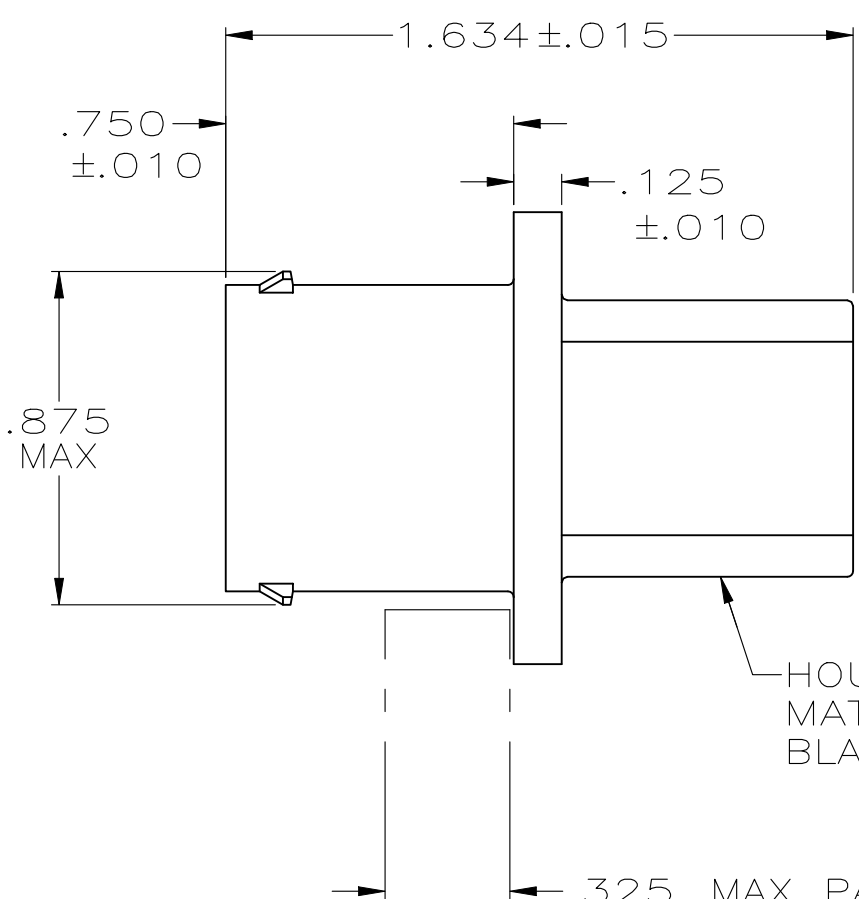
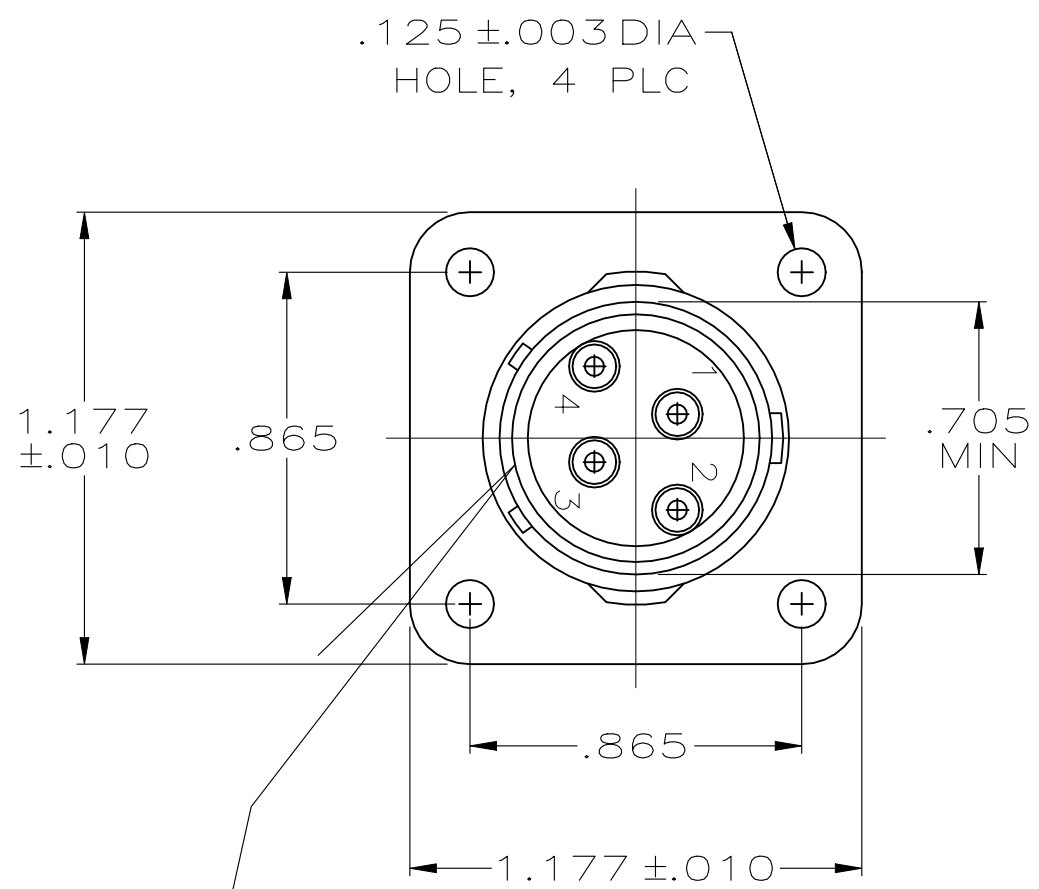


| REVISIONS | | | | | |
|-----------|-----|-----------------|-----------|-----|------|
| P | LTR | DESCRIPTION | DATE | DWN | APVD |
| | H | PCN E-20-018081 | 10MAR2021 | SCK | |

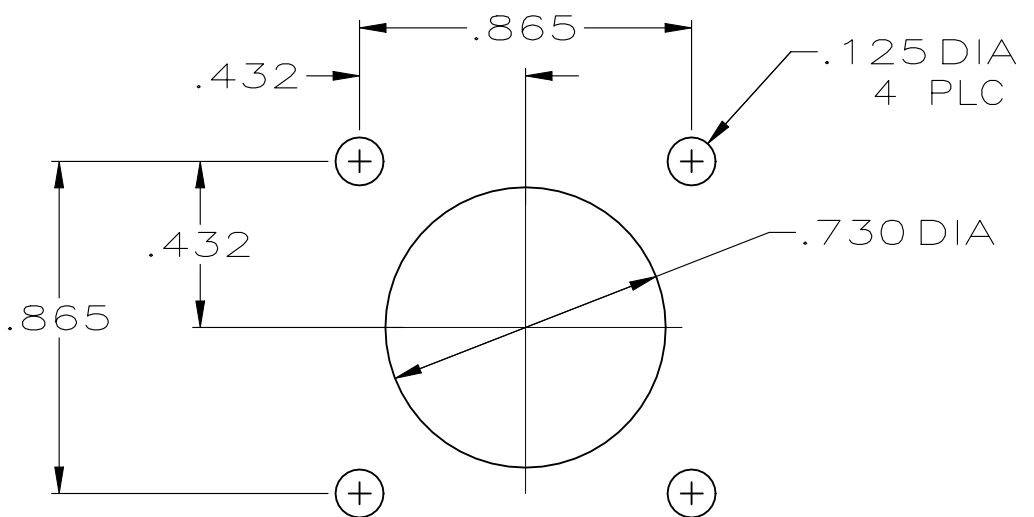


HOUSING MATERIAL: THERMOPLASTIC BLACK

DISCRETE WIRE SEALS (4) MATERIAL: ELASTOMER BLACK

PERIPHERAL SEAL MATERIAL: ELASTOMER BLACK

1. WIRE INSULATION SEALING RANGE .070-.130 DIA.
2. THIN MEMBRANE PERMISSIBLE ON SMALL DIAMETER OF WIRE SEALS.



RECOMMENDED PANEL CUTOUT

| |
|-------------|
| 207808-1 |
| PART NUMBER |

| | | | | | | |
|--|--|---------------------------|--|--------------|------------|---------------|
| THIS DRAWING IS A CONTROLLED DOCUMENT. | | DWN J GALLUCCI BG 8-21-90 | STE TE Connectivity | | | |
| DIMENSIONS: INCHES | | CHK - | | | | NAME |
| TOLERANCES UNLESS OTHERWISE SPECIFIED: | | APVD - | ECONOSEAL, SQUARE FLANGE RECEPTACLE, SHELL SIZE 12, 4 POSITION, PIN CONTACTS | | | |
| 0 PLC ± - | | PRODUCT SPEC - | | | | |
| 1 PLC ± - | | APPLICATION SPEC - | SIZE | CAGE CODE | DRAWING NO | RESTRICTED TO |
| 2 PLC ± - | | --- | --- | --- | --- | --- |
| 3 PLC ± .005 | | --- | --- | --- | --- | --- |
| 4 PLC ± - | | --- | --- | --- | --- | --- |
| ANGLES ± - | | --- | --- | --- | --- | --- |
| FINISH | | --- | --- | --- | --- | --- |
| MATERIAL SEE CALLOUT | | WEIGHT 0.000000 | A3 | 00779 | C-207808 | --- |
| CUSTOMER DRAWING | | | SCALE 2:1 | SHEET 1 OF 1 | REV H | --- |