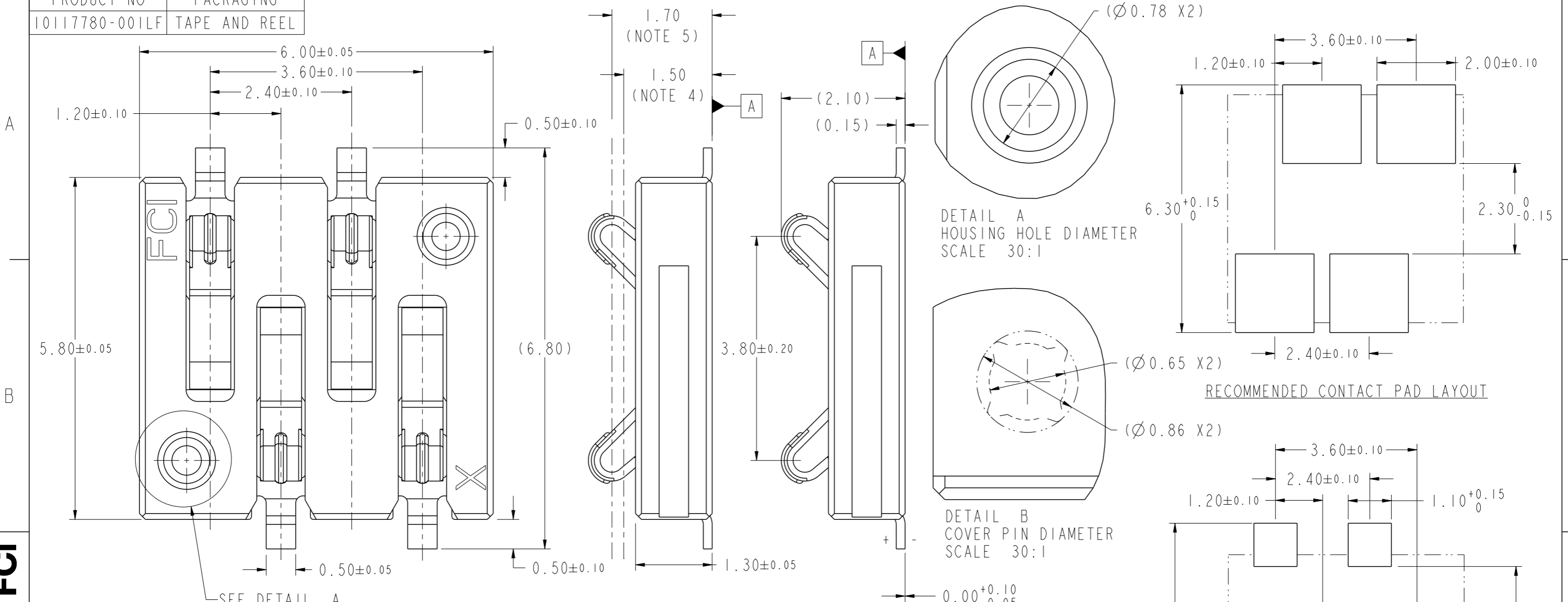
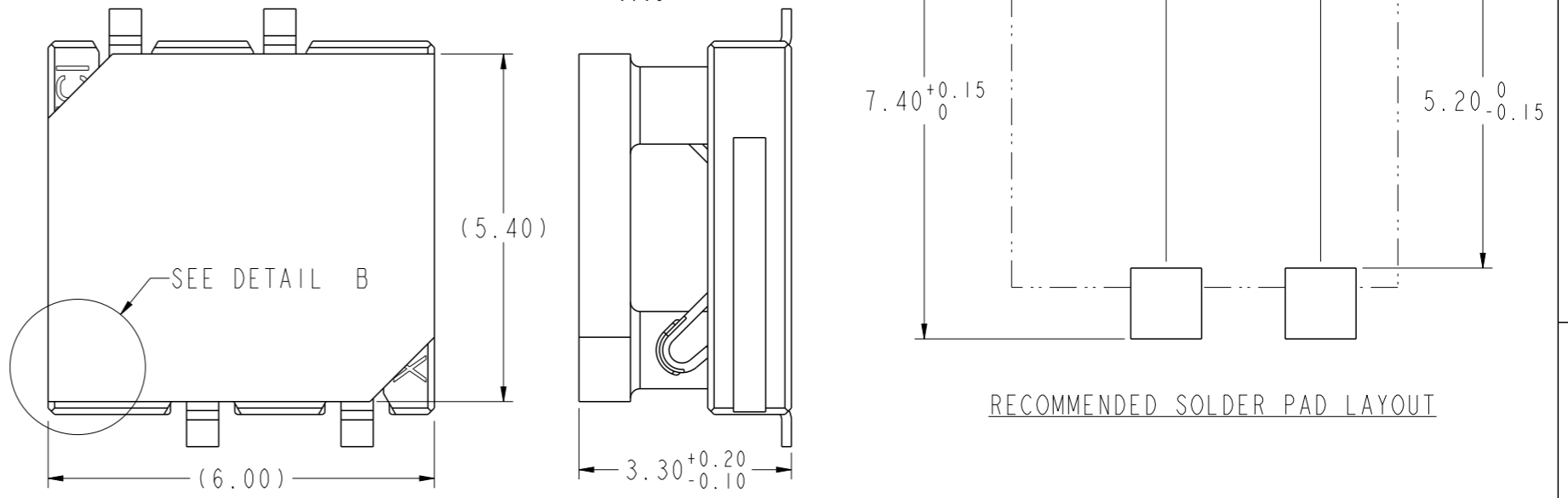


PRODUCT NO	PACKAGING
10117780-001LF	TAPE AND REEL



- NOTES:
- HOUSING: HIGH TEMPERATURE THERMOPLASTIC  
UL 94V-0, COLOUR: BLACK
  - CONTACTS: COPPER ALLOY.  
PLATING SPEC: 0.2um MIN Au AT CONTACT AREA,  
0.076um MIN Au AT SOLDER TAIL,  
OVER 1.27um MIN Ni UNDERPLATE OVERALL
  - COVER: HIGH TEMPERATURE THERMOPLASTIC  
UL 94V-0, COLOUR: BLACK
  - AT 1.5mm HEIGHT, CONTACT GAP MEASUREMENT SHALL BE 4.2.
  - AT 1.7mm HEIGHT, CONTACT NORMAL FORCE SHALL BE ABOVE 40gf.
  - SOLDER TAIL CONPLANARITY SHALL BE 0.1mm MAX.
  - COVER HOLDING FORCE, SHALL BE WITHIN 20gf AND 600gf.
  - THIS PRODUCT MEETS EUROPEAN UNION DIRECTIVES AND OTHER  
COUNTRY REGULATIONS AS DESCRIBED IN GS-47-0004.
  - THE HOUSING WILL WITHSTAND EXPOSURE TO 260°C PEAK  
TEMPERATURE FOR 10 SECONDS IN A CONVECTION,  
INFRA-RED OR VAPOUR PHASE REFLOW OVEN.



spec ref	-	dr	Dennis Goh	2011/06/29	projection	MM	size	A3	scale	15:1
tolerance std	ASME Y14.5	eng	Dennis Goh	2017/04/25			ecn no	ELX-S-26774-1	rel level	Released
	TOLERANCES UNLESS OTHERWISE SPECIFIED	chr	-	apppr						
surface	linear	0.X	±0.25	<b>Amphenol FCI</b>		4 PINS SPINDLE CONNECTOR		dwg no 10117780	rev B	
		0.XX	±0.13							
		0.XXX	±0.05							
ASME Y14.5	angular	0°	±°	cat. no.	Product - Customer Drw		sheet 1 of 1			

© 2016 AFCI  
 Amphenol FCI