

# HIGH-SPEED COST EFFECTIVE COAX CABLE

(0.80 mm) .0315" PITCH • FCF8/FCS8 SERIES



## FCF8

Mates:  
FCS8



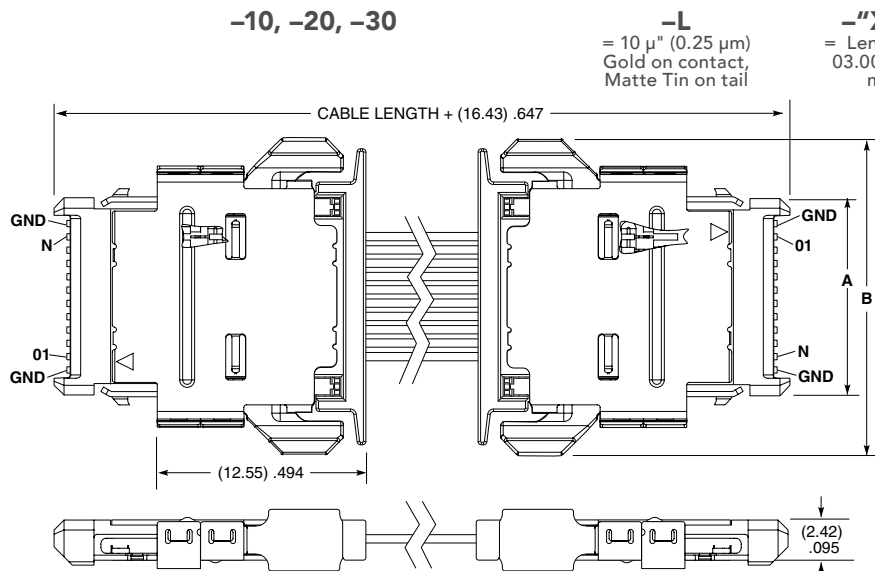
### SPECIFICATIONS

**Cable:**  
38 AWG coax  
**Overmold:**  
Nylon  
**Terminal Material:**  
Phosphor Bronze  
**Contact Plating:**  
Au or Sn over  
50 μ" (1.27 μm) Ni  
**Operating Temp Range:**  
-25 °C to +105 °C  
**Current Rating:**  
1.8 A per pin  
(1 pin powered)

**Notes:**  
Design your full cable assembly with Samtec's High-Speed Cable Builder at [www.samtec.com/cablebuilder](http://www.samtec.com/cablebuilder)

Cable lengths longer than 40.00" (1 meter) are not supported with S.I. test data.

Some lengths, styles and options are non-standard, non-returnable.



NO. OF POSITIONS	A	B
-10	(11.85) .467	(19.00) .748
-20	(19.85) .781	(27.00) 1.063
-30	(27.85) 1.096	(35.00) 1.378

### ALSO AVAILABLE

Other sizes and lengths (MOQ Required)

## FCS8

Mates:  
FCF8



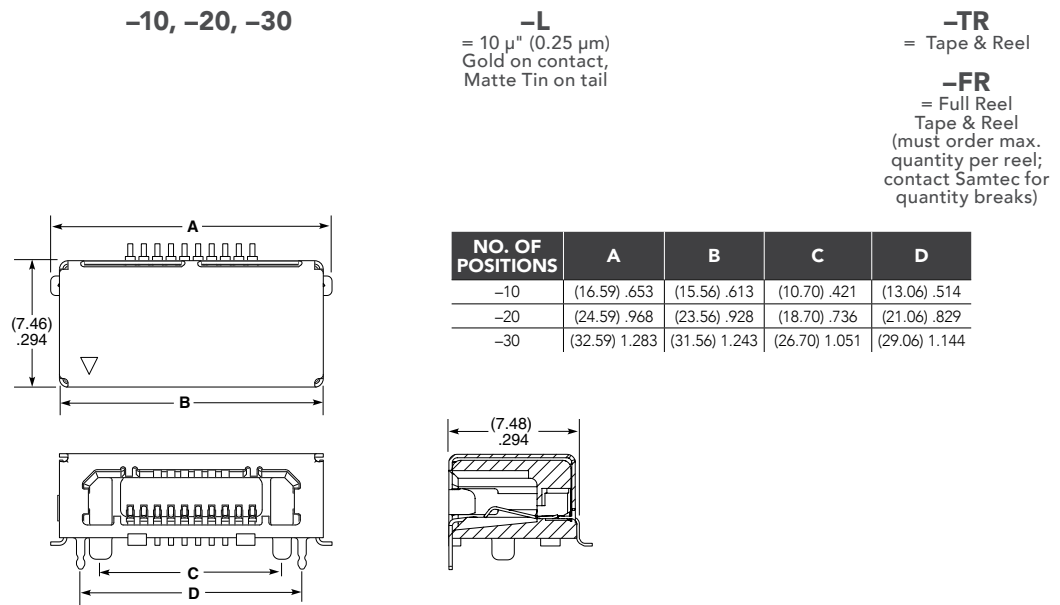
### SPECIFICATIONS

**Insulator Material:**  
Black LCP  
**Contact Material:**  
BeCu  
**Contact Plating:**  
Au or Sn over  
50 μ" (1.27 μm) Ni  
**Shield:**  
Nickel Plated Phosphor Bronze  
**Operating Temp Range:**  
-55 °C to +125 °C  
**Current Rating:**  
1.8 A per pin  
(1 pin powered)

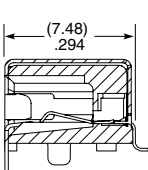
### PROCESSING

**Lead-Free Solderable:**  
Yes  
**SMT Lead Coplanarity:**  
(0.15 mm) .006" max\*  
\*(.004" stencil solution may be available; contact [IPG@samtec.com](mailto:IPG@samtec.com))

**Note:**  
Some sizes, styles and options are non-standard, non-returnable.



NO. OF POSITIONS	A	B	C	D
-10	(16.59) .653	(15.56) .613	(10.70) .421	(13.06) .514
-20	(24.59) .968	(23.56) .928	(18.70) .736	(21.06) .829
-30	(32.59) 1.283	(31.56) 1.243	(26.70) 1.051	(29.06) 1.144



**-L**  
= 10 μ" (0.25 μm)  
Gold on contact,  
Matte Tin on tail

**-TR**  
= Tape & Reel

**-FR**  
= Full Reel  
Tape & Reel  
(must order max.  
quantity per reel;  
contact Samtec for  
contact quantity breaks)