

MATERIALS:

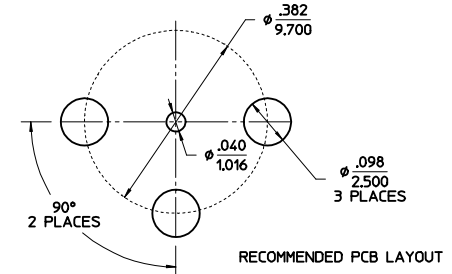
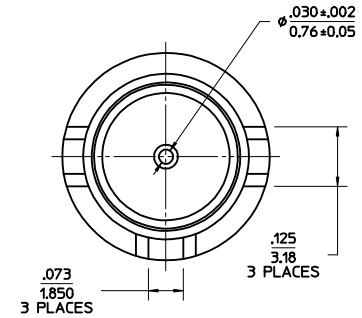
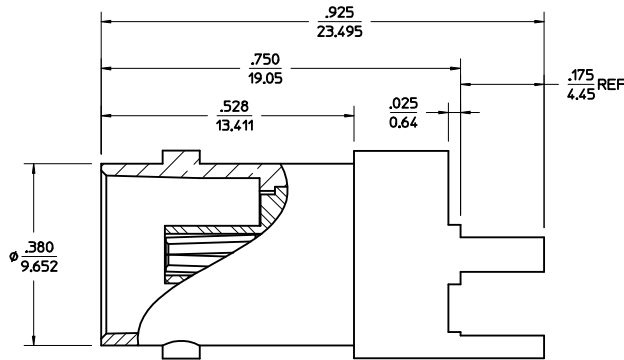
BODY: BRASS
PLATED: NICKEL

CENTER CONTACT: PHOSPHOR BRONZE
PLATED: GOLD

INSULATOR: TEFLON

ELECTRICAL SPECIFICATIONS

FREQUENCY: DC-2.5 GHz
INSERTION LOSS: .2db MAXIMUM AT 2.5 GHz



PART # 73171-1740

PS-73598-0062	ELECTRO/MECHANICAL
ES-73599-0000	INTERFACE
SPECIFICATION	DESCRIPTION

CHG: RELEASED
 DRAWING:
 EC NO: URF2008-0103
 DRAWN: ARBERTSON 2007/08/15
 CHKD: 2007/08/15
 APPR: JWIENER 2007/08/15

QUALITY SYMBOLS ▼=0 ▽=0	GENERAL TOLERANCES (UNLESS SPECIFIED)	
	mm	INCH
	4 PLACES ± ---	± ---
	3 PLACES ± ---	± ---
	2 PLACES ± ---	± ---
1 PLACE ± ---	± ---	
ANGULAR ±1/2°		
DRAFT WHERE APPLICABLE MUST REMAIN WITHIN DIMENSIONS		

DIMENSION STYLE IN/MM	
DRAWN BY SSS	DATE
CHECKED BY	DATE
APPROVED BY	DATE 2002/03/08
MATERIAL NO. 731711740	DOCUMENT NO. SD-73171-174
SIZE C	THIS DRAWING CONTAINS INFORMATION THAT IS PROPRIETARY TO MOLEX INCORPORATED AND SHOULD NOT BE USED WITHOUT WRITTEN PERMISSION

SCALE INCH	DESIGN UNITS INCH	THIRD ANGLE PROJECTION
BNC JACK STR PCB 75 OHMS BNC-JPCB		
MOLEX MOLEX INCORPORATED		
SHEET NO. 1 OF 1		