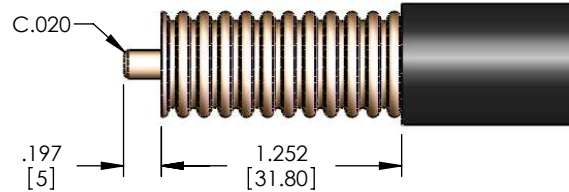
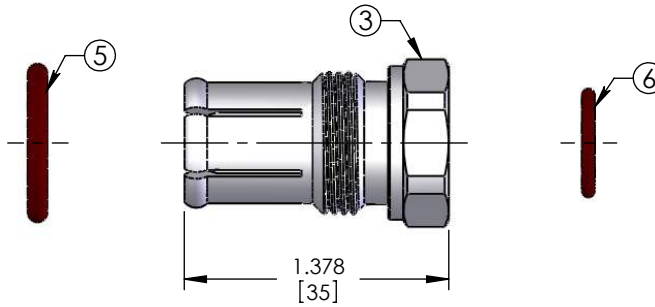
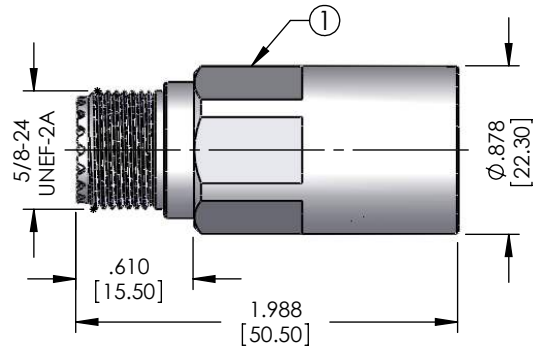
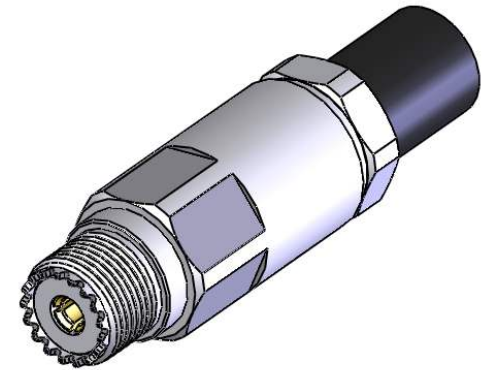


# RFU-520-H1

REV	DESCRIPTION	DATE	APPR
-	ENGINEERING RELEASE	11/20/08	JDM



RECOMMENDED STRIPPING DIMENSIONS



## SPECIFICATIONS:

IMPEDANCE: NON CONSTANT  
 FREQUENCY RANGE: 0-300 MHz  
 WORKING VOLTAGE: 500 V rms Max. @ Sea Level  
 FOR ANDREW LDF4-50A & LDF4RN-50A, CELWAVE 810918-001  
 CABLEWAVE FLC12-50J & EUPEN 5128 CABLE

NOTE: SILICONE LUBRICATOR INCLUDED (NOT SHOWN)

<b>ROHS</b> COMPLIANT	NAME	DATE	<b>RF INDUSTRIES</b> 7610 MIRAMAR RD. SAN DIEGO, CA. 92126 858-549-6340 FAX 858-549-6345		
	DRAWN	C. ZUNIGA 11/20/08			
	CHECKED				
UNLESS OTHERWISE SPECIFIED: DIMENSIONS ARE IN INCHES ALL DIMENSIOS ARE FOR REFERENCE ONLY	ENG APPR.		TITLE: <b>UHF JACK, CLAMP</b>		
CABLE GROUP H1	PROPRIETARY AND CONFIDENTIAL  THE INFORMATION CONTAINED IN THIS DRAWING IS THE SOLE PROPERTY OF RF INDUSTRIES. ANY REPRODUCTION IN PART OR AS A WHOLE WITHOUT THE WRITTEN PERMISSION OF RF INDUSTRIES IS STRICTLY PROHIBITED.		SIZE <b>A</b>	DWG. NO. <b>RFU-520-H1</b>	REV <b>-</b>
CODE 008974			SCALE: NTS	NOTES:	SHEET 1 OF 1

#	DESCRIPTION	PART NUMBER	MATERIAL	FINISH	QTY.
7	LUBE	NONE	SILICONE	NONE	1
6	O-RING	023-10X-002-LR	SILICONE RUBBER	NONE	1
5	O-RING	023-10X-001-LR	SILICONE RUBBER	NONE	1
4	INSULATOR	010-06X-001-TX	PTFE	NONE	1
3	SPRING CLAMP	003-06X-001-BT	Brass	WHITE BRONZE	1
2	CONTACT	008-06F-006-PT	PHOSPHOR BRONZE	SILVER	1
1	BODY	001-06F-001-BT	Brass	WHITE BRONZE	1