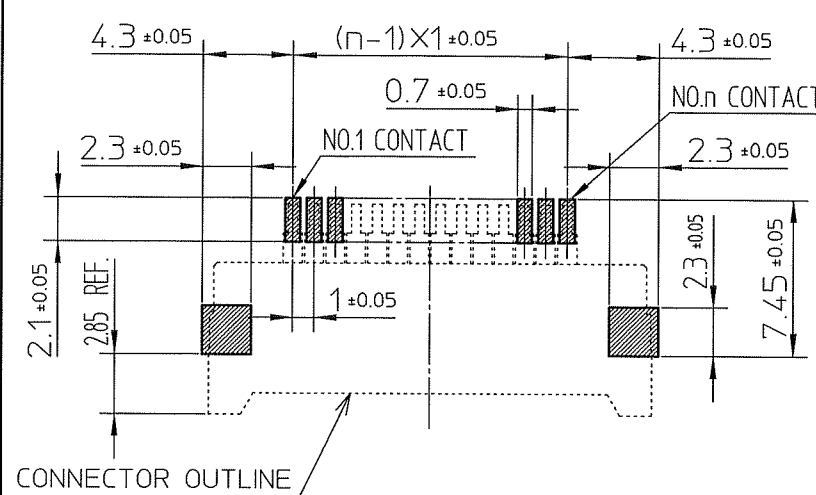


PT. NO.	PARTS NAME	MATERIAL	Q'TY	NOTE
1	HOUSING	GLASS FILLED THERMOPLASTIC RATED.(UL94V-0)	1	COLOR:BRACK
2	CONTACT	BRASS	n	PLATING CONTACT AREA:GOLD OVER NICKL TERMINAL AREA:TIN (LEAD FREE)
3	MOUNTING PLATE	BRASS	2	PLATING:TIN (LEAD FREE)

RECOMMENDED PC BOARD LAYOUT  
(COMPONENT SIDE)

n:NO. OF CONTACTS  
(10 TO 30 , ONLY EVEN POS.)



NOTE  
1.Flatness for contact terminal and mounting plate must be within 0.1.  
2.This product meets European Union Directives and other country regulations as described in GS-22-008.

mat'l. code		surface ISO 1302 ✓		tolerance ISO 406 ISO 1101		projection		product family 590F		
ltr	ecn no	dr	date	tolerances unless otherwise specified		title FLOATING BOARD TO BOARD RECEPTACLE CONNECTOR (GOLD PLATING AND LEAD FREE) (CAT.No.BTFW_R-3RSTALF)				
A	J07-0021	M.K	Jan.25,07	angles	linear	scale				
				dr	K.Higuchi	Jan.25,07	dwg no		sheet 1 of 1	
				engr	M.Koga	Jan.25,07	JSA 97223		size A4	
				chr	K.Higuchi	Jan.25,07	type		Product Customer Drawing	
				appd	M.Koga	Jan.25,07				
sheet index	revision sheet								Rev	A



FCIconnect.com

Copyright FCI

