

TUSB8040EVM User's Guide

User's Guide



Literature Number: SLLU130A
December 2010–Revised March 2011

| | | |
|----------|--|-----------|
| 1 | Introduction | 5 |
| 2 | Hardware Overview | 6 |
| 1 | TUSB8040 | 6 |
| 2 | USB Port Connectors | 6 |
| 2.1 | USB Port Connector - Power | 6 |
| 2.2 | USB Port Connector – Noise Filtering | 7 |
| 3 | Hub Configuration | 7 |
| 4 | Optional Serial EEPROM | 7 |
| 5 | Power/Reset | 7 |
| 6 | Optional Circuitry | 8 |
| 3 | Hardware Set Up | 9 |
| 1 | Configuration Jumpers | 9 |
| 2 | EVM Installation | 10 |
| 3 | Troubleshooting | 10 |
| | Appendix A TUSB8040 REV B EVM Bill of Materials | 11 |
| | Appendix B TUSB8040 REV B EVM Schematics | 14 |

List of Figures

| | | |
|---|--|---|
| 1 | TUSB8040 REV B EVM Top Layer Layout..... | 5 |
|---|--|---|

List of Tables

| | | |
|---|-------------------------|----|
| 1 | Bill of Materials | 12 |
|---|-------------------------|----|

Introduction

The TI TUSB8040 REV B EVM is a functional board design of a single device that implements both a USB 3.0 hub and a USB 2.0 hub. The EVM can support both SuperSpeed (SS) and USB 2.0 (HS, FS, LS) operation on its USB ports. This EVM is intended for use in evaluating system compatibility, developing optional EEPROM firmware, and validating interoperability. This EVM also acts as a hardware reference design for any implementation of the TUSB8040.

Upon request, layout files for the EVM can be provided to illustrate techniques used to route the differential pairs, use of split power planes, placement of filters and other critical components, and methods used to achieve length matching of critical signals.

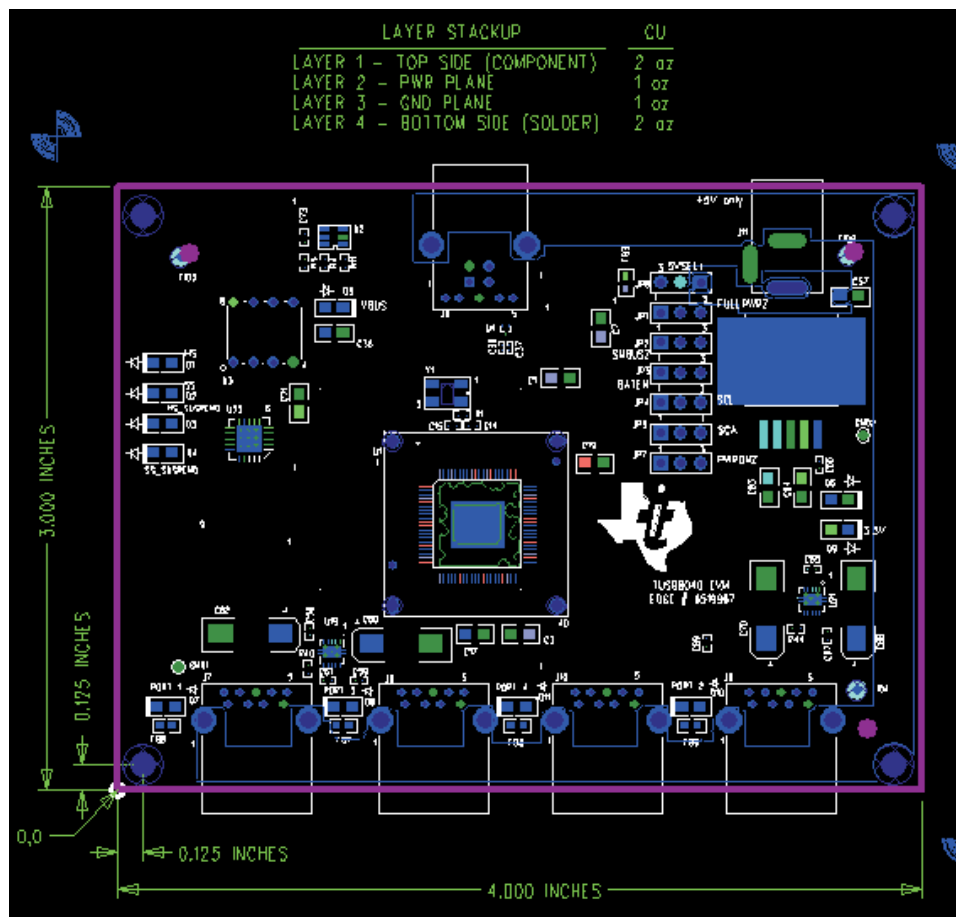


Figure 1. TUSB8040 REV B EVM Top Layer Layout

NOTE: Please note the EVM dimensions of 3 in x 4 in accommodates various lab test components, actual production implementations can be much smaller. Also, the TUSB8040 REV B EVM is laid out to accept either a TUSB8040 unit or a socket, this socket functionality would not need to be duplicated on a production implementation.

Hardware Overview

The TUSB8040 REV B EVM board hardware can be divided into five functional areas:

1 TUSB8040

The TUSB8040 on the TUSB8040 REV B EVM (U1 on the schematic) operates as a functional interconnect between an upstream connection to a USB host or hub and up to four directly connected downstream devices or hubs. More devices and hubs can be supported if arranged in tiers. The TUSB8040 is capable of supporting operation at USB SuperSpeed (SS), High-Speed (HS), Full Speed (FS) or Low Speed (LS). In general, the speed of the upstream connection of the TUSB8040 REV B EVM limits the downstream connections to that speed (SS, HS, FS) or lower.

The TUSB8040 requires a 24-MHz low ESR crystal, Y1 with a 1-M Ω feedback resistor. The crystal should be fundamental mode with a load capacitance of 12 pF – 24 pF and a frequency stability rating of ± 100 PPM or better. To ensure a proper startup oscillation condition, a maximum crystal equivalent series resistance (ESR) of 50 Ω is recommended.

The TUSB8040 can also use an oscillator or other clock source. When using an external clock source such as an oscillator, the reference clock should have ± 100 PPM (or better) frequency stability and have less than 50-ps absolute peak to peak jitter (or less) than 25-ps peak to peak jitter after applying the USB 3.0 jitter transfer function.

2 USB Port Connectors

The TUSB8040 REV B EVM is equipped with 5 standard nine-pin USB 3.0 port connectors. One of these five connectors, J6, is a Type B connector designed to interface with an upstream USB host or hub. The remaining connectors, J7-J10, are Type A connectors for connection to downstream devices or hubs. Standard size connectors were used on the EVM design, but USB micro connectors can be used if desired. It is also possible to implement a legacy USB connector on one or more of the downstream ports if SuperSpeed operation is not desired.

The USB ports can be attached via a standard USB cable to any USB 3.0 or legacy USB host, hub or device. The TUSB8040 will automatically connect to any upstream USB 3.0 host or hub at both SuperSpeed and High-speed. Using a legacy USB cable between the TUSB8040 REV B EVM and a USB 3.0 host or hub will force it to High-speed operation. The same is true if a legacy USB cable is used between the TUSB8040 REV B EVM and a downstream SuperSpeed capable device in that operation will be limited to USB High-speed.

2.1 USB Port Connector - Power

VBUS is received from the upstream host or hub on J6. The TUSB8040 is configured as a self-powered hub, so there should not be any significant current draw by the EVM. The TUSB8040 does monitor the VBUS input after filtering through a resistor divider network of a 90.9-k Ω 1% resistor, R2, and a 10-k Ω 1% resistor, R3. VBUS cannot be directly connected to the TUSB8040 device.

NOTE: The VBUS LED implemented on the EVM will cause a USB 2.0 compliance issue because it draws greater than 2-mA of current while the USB connection is suspended. It is included for lab evaluation purposes only.

A bulk capacitor of at least 1 μ F is required on the upstream port VBUS input to comply with the USB specification. The TUSB8040 REV B EVM uses a 10- μ F capacitor, C36.

VBUS, sourced by the 5-V wall power input, J11, is provided to the downstream port connectors so that bus powered devices may be attached. The USB 3.0 specification limits the current consumption of a USB 3.0 device to 900 mA at 5 V. The current limiting parameter of the TPS2560 devices, U19 and U21, is configured to 1.5 A to avoid any spurious over-current events due to bus-powered HDD spin-up power fluctuations (see [SLVS930](#)). A production implementation could place stricter limits on this power consumption. An over-current event on any of the downstream port connectors will be reported to the TUSB8040 via the OVERCUR0Z input.

2.2 USB Port Connector – Noise Filtering

Each downstream VBUS output has a 150- μ F bulk capacitor (C60, C62, C68, C70) as recommended by the TPS2560 data manual to prevent in-rush current events on the downstream devices. This is more bulk capacitance than a typical USB application and in most applications 47- μ F capacitors could be used. In addition, there are ferrite beads and small capacitors on the VBUS lines to reduce noise and address ESD/EMI concerns.

The TUSB8040 REV B EVM also implements optional isolation using two small noise filtering capacitors and a 1-M Ω resistor between the earth ground of each connector and the digital ground of the EVM. Please note that the capacitors implemented on the SS TX pairs are incorporated to satisfy the USB 3.0 requirement that differential links be AC coupled on the transmit pair and are not optional.

3 Hub Configuration

The TUSB8040 REV B EVM can be configured by setting several inputs to the TUSB8040 that are sampled at power-on reset or using an optional serial EEPROM. See [Section 1](#) for a full description of these inputs and how to configure them. A production implementation would either rely on the default internal pull-up or pull-down resistor for each configuration input or over-ride it with an external pull-up or pull-down resistor. The three place jumpers used on the TUSB8040 REV B EVM: JP1-JP5 are for lab evaluation only.

4 Optional Serial EEPROM

Each TUSB8040 REV B EVM is equipped with an onboard EEPROM socket footprint. A small I²C EEPROM can be installed with register values as defined in the TUSB8040 data manual ([SLLSE42](#)). In its default setting, the EVM does not have an EEPROM installed and instead uses the configuration inputs to determine the setting of the TUSB8040.

The EEPROM interface defaults to programmable (not write-protected) so that the EEPROM contents may be modified to test optional EVM settings. If an EEPROM data change is required, the values may be changed using the register access methods outlined in the TUSB8040 Datasheet. In addition, a Microsoft Windows® based EEPROM utility is available upon request.

5 Power/Reset

The TUSB8040 REV B EVM defaults to operating from the power provided by a 5-V wall power adapter. It is recommended to use a wall power source that is capable of sourcing 4 A – 5 A because the hub is required to supply significant power on its downstream ports, 900 mA per port.

The TUSB8040 REV B EVM uses a single channel LDO voltage regulator to drop 5 V to 3.3 V. The TPS78633, U20, is a 1.5-A output linear regulator (see [SLVS389](#)). The 1.1-V core voltage required by the TUSB8040 is sourced by the 3.3-V rail to reduce unnecessary heat dissipation. The TPS74801, U22, is a 1.5-A output single channel LDO linear regulator (see [SBVS074](#)). Both regulators require few external passive components and are appropriately rated for heat dissipation.

While there are two power on reset sources on the TUSB8040 REV B EVM, only one is required. Implemented on the EVM is a supervisory circuit, TPS3808G33, U2 (see [SBVS050](#)). This device has two reset sources: the BOARD_3P3V power rail and the 1.1-V regulator power good output.

The simplest reset source would be an RC reset source such as the one created by the internal pull-up resistor of GRSTz and a 2.2- μ F capacitor, in lieu of the 1- μ F capacitor, C17. The TUSB8040 requires a power on reset of 3 ms, the value of the capacitor may vary based on the voltage ramp characteristics of the implementation.

6 Optional Circuitry

The TUSB8040 REV B EVM design implements a variety of LEDs, none of which are required by the USB specification. They are provided to make testing and debugging easier.

- D1 – Indicates that the upstream USB port is connected at High-speed.
- D2 – Indicates that the upstream USB port is connected at SuperSpeed.
- D3 – Indicates that the upstream USB port has entered a High-speed suspend state.
- D4 - Indicates that the upstream USB port has entered a SuperSpeed suspend state.
- D5 – Indicates when VBUS is provided to the upstream USB port.
- D6 – Indicates that 5V is being applied to the TUSB8040 REV B EVM.
- D7, D8, D10, D11 – Indicate when VBUS is applied to the downstream USB ports. The TUSB8040 REV B EVM enables or disables power to all downstream USB ports simultaneously.
- D9 – Indicates BOARD_3P3V is active.

The TUSB8040 REV B EVM incorporates ESD protection circuitry for the differential pairs of all five ports. The TPD2EUSB30 devices are not required or populated on the EVMs, but are recommended for any system where ESD events are a concern, especially if the end equipment requirements exceed the device specifications (i.e. HBM 2000 kV, CDM 500 V) (see [SLVSAC2](#)).

The TUSB8040 has a JTAG test interface which is used only for factory test. All JTAG pins can be left floating with the exception of TRSTZ, which should be pulled down using a 1-k Ω resistor.

Hardware Set Up

1 Configuration Jumpers

The TI TUSB8040 REV B EVM has several jumpers that facilitate configuration changes. Changing these jumpers without a complete understanding of the result is not recommended. In no instance should a jumper be removed or changed while the EVM is powered. Please refer to the EVM schematic included in [Appendix B](#). The jumper definitions are as follows, with the standard setting in parenthesis:

JP1(2,3) Full Power Management Jumper—Standard setting: full power management is enabled when the jumper is placed on pins 2 and 3 at power-on reset. Pin 2 also acts as the interface for the SMBA1 signal when a SMBus host is connected to the TUSB8040. The TUSB8040 has an internal pull up on this terminal, so the TUSB8040 actually defaults to a non full power management state which is the lowest cost implementation with no active downstream port switching. Removing the jumper enables the default mode.

JP2(np) SMBUSz Jumper—Standard setting: not populated, I²C interface mode is enabled via the internal pull-up resistor at power-on reset. If the jumper is placed on pins 2 and 3 at power-on reset, SMBUS mode is enabled.

JP3(np) Battery Charging Jumper—Standard setting: not populated, battery charging is disabled via the internal pull-down resistor. If the jumper is placed on pins 1 and 2, battery charging on the downstream ports is enabled. This signal also acts at the active low power enable/disable for the downstream port power switches.

JP4(np) Serial Clock Jumper—Standard setting: not populated, the internal pull-down resistor indicates that no EEPROM is attached. A pull up resistor is connected to the serial clock terminal to indicate that an I²C EEPROM is attached. Pin 2 also acts as the interface for the SMBCLK signal when a SMBus host is connected to the TUSB8040.

JP5(np) Serial Data Jumper—Standard setting: not populated, the internal pull-down resistor indicates that no EEPROM is attached. A pull up resistor is connected to the serial clock terminal to indicate that an I²C EEPROM is attached. Pin 2 also acts as the interface for the SMBDAT signal when a SMBus host is connected to the TUSB8040. The SDA_SMBDAT terminal of production TUSB8040 will be sampled at the deassertion of reset to determine if the USB 3.0 SuperSpeed low power states U1 and U2 are disabled. If SDA_SMBDAT is high, U1 and U2 low power states are disabled. If SDA_SMBDAT is low, U1 and U2 low power states are enabled. If the optional EEPROM or SMBUS is implemented, the value of the u1u2Disable bit of the Device Configuration Register determines if the low power state U1 and U2 are enabled.

JP7(1,2) Power On Jumper—Standard setting: downstream power management is controlled by the PWRON0z_BATEN output of the TUSB8040. If the jumper is placed on pins 2 and 3, downstream port power is always enabled. The always enabled mode should be used when the Full Power Management setting is disabled by the removal of JP1 from pins 2 and 3.

JP8(1,2) 5-V Source Jumper—Standard setting: board 5 V is sourced from the provided 5-V, 4-A DC wall power input. The ability to source board 5 V from upstream VBUS by placing the jumper on pins 2 and 3 is a lab test option only, the TUSB8040 does not support bus power operation.

2 EVM Installation

To install the EVM, perform the following steps:

1. Attach 5-V wall power source to J11. LEDs D6 and D9 should be lit.
2. Attach a USB cable between J6 and a USB host. LEDs D5, D7, D8, D10 and D11 should be lit.
 - (a) If the TUSB8040 REV B EVM is attached to a USB 3.0 host, D1 and D2 should be lit.
 - (b) If the TUSB8040 REV B EVM is attached to a USB 2.0 host, D1 should be lit.

3 Troubleshooting

Case 1: Device function(s) are “banged out” in Device Manager.

- Make sure that the latest updates are installed for the operating system.
- Make sure that the latest drivers are installed for the host controller.

Case 2: The EVM does not work at all.

- Verify that all jumpers are in their default state and the EVM is powered on with a 5-V source with adequate current.
- If available, use a volt meter to verify that 3.3-V power appears at C63, C64 or C71. Also, verify that 1.1-V appears at C19.
- If installed, remove the serial EEPROM from the EEPROM socket. The EVM does not require an EEPROM to operate.

Appendix A TUSB8040 REV B EVM Bill of Materials

This appendix contains the TUSB8040 REV B EVM BOM (see [Table 1](#)).

Table 1. Bill of Materials

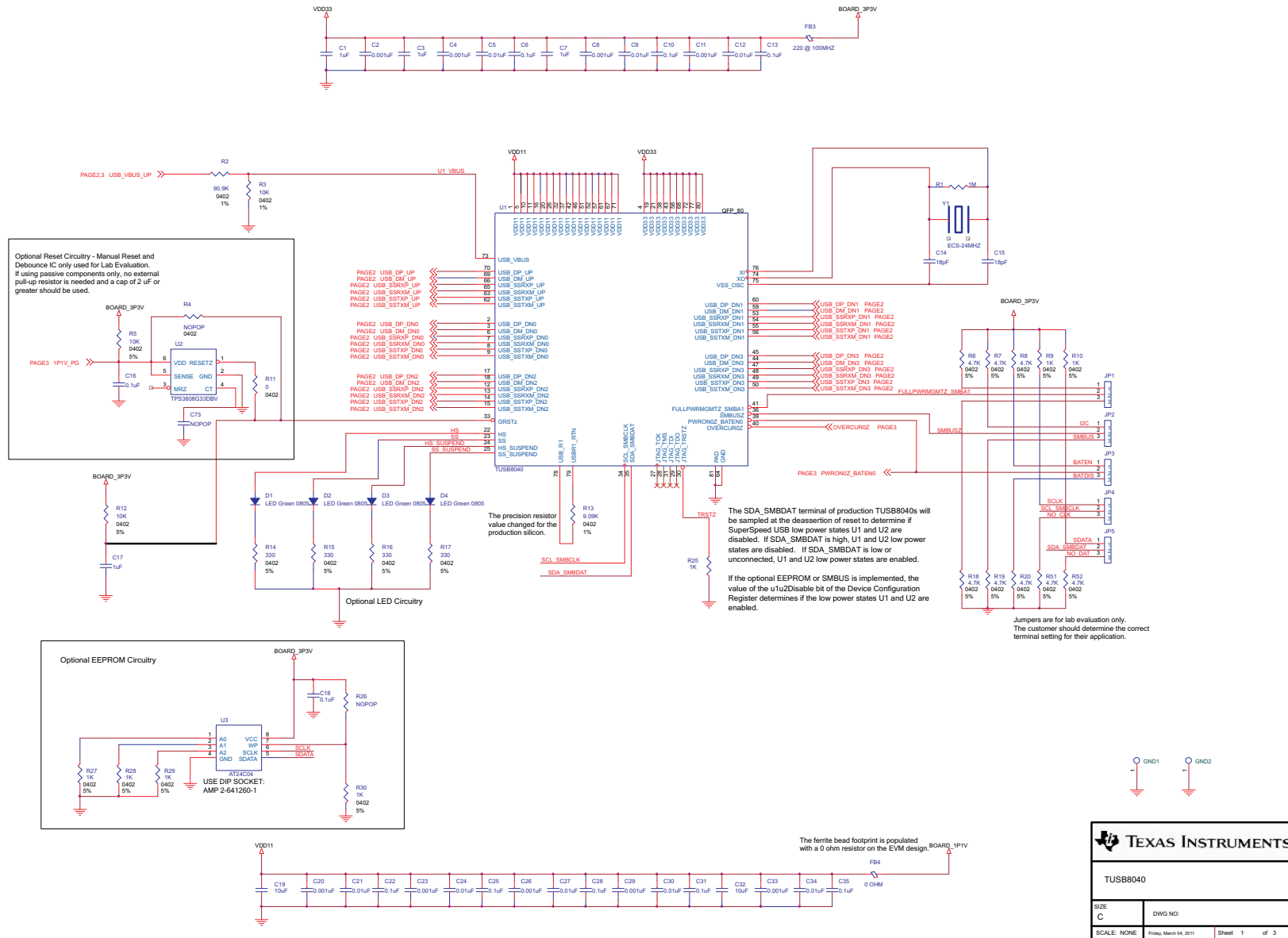
| Item | Quantity | Reference | Part | MFR | Part Number | Pkg |
|------|----------|--|--|--------------------|--------------------------------|-------------------|
| 1 | 4 | C1,C3,C7,C17 | 1 μ F | TDK | C2012X7R1A105K | 805 |
| 2 | 14 | C2,C4,C8,C11,C20,C23,C26,C29,C33,C40,C46,C48,C54, C56 | 0.001 μ F | TDK | C1005X7R1H102K | 402 |
| 3 | 9 | C5,C9,C12,C21,C24,C27,C30,C34,C66 | 0.01 μ F | AVX | 0402YC103KAT2A | 402 |
| 4 | 25 | C6,C10,C13,C16,C18,C22,C25,C28,C31,C35,C39,C45,C47,C53,C55,C58,C59,C61,C65,C67,C69,C74,C75,C76,C77 | 0.1 μ F | Yageo | CC0402KRX5R6BB104 | 402 |
| 5 | 10 | C37,C38,C41,C42,C43,C44,C49,C50,C51,C52 | 0.1 μ F | TDK | C0603X5R0J104M | 201 |
| 6 | 2 | C14,C15 | 18 pF | AVX | 04025A180JAT2A | 402 |
| 7 | 8 | C19,C32,C36,C57,C63,C64,C71,C72 | 10 μ F | Kemet | T491A106M006AT (Tantalum) | 1206 |
| 8 | 4 | C60,C62,C68,C70 | 150 μ F | Kemet | B45197A2157K409 (Tantalum) | 7343 |
| 9 | 4 | R4,R26,R47,C73 | NOPOP | | | 402 |
| 10 | 11 | D1,D2,D3,D4,D5,D6,D7,D8,D9,D10,D11 | LED Green 0805 | Lite On | LTST-C171GKT | 805 |
| 11 | 5 | FB3,FB6,FB7,FB8,FB9 | 220 at 100-MHz Ferrite Bead | Murata | BLM18PG221SN1D | 603 |
| 12 | 7 | JP1,JP2,JP3,JP4,JP5,JP7,JP8 | Head 1x3 (HDR3X1 M .1) | 3M | 961103-6404-AR | HDR3X1 M 0.1" TH |
| 13 | 1 | J6 | USB3_TYPEB_CONNECTOR | FoxConn | UEB1112C-2AK1-4H | 9_RA_TH_B |
| 14 | 4 | J7,J8,J9,J10 | USB3_TYPEA_CONNECTOR | FoxConn | UEA1112C-4HK1-4H | 9_RA_TH_A |
| 15 | 1 | J11 | 2.1-mm x 5.5-mm DC Power Jack | CUI Inc. | PJ-202AH (PJ-002AH) | 2.1-mm x 5.5-mm |
| 16 | 6 | R1,R31,R33,R34,R35,R36 | 1M | Rohm Semiconductor | MCR01MZPJ105 | 402 |
| 17 | 1 | R2 | 90.9K 1% | Rohm Semiconductor | MCR01MZPF9092 | 402 |
| 18 | 3 | R5,R12,R38 | 10K | Rohm Semiconductor | MCR01MZPJ103 | 402 |
| 19 | 1 | R3 | 10K 1% | Rohm Semiconductor | MCR01MZPF1002 | 402 |
| 20 | 9 | R6,R7,R8,R18,R19,R20,R39,R51,R52 | 4.7K | Rohm Semiconductor | MCR01MZPJ472 | 402 |
| 21 | 7 | R9,R10,R25,R27,R28,R29,R30 | 1K | Rohm Semiconductor | MCR01MZPJ102 | 402 |
| 22 | 1 | R11 | 0 | Rohm Semiconductor | MCR01MZPJ000 | 402 |
| 23 | 11 | R14,R15,R16,R17,R32,R37,R41,R42,R43,R45,R46 | 330 | Rohm Semiconductor | MCR01MZPJ331 | 402 |
| 24 | 2 | R40,R44 | 37.4K | Vishay / Dale | CRCW040237K4FKED | 402 |
| 25 | 1 | R48 | 1.87K | Vishay / Dale | CRCW04021K87FKED | 402 |
| 26 | 1 | R49 | 4.99K | Vishay / Dale | CRCW04024K99FKED | 402 |
| 27 | 1 | U1 | TUSB8040 - USB 3.0 Hub | Texas Instruments | TUSB8040 | 80QFP |
| 28 | 1 | U2 | TPS3808G33DBV - Voltage Supervisor | Texas Instruments | TPS3808G33DBV | 6DBV |
| 29 | 1 | U3 | AT24C04 / SOCKET - I ² C EEPROM | Atmel / Tyco | AT24C04A-10PU-1.8 / 2-641260-1 | 8DIP/8SOIC SOCKET |
| 30 | 15 | U4,U5,U6,U7,U8,U9,U10,U11,U12,U13,U14,U15,U16, U17,U18 | TPD2EUSB30 - USB ESD Protection | Texas Instruments | TPD2EUSB30 | 3DRT |
| 31 | 2 | U19,U21 | TPS2560DRC - USB Power Switch | Texas Instruments | TPS2560DRC | 10SON |
| 32 | 1 | U20 | TPS78633KTT - 3.3-V Voltage Regulator | Texas Instruments | TPS78633KTT | DDPAK-5 |

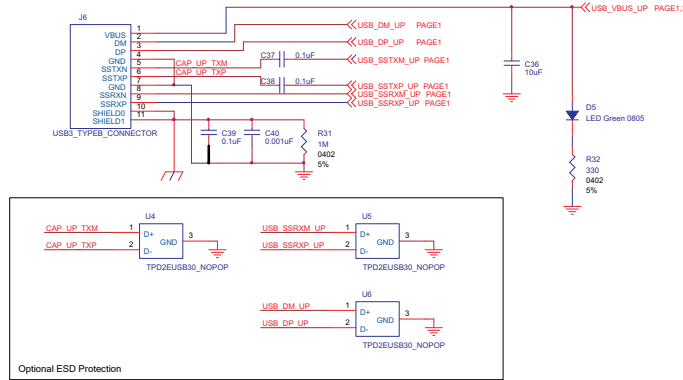
Table 1. Bill of Materials (continued)

| Item | Quantity | Reference | Part | MFR | Part Number | Pkg |
|------|----------|---------------------------------|---------------------------------------|--------------------|--------------------------------|---------------|
| 33 | 1 | U22 | TPS74801RGW - 1.1-V Voltage Regulator | Texas Instruments | TPS74801RGW | 20VQFN |
| 34 | 1 | Y1 | ECS-24-MHz Crystal | ECS | ECX-53B (ECS-240-20-30B-TR) | 5-mm x 3.2-mm |
| 35 | 8 | R50,R53,R54,R55,R56,R57,R58,R59 | PLACEHOLDER | | | 201 |
| 36 | 1 | R13 | 9.09K1% | Vishay / Dale | CRCW04029K09FKED | 402 |
| 37 | 1 | FB4 | 0 Ω | Rohm Semiconductor | MCR03EZPJ000 | 603 |

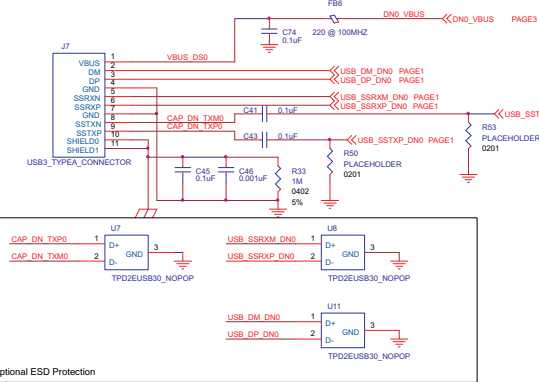
Appendix B TUSB8040 REV B EVM Schematics

This appendix contains the TUSB8040 REV B EVM schematics.

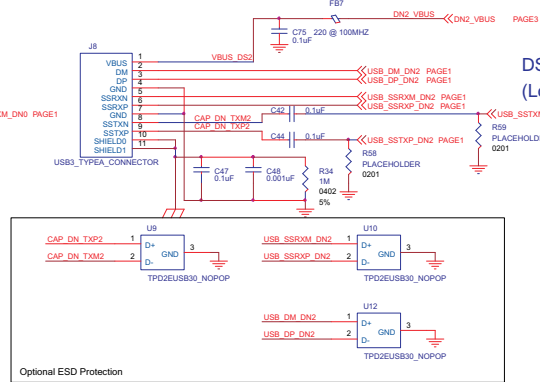




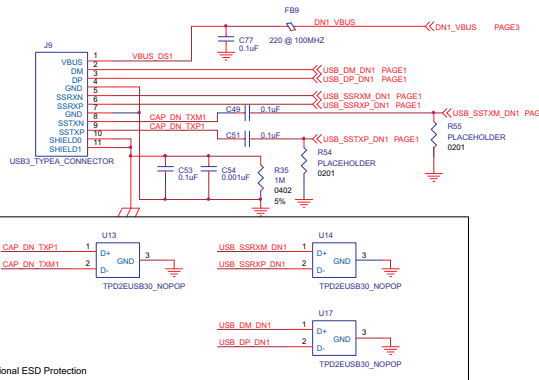
DS PORT 1
(Logical DS Port 0)



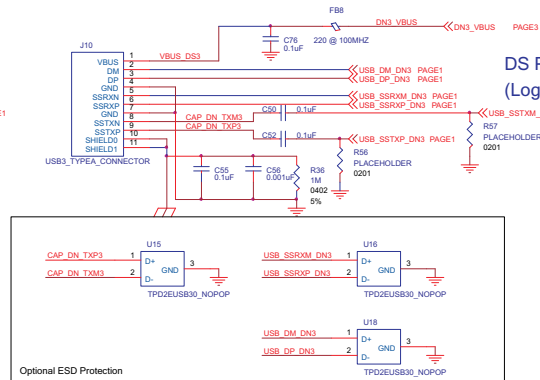
DS PORT 3
(Logical DS Port 2)



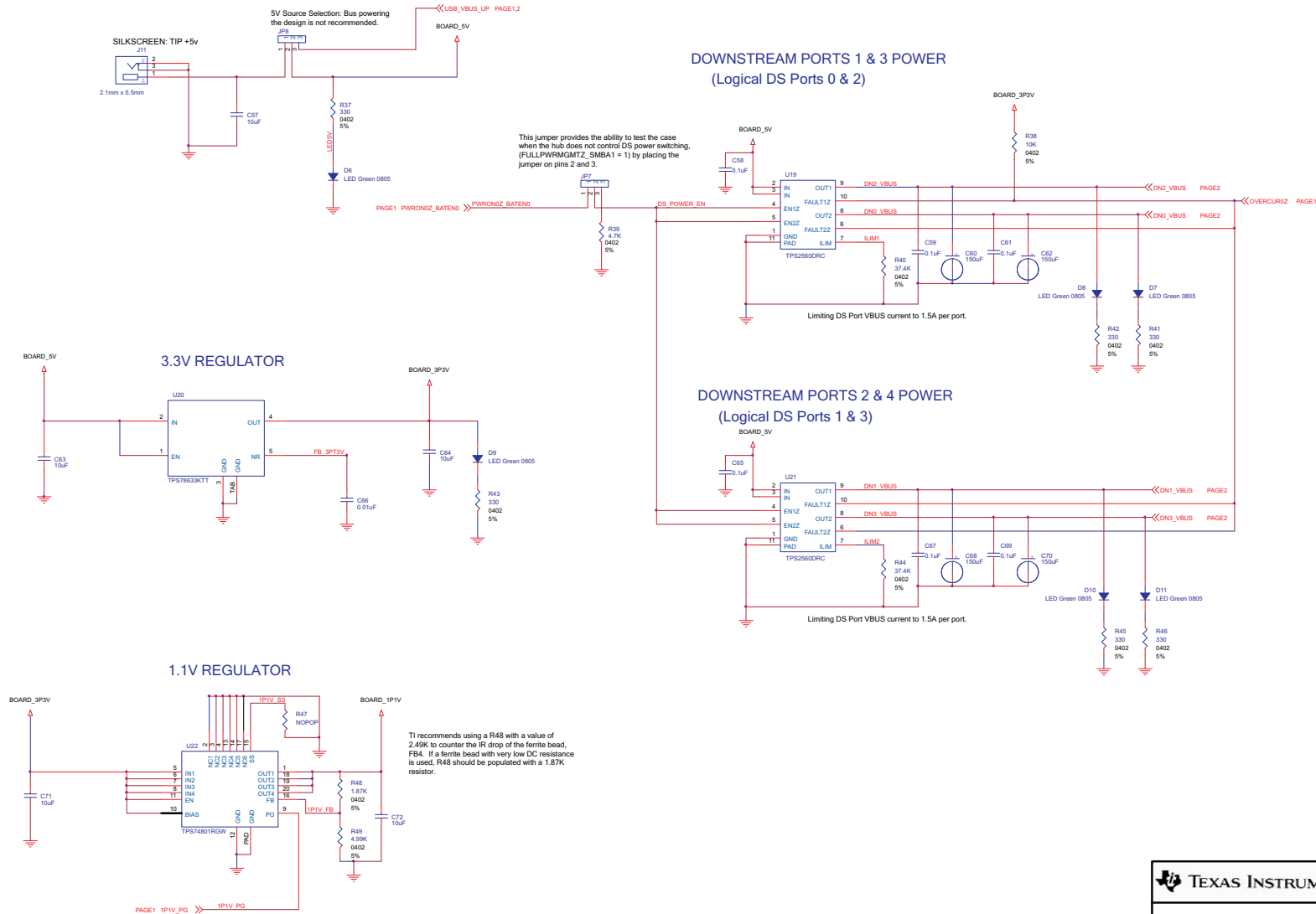
DS PORT 2
(Logical DS Port 1)



DS PORT 4
(Logical DS Port 3)



| | |
|--------------------------|-------------------------------------|
| TEXAS INSTRUMENTS | |
| USB3 CONNECTORS | |
| SIZE C | DWG No. |
| SCALE: NONE | Friday, March 04, 2011 Sheet 2 of 3 |



| | |
|--------------------------|-------------------------------------|
| TEXAS INSTRUMENTS | |
| POWER | |
| SIZE C | DWG NO: |
| SCALE: NONE | Friday, March 04, 2011 Sheet 3 of 3 |

IMPORTANT NOTICE

Texas Instruments Incorporated and its subsidiaries (TI) reserve the right to make corrections, modifications, enhancements, improvements, and other changes to its products and services at any time and to discontinue any product or service without notice. Customers should obtain the latest relevant information before placing orders and should verify that such information is current and complete. All products are sold subject to TI's terms and conditions of sale supplied at the time of order acknowledgment.

TI warrants performance of its hardware products to the specifications applicable at the time of sale in accordance with TI's standard warranty. Testing and other quality control techniques are used to the extent TI deems necessary to support this warranty. Except where mandated by government requirements, testing of all parameters of each product is not necessarily performed.

TI assumes no liability for applications assistance or customer product design. Customers are responsible for their products and applications using TI components. To minimize the risks associated with customer products and applications, customers should provide adequate design and operating safeguards.

TI does not warrant or represent that any license, either express or implied, is granted under any TI patent right, copyright, mask work right, or other TI intellectual property right relating to any combination, machine, or process in which TI products or services are used. Information published by TI regarding third-party products or services does not constitute a license from TI to use such products or services or a warranty or endorsement thereof. Use of such information may require a license from a third party under the patents or other intellectual property of the third party, or a license from TI under the patents or other intellectual property of TI.

Reproduction of TI information in TI data books or data sheets is permissible only if reproduction is without alteration and is accompanied by all associated warranties, conditions, limitations, and notices. Reproduction of this information with alteration is an unfair and deceptive business practice. TI is not responsible or liable for such altered documentation. Information of third parties may be subject to additional restrictions.

Resale of TI products or services with statements different from or beyond the parameters stated by TI for that product or service voids all express and any implied warranties for the associated TI product or service and is an unfair and deceptive business practice. TI is not responsible or liable for any such statements.

TI products are not authorized for use in safety-critical applications (such as life support) where a failure of the TI product would reasonably be expected to cause severe personal injury or death, unless officers of the parties have executed an agreement specifically governing such use. Buyers represent that they have all necessary expertise in the safety and regulatory ramifications of their applications, and acknowledge and agree that they are solely responsible for all legal, regulatory and safety-related requirements concerning their products and any use of TI products in such safety-critical applications, notwithstanding any applications-related information or support that may be provided by TI. Further, Buyers must fully indemnify TI and its representatives against any damages arising out of the use of TI products in such safety-critical applications.

TI products are neither designed nor intended for use in military/aerospace applications or environments unless the TI products are specifically designated by TI as military-grade or "enhanced plastic." Only products designated by TI as military-grade meet military specifications. Buyers acknowledge and agree that any such use of TI products which TI has not designated as military-grade is solely at the Buyer's risk, and that they are solely responsible for compliance with all legal and regulatory requirements in connection with such use.

TI products are neither designed nor intended for use in automotive applications or environments unless the specific TI products are designated by TI as compliant with ISO/TS 16949 requirements. Buyers acknowledge and agree that, if they use any non-designated products in automotive applications, TI will not be responsible for any failure to meet such requirements.

Following are URLs where you can obtain information on other Texas Instruments products and application solutions:

Products

| | |
|-----------------------------|--|
| Audio | www.ti.com/audio |
| Amplifiers | amplifier.ti.com |
| Data Converters | dataconverter.ti.com |
| DLP® Products | www.dlp.com |
| DSP | dsp.ti.com |
| Clocks and Timers | www.ti.com/clocks |
| Interface | interface.ti.com |
| Logic | logic.ti.com |
| Power Mgmt | power.ti.com |
| Microcontrollers | microcontroller.ti.com |
| RFID | www.ti-rfid.com |
| RF/IF and ZigBee® Solutions | www.ti.com/lprf |

Applications

| | |
|-------------------------------|--|
| Communications and Telecom | www.ti.com/communications |
| Computers and Peripherals | www.ti.com/computers |
| Consumer Electronics | www.ti.com/consumer-apps |
| Energy and Lighting | www.ti.com/energy |
| Industrial | www.ti.com/industrial |
| Medical | www.ti.com/medical |
| Security | www.ti.com/security |
| Space, Avionics and Defense | www.ti.com/space-avionics-defense |
| Transportation and Automotive | www.ti.com/automotive |
| Video and Imaging | www.ti.com/video |
| Wireless | www.ti.com/wireless-apps |

TI E2E Community Home Page

e2e.ti.com

Mailing Address: Texas Instruments, Post Office Box 655303, Dallas, Texas 75265
Copyright © 2011, Texas Instruments Incorporated