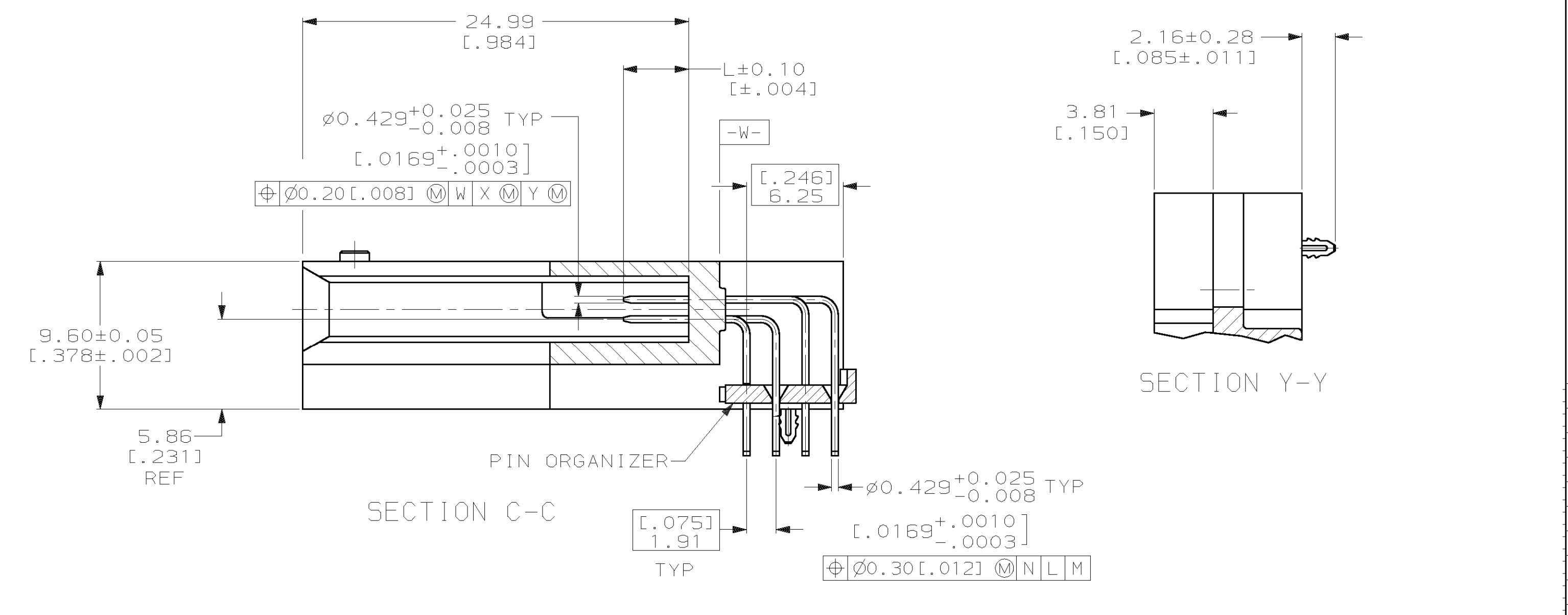
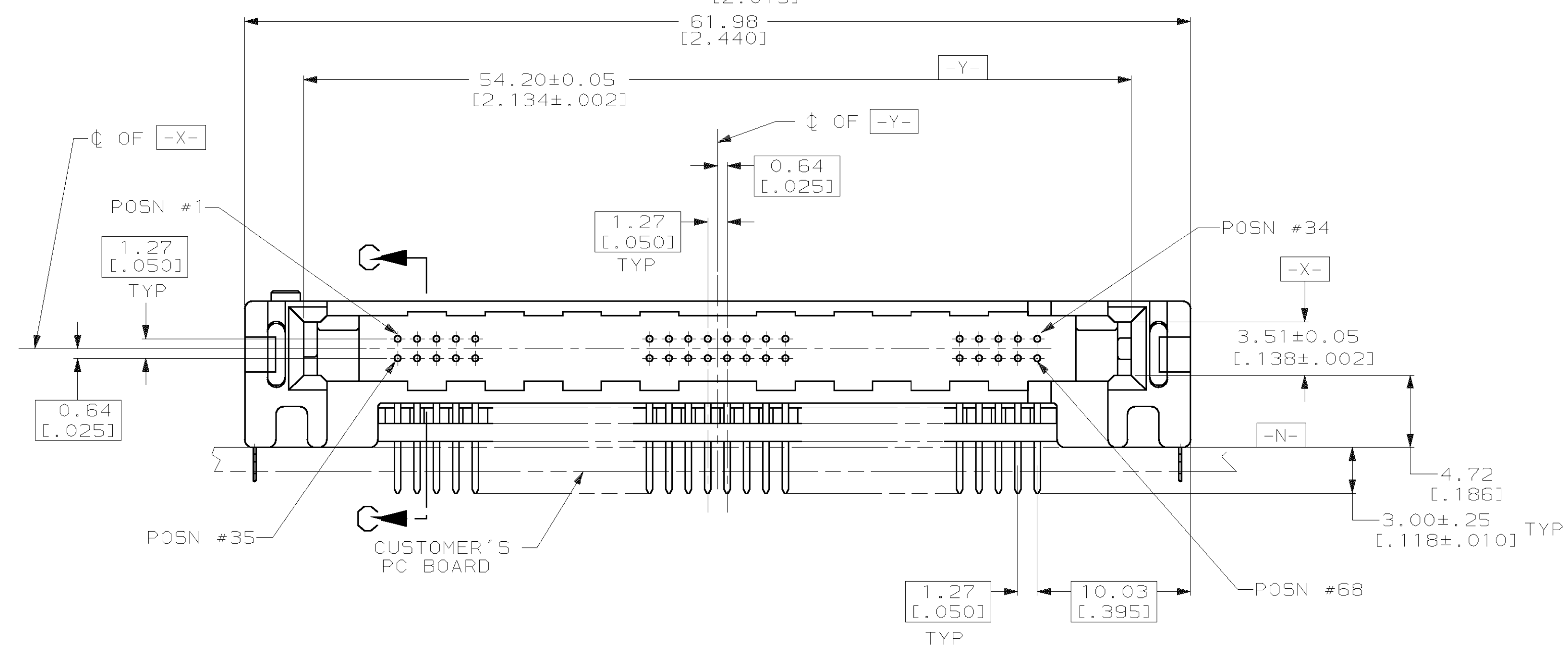
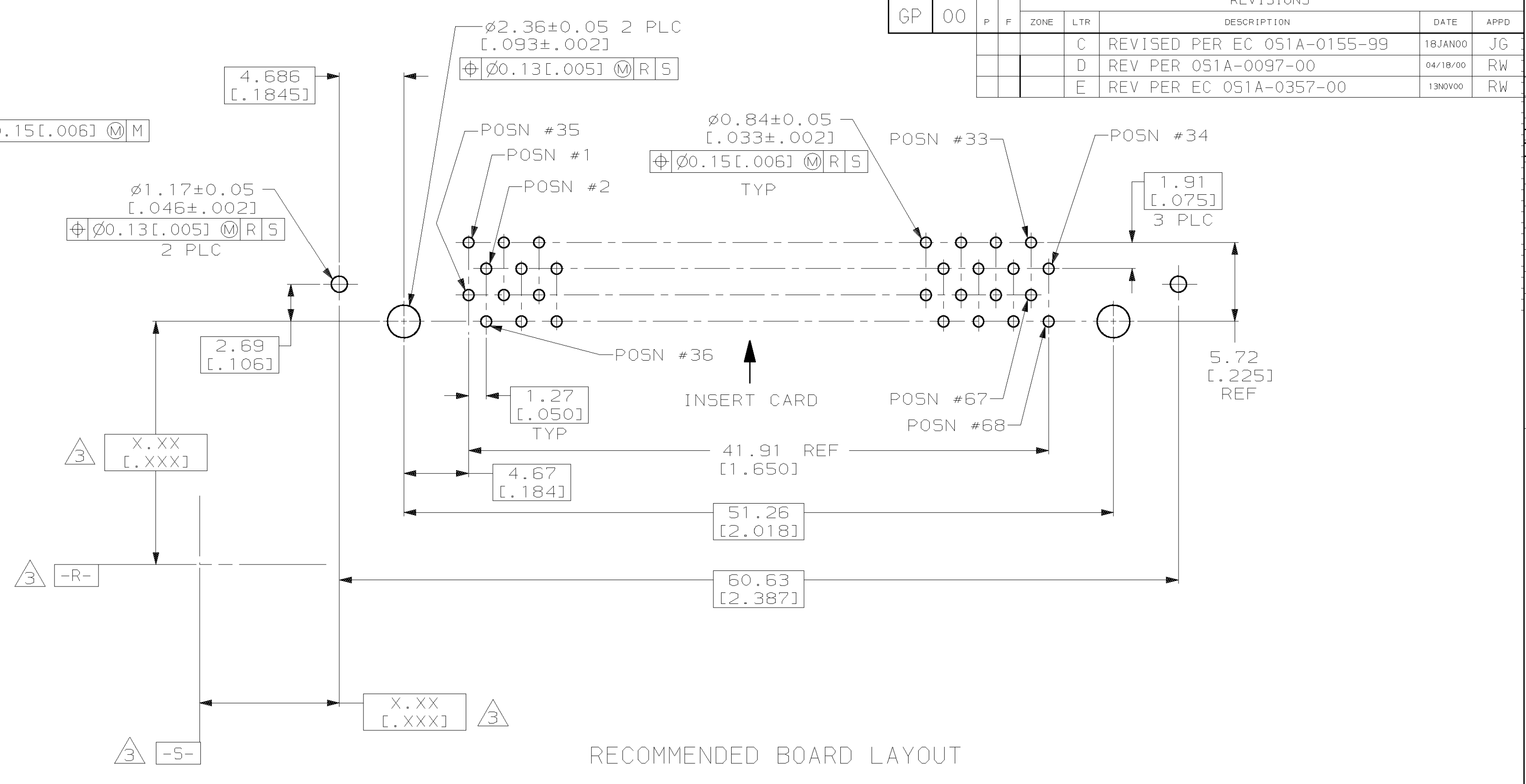
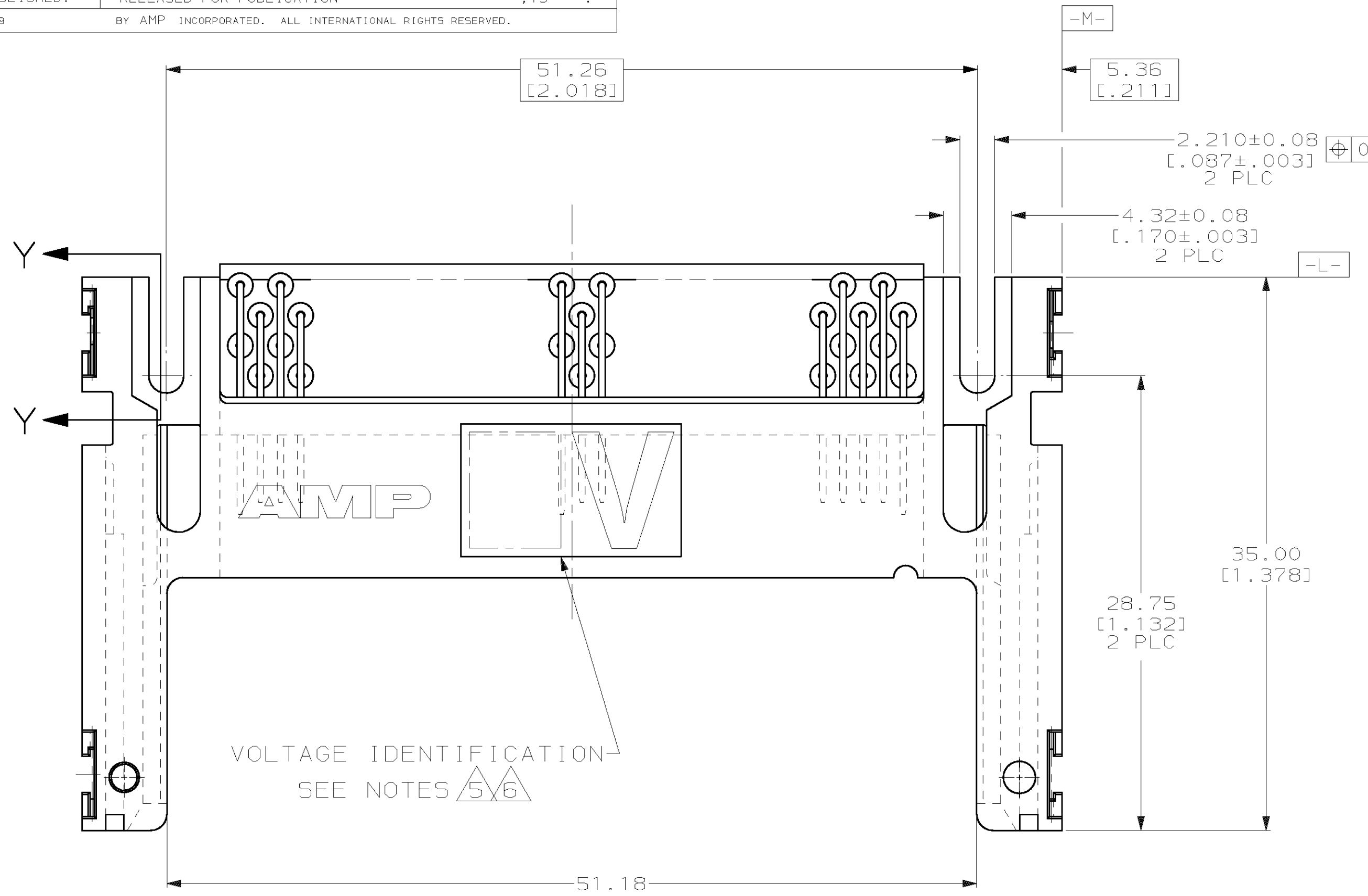


LOC	DIST	P	F	ZONE	LTR	DESCRIPTION	DATE	APPD
GP	00							
					C	REVISED PER EC 051A-0155-99	18JAN00	JG
					D	REV PER 051A-0097-00	04/18/00	RW
					E	REV PER EC 051A-0357-00	13NOV00	RW



- ① 0.00076[0.000030] MINIMUM GOLD IN CONTACT AREA, 0.00381[0.000150] MIN TIN-LEAD ON SOLDER TAILS, ALL OVER 0.00127[0.000050] MINIMUM NICKEL
- 2 CUSTOMER TO PROVIDE CARD GUIDANCE SYSTEM
- ③ DATUMS AND BASIC DIMENSIONS ESTABLISHED BY CUSTOMER
- 4 CONNECTOR REQUIRES USE OF 2 - SIZE 2M SCREWS FOR FASTENING TO PRINTED CIRCUIT BOARD
- ⑤ ASSEMBLY KEYED FOR 5 VOLT CARDS
- ⑥ ASSEMBLY KEYED FOR LOW VOLT CARDS (3.3V)

①	1, 17, 34 35, 51, 68	ALL OTHER PINS	36, 67	535659-2
②	1, 17, 34 35, 51, 68	ALL OTHER PINS	36, 67	535659-1
VOLTAGE KEYING & IDENTIFICATION	5.0 [0.197]	4.25 [0.167]	3.5 [0.138]	
	"L" (PIN LENGTH) AND LOCATION			PART NO

DO NOT SCALE PRINT. UNLESS SPECIFIED DIMENSIONS IN mm [INCHES] TOLERANCES ON: 2 PLC DEC ± 0.13 [0.005] 3 PLC DEC ± - ANGLES ± -	DR 3/8/93 J MOSER CHK 3/8/93 B ELICKER APPD 3/8/93 B ELICKER APPD 3/8/93 B FLINCHBAUGH PRODUCT SPEC - APPLICATION SPEC - HOLD-DOWN: TIN PLATED	AMP Incorporated Harrisburg, PA 17105-3608 NAME PIN HEADER ASSY, 68 POSN, RAISED HT, TOP BD MTG, THRU-HOLE, WITH HOLD-DOWNS, AMP MEMORY CARD SIZE D CAGE CODE 00779 DRAWING NO C-535659 SCALE 4:1
PIN: ① HOLD-DOWN: TIN PLATED	WEIGHT 8.5 GRAMS	SIZE D CAGE CODE 00779 DRAWING NO C-535659 SCALE 4:1

THIS DRAWING IS A CONTROLLED DOCUMENT FOR AMP INCORPORATED. IT IS SUBJECT TO CHANGE AND THE CONTROLLING ENGINEERING ORGANIZATION SHOULD BE CONTACTED FOR THE LATEST REVISION.