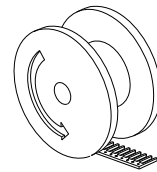
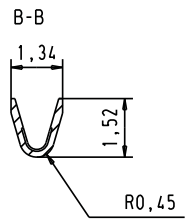
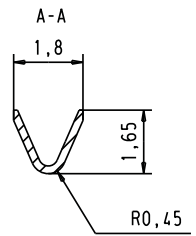
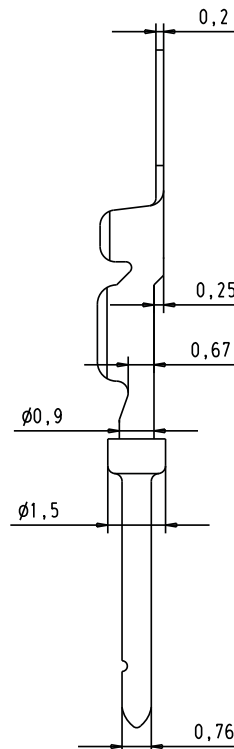
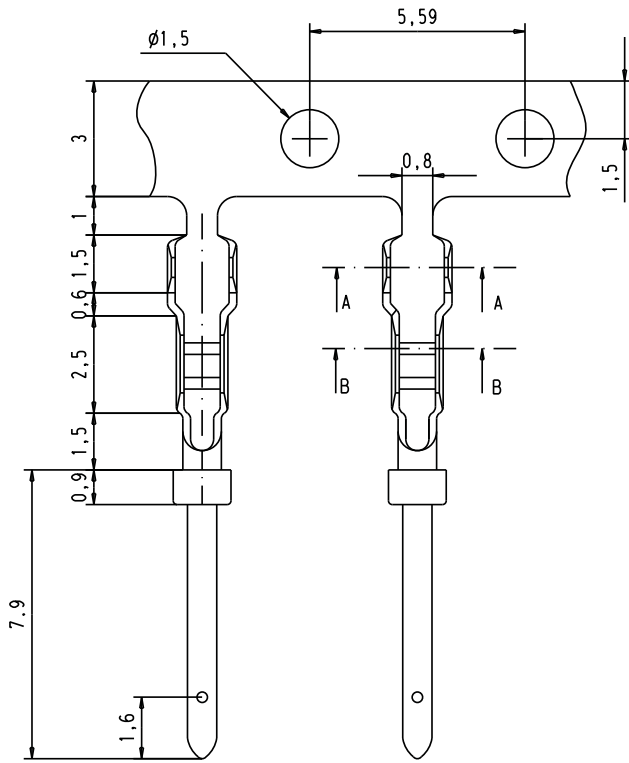
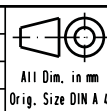


Alle Rechte vorbehalten/ All rights reserved



09560008155	0.76 μm Au
09560008157	3
Part number	Performance level

			Del.	Name
			Detail.	16-SEP-02 CV
			Insp.	
31376	20-JAN-03	S.H.	Stand.	
31356	30-OCT-02	S.H.		
31064	16-SEP-02	CV		
Mod.	Del.	Name	HARTING EURL F-95972 Paris	



All Dim. in mm
Orig. Size DIN A 4

D-Sub, high density,
stamped male contact
for AWG 24-26
10 Kpcs reel, unrolling left

Maßstab/
Scale

7 : 1



TB 0956000815x

Blatt/ Page
1

Sub.