

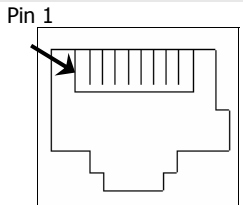
## Cable Adapters

### Digi CM, RJ-45 to DB-25 Modem Adapter

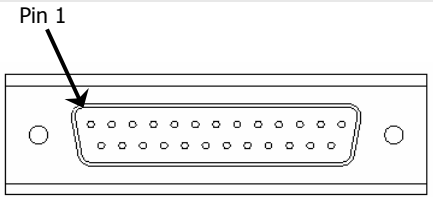
For use with Digi CM 8, 16, 32, 48 – All Models

Digi Cable Adapters allow you to connect your serial devices using commercially available CAT 5 cable of any length. Simply plug standard CAT 5 cable into your Digi Product, connect a Cable Adapter to the other end and plug the adapter into your device.

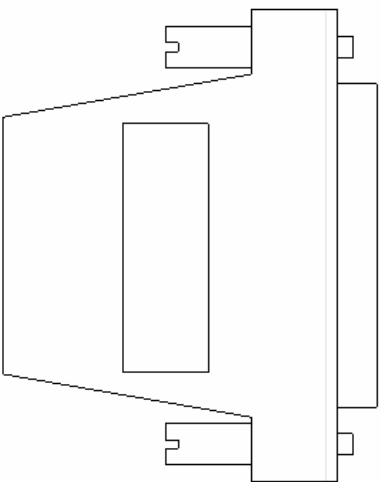
From RJ-45	Signal	Direction	Signal	To DB-25
1	CTS	←	CTS	5
2	DSR	→	DSR	6
3	RxD	←	RxD	3
4	Ground	↔	Ground	7
5	DCD	←	DCD	8
6	TxD	→	TxD	2
7	DTR	→	DTR	20
8	RTS	→	RTS	4



Female RJ-45  
8-pin



Male DB-25



Cable Adapter not to scale

\* Arrows indicate which direction the signal is flowing

#### Notes:

- All RJ45 cable adapters are 8-pin.

Digi Part Number 76000670    Digi CM DB25M Modem Adapter (8-pack)