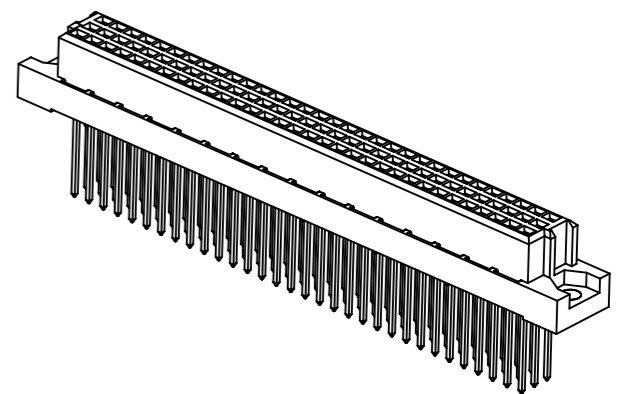


A
board drillings

A
contact arrangement

96 wire wrap contacts
 x = wire wrap contact
 □ = position without contact

B (2:1)



09 03 296 6821	2
09 03 296 2821	1
part no.	performance level

further information see product data sheet

 HARTING D-32339 Espelkamp	All Dimensions in mm Original Size DIN A3	Scale 1:1	Free size tol. IEC 60603-2	Ref. Sub.	
	All rights reserved Department EL PD	Created by STORCK	Inspected by LEHNERT	Standardisation 302077	Date 2021-03-23
Title DIN Signal type C female wire wrap 13.0 96-pole				Doc-Key / ECM-Nr. 100072232/UGD/093/D 500000191082	
Type TB		Number 0903296X821		Rev. D	Page 1/1