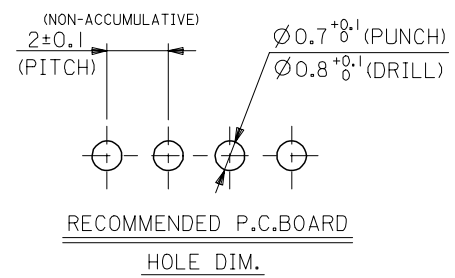
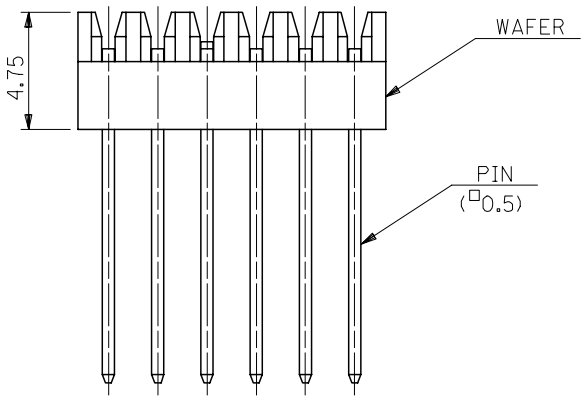
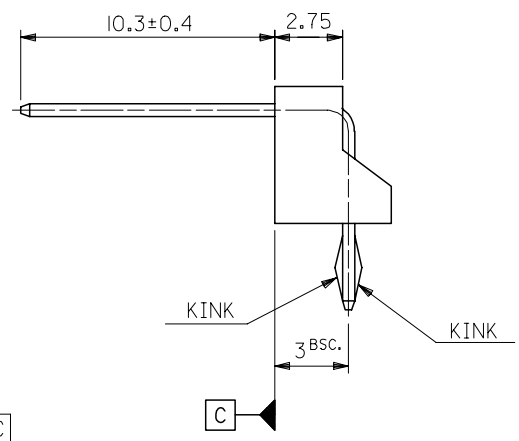
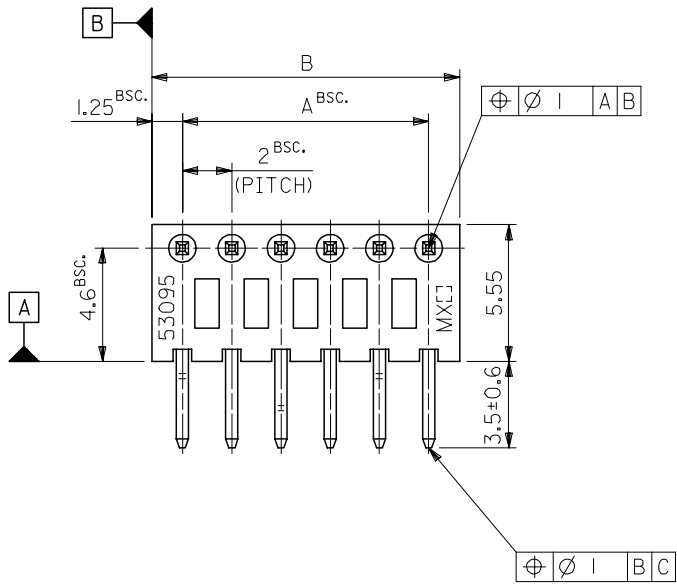


10 9 8 7 6 5 4 3 2 1

F
E
D
C
B
A



- NOTES:
1. MATES WITH 52084-***10
 2. KINK TO BE ADDED ON THE ODD NUMBER SOLDER TAILS ALTERNATERY FROM THE ENG.NO. SIDE.
 3. MATERIAL
WAFER: 66NYLON , UL94V-0
PIN: BRASS , TIN OVER COPPER PLATING.



30.5	28	53095-1510	15
28.5	26	-1410	14
26.5	24	-1310	13
24.5	22	-1210	12
22.5	20	-1110	11
20.5	18	-1010	10
18.5	16	-0910	9
16.5	14	-0810	8
14.5	12	-0710	7
12.5	10	-0610	6
10.5	8	53095-0510	5
B	A	ENG. NO.	CKT.

REVISED EC NO: J2006-2675 DRWN: NABEI 2006/04/25 CHKD: THARUYAMA 2006/04/26 APPR: NUKITA 2006/04/28	GENERAL TOLERANCES (UNLESS SPECIFIED)		DIMENSION STYLE MM ONLY		SCALE 5:1	DESIGN UNITS METRIC	THIRD ANGLE PROJECTION		
	10 UNDER	±0.2	DRAWN BY Y. MIZUNO		DATE '88/08/25		TITLE 2.0 PITCH B/B CONN WAFER ASSY R/A TYPE		
	10 OVER 30 UNDER	±0.25	CHECKED BY M. FUKUSHIMA		DATE '91/09/24				
	30 OVER	±0.3	APPROVED BY M. ENOMOTO		DATE '91/09/24		MOLEX INCORPORATED DOCUMENT NO. SD-53095-002 SHEET NO. 1 OF 1		
	ANGULAR	±3 °	MATERIAL NO.		SEE CHART				
DRAFT WHERE APPLICABLE MUST REMAIN WITHIN DIMENSIONS			SIZE A3		THIS DRAWING CONTAINS INFORMATION THAT IS PROPRIETARY TO MOLEX INCORPORATED AND SHOULD NOT BE USED WITHOUT WRITTEN PERMISSION				

10 9 8 7 6 5 4 3 2 1

F

E

D

C

B

A

F

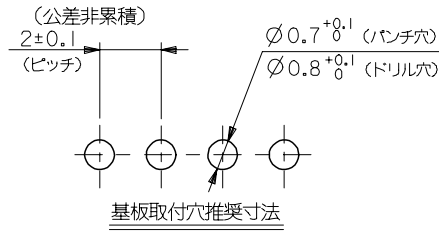
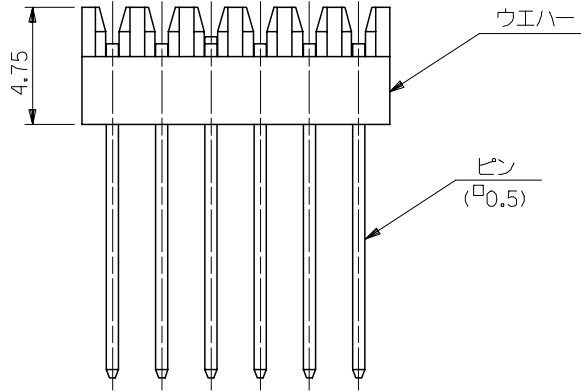
E

D

C

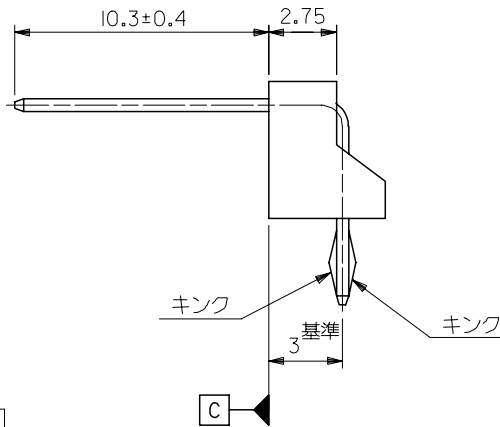
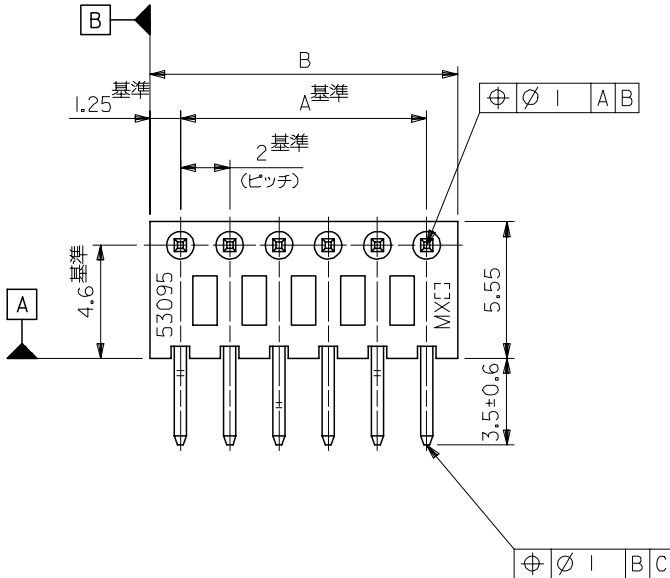
B

A



NOTES:

1. 嵌合相手: 52084-**10
2. ソルダーテールキックは 1ピンおきに交互に付加する。
3. 材料
ウエハー: 66ナイロン, UL94V-0
ピン: 黄銅, 銅下地錫メッキ



30.5	28	53095-1510	15
28.5	26	-1410	14
26.5	24	-1310	13
24.5	22	-1210	12
22.5	20	-1110	11
20.5	18	-1010	10
18.5	16	-0910	9
16.5	14	-0810	8
14.5	12	-0710	7
12.5	10	-0610	6
10.5	8	53095-0510	5
B	A	ENG. NO.	極数

REVISED EC NO: J2006-2675 DRWN: NABE 2006/04/25 CHKD: THARUYAMA 2006/04/26 APPR: NUKITA 2006/04/28	GENERAL TOLERANCES (UNLESS SPECIFIED)		DIMENSION STYLE MM ONLY		SCALE 5:1	DESIGN UNITS METRIC	THIRD ANGLE PROJECTION	
	10 UNDER	± 0.2	DRAWN BY Y. MIZUNO	DATE '88/08/25	TITLE 2.0 PITCH B/B CONN WAFER ASSY R/A TYPE			
	10 OVER 30 UNDER	± 0.25	CHECKED BY M. FUKUSHIMA	DATE '91/10/21				
	30 OVER	± 0.3	APPROVED BY M. ENOMOTO	DATE '91/10/21	MOLEX INCORPORATED			
ANGULAR	± 3 °	MATERIAL NO. SEE CHART		DOCUMENT NO. SD-53095-003				
DRAFT WHERE APPLICABLE MUST REMAIN WITHIN DIMENSIONS			SIZE A3		THIS DRAWING CONTAINS INFORMATION THAT IS PROPRIETARY TO MOLEX INCORPORATED AND SHOULD NOT BE USED WITHOUT WRITTEN PERMISSION			