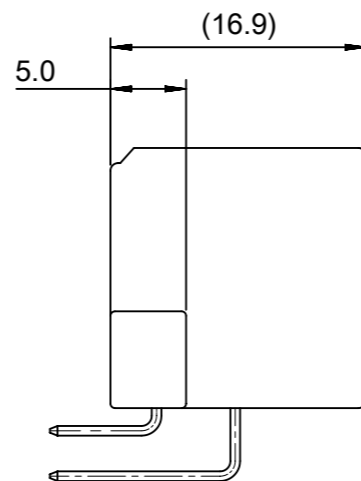
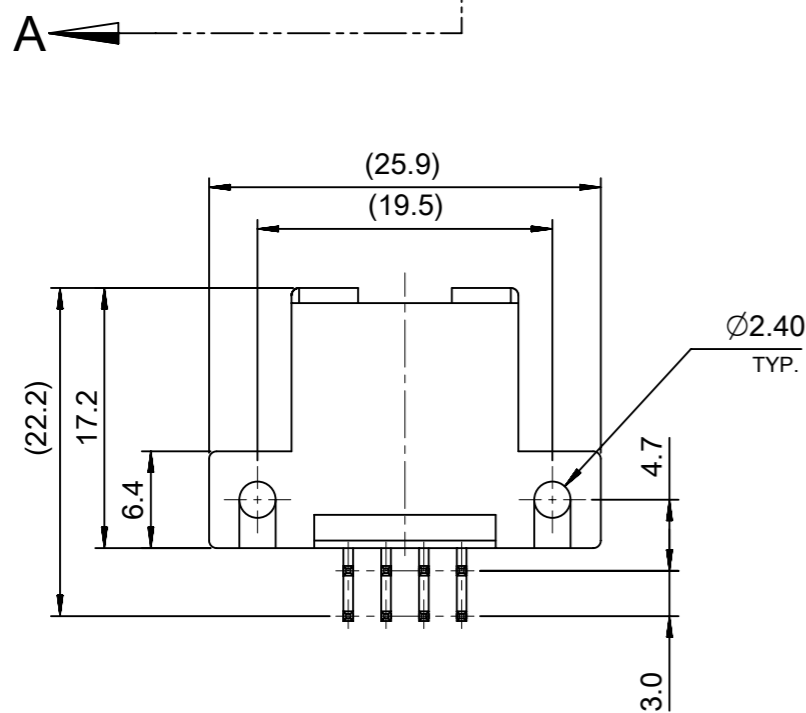


RECOMMENDED P.C.B HOLD DIM.(MOUNT SIDE)



**NOTES**

1. APPLICABLE FEMALE HOUSING : 68508-081\*

NO.	DESCRIPTION	MATERIAL	REMARK
1	HOUSING	POLYESTER, G/F 15%	UL94HB
2	PIN(L)	BRASS	PRE-TIN PLATED
3	PIN(S)		

THIS DRAWING CONTAINS INFORMATION THAT IS PROPRIETARY TO MOLEX ELECTRONIC TECHNOLOGIES, LLC AND SHOULD NOT BE USED WITHOUT WRITTEN PERMISSION		SCALE 2:1		CURRENT REV DESC: OBSOLETE PART NUMBER		<b>molex</b>	
DIMENSION UNITS mm		GENERAL TOLERANCES (UNLESS SPECIFIED)		EC NO: 632457 DRWN: AKUMAR19 2020/02/19 CHK'D: GGA 2020/03/23 APPR: GGA 2020/03/23			
4 PLACES ±		MM INCH		INITIAL REVISION:		PRODUCT CUSTOMER DRAWING	
3 PLACES ±		0.25 ±		DRWN: BCYOON 2002/08/05 APPR: CWLEE 2002/08/05		DOCUMENT NUMBER <b>SD-68145-308</b>	
2 PLACES ±		0.3 ±		ANGULAR TOL ± 1.0°		DOC TYPE DOC PART REVISION PSD 001 E	
1 PLACE ±		DRAFT WHERE APPLICABLE MUST REMAIN WITHIN DIMENSIONS		THIRD ANGLE PROJECTION		MATERIAL NUMBER CUSTOMER SEE TABLE GENERAL MARKET	
0 PLACES ±				DRAWING SERIES A3-SIZE 68145		SHEET NUMBER 1 OF 1	

NO.	ENG NO.	MATERIAL NO.	REMARK
1	68145-0825	681450825	GRAY
2	68145-0826	681450826	WHITE