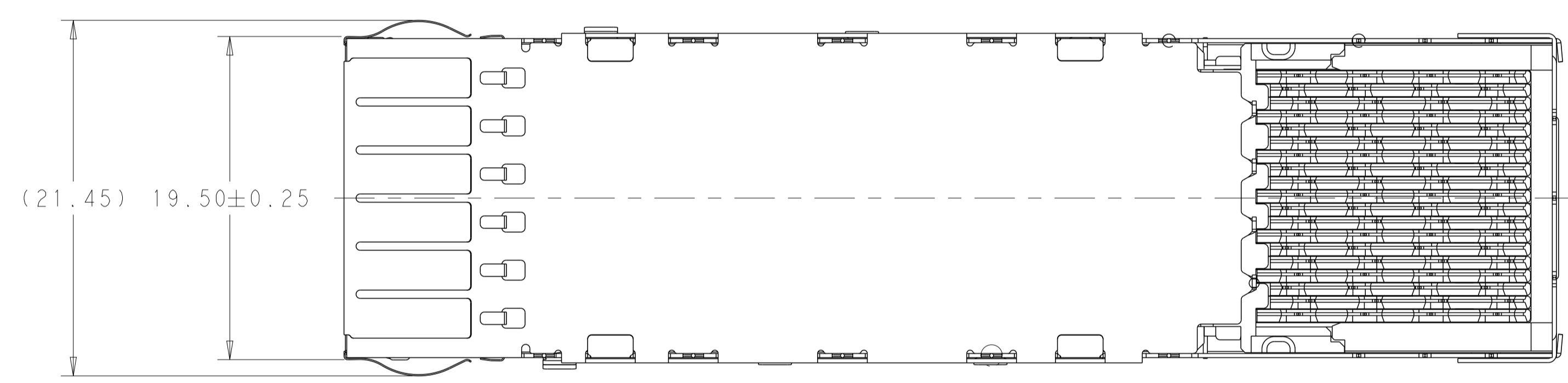
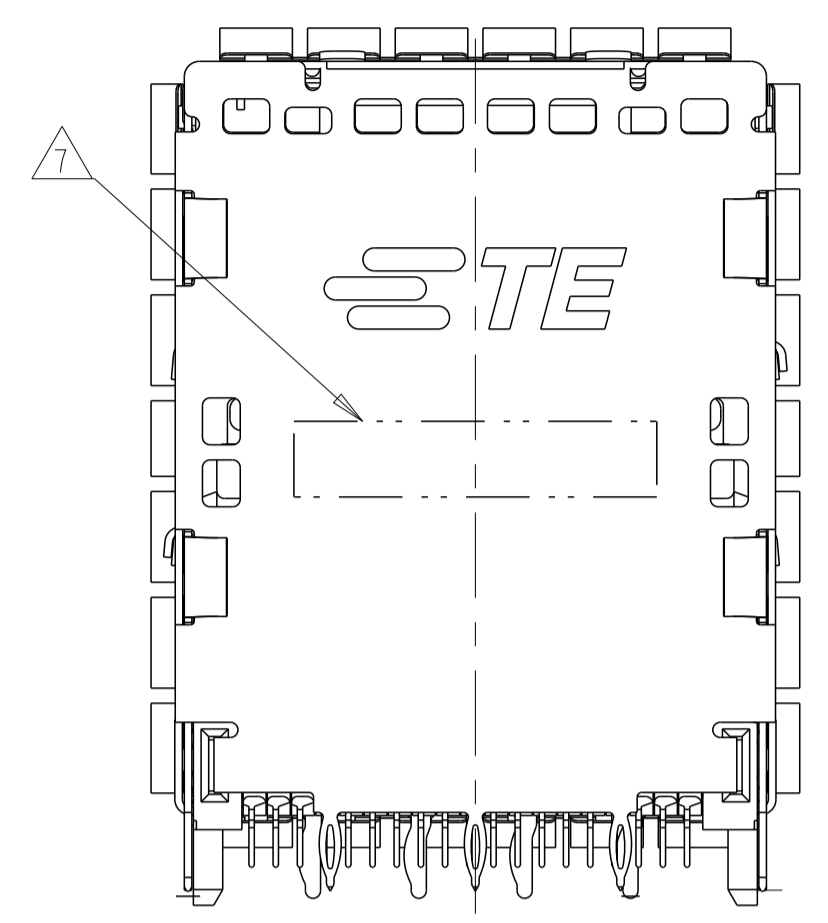
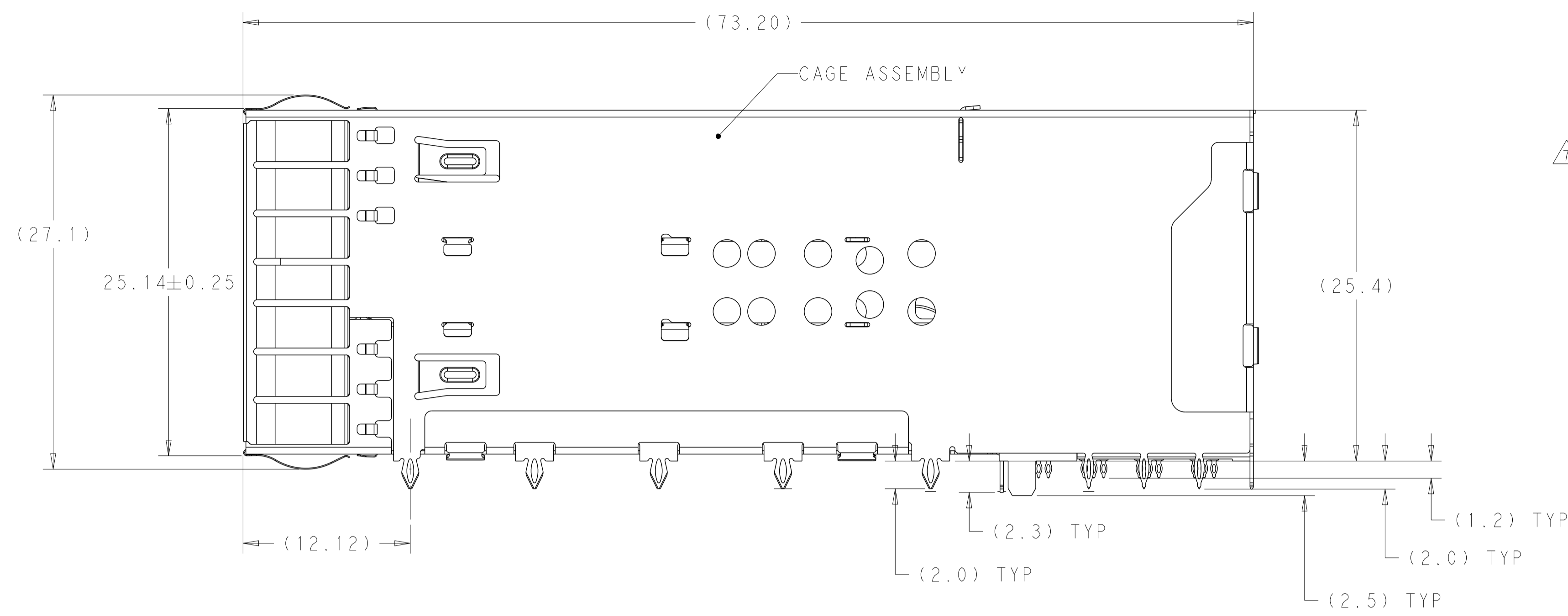
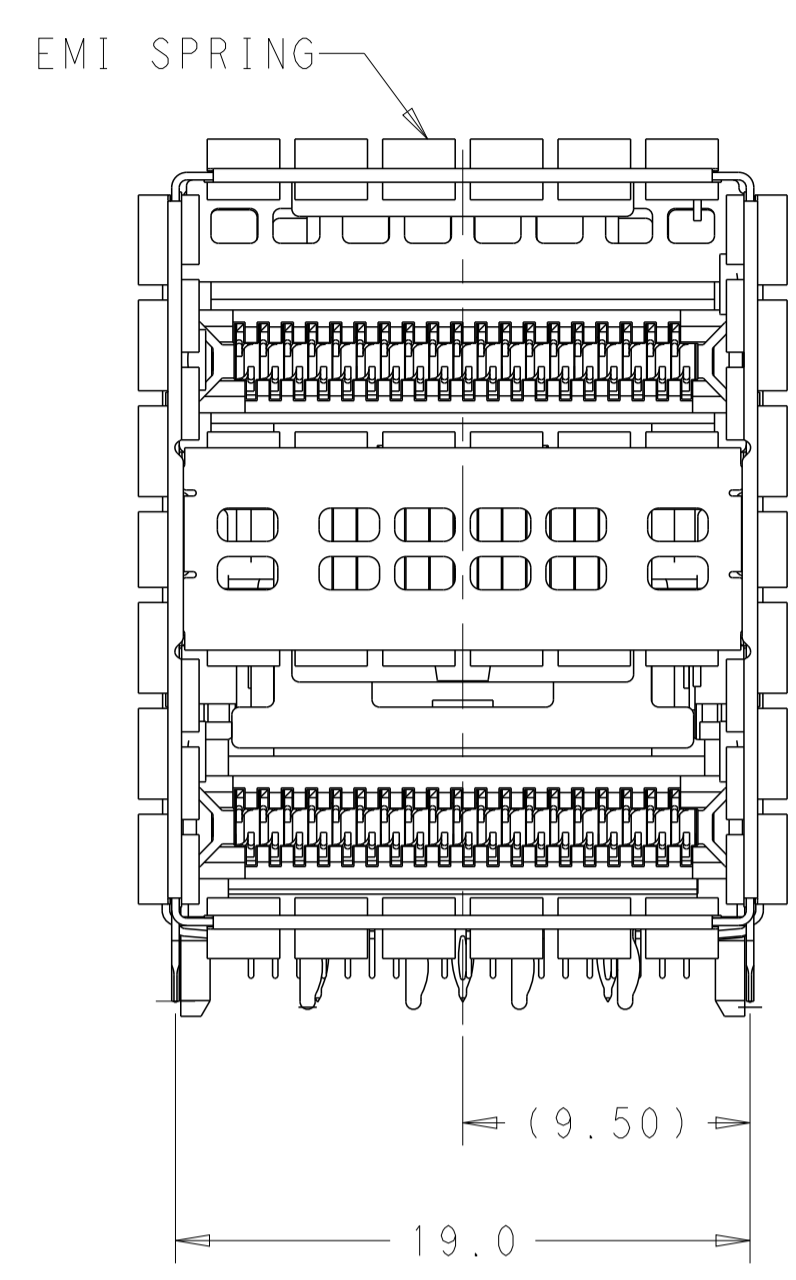


LOC	DIST	REVISIONS					
GP	00	P	LTN	DESCRIPTION	DATE	DWN	APVD
		E		REVISED PER ECR-19-013341	28AUG2019	RM	SH
		F		REVISED PER ECR-20-004478	31MAR2020	RM	SH
		F1		ADD 2--6	12JUL2022	TP	SZ



- MATERIALS:  
 CAGE ASSEMBLY- NICKEL SILVER ALLOY PER ASTM B 122.  
 EMI SPRING- COPPER ALLOY, NICKEL PLATED.  
 HOUSING- POLYESTER LCP WITH 94V-0.  
 CHICKLET- POLYESTER LCP WITH 94V-0.  
 CONTACT- COPPER ALLOY.  
 LIGHTPIPE- POLYCARBONATE WITH 94V-0.
- ② CONTACT FINISH: 0.76µm GOLD ON MATING END, 0.7-1.5µm MATT TIN ON COMPLIANT AREA, ALL OVER 1.27µm NICKEL.
  - ③ DATUM AND BASIC DIMENSION ESTABLISHED BY CUSTOMER.
  - 4. MINIMUM PCB THICKNESS OF 1.57.
  - ⑤ THE ENTIRE AREA OF THE CONNECTOR FOOTPRINT, INDICATED BY THE DASHED LINE, TO BE CONSIDERED THE KEEPOUT AREA FOR COMPONENTS.
  - ⑥ CROSS-HATCHED AREAS REPRESENT ZONES ON THE PCB THAT COME IN CONTACT WITH OR BE IN CLOSE PROXIMITY TO THE PLASTIC HOUSING OR THE CONNECTOR CAGE. INDICATED AREAS TO BE CONSIDERED TRACE FREE.
  - ⑦ PART NUMBER AND DATE CODE MADE IN APPROXIMATE AREA SHOWN.
  - ⑧ CONTACT FINISH: 0.08µm MINIMUM GOLD OVER 0.68µm PALLADIUM-NICKEL ON MATING AREA, 0.7-1.5µm MATT TIN ON COMPLIANT AREA, ALL OVER 1.27µm NICKEL.
  - ⑨ HATCHED AREA IS PLACEMENT ZONE FOR LED. LED SHOULD BE CENTERED WITHIN ZONE. RECOMMEND 0805 PACKAGE.
  - ⑩ THE ORDER FOR LED LOCATION, CORRESPONDING TO THE LIGHT PIPES
  - ⑪ LOW Br/Ci AS DEFINED IN TEC-138-702.
  - ⑫ CAGE ASSEMBLY WITH 1.27µm NICKEL PLATED.

②	ALL INDICATOR DOWN, 8LP	2-2227669-6
②	ROUND INDICATOR, 4LP	4-2227669-1
②	LEFT INDICATOR UP	3-2227669-0
②	ROUND INDICATOR, 8LP	2-2227669-5
②	4 UPPER LP	2-2227669-4
②	ROUND INDICATOR, 8LP	2-2227669-3
②	ALL INDICATOR DOWN, 8LP	2-2227669-2
②	ROUND INDICATOR, 8LP	2-2227669-1
②	LEFT INDICATOR UP	2-2227669-0
②	LEFT INDICATOR DOWN, 4LP	1-2227669-9
②	ALL INDICATOR UP, 4LP	1-2227669-7
②	ROUND INDICATOR, 4LP	1-2227669-1
②	ALL INDICATOR DOWN, 4LP	1-2227669-0
②	LEFT INDICATOR DOWN, 4LP	2227669-9
②	LEFT INDICATOR UP, 4LP	2227669-8
②	ALL INDICATOR UP, 4LP	2227669-7
⑧	LEFT INDICATOR DOWN	2227669-6
⑧	LEFT INDICATOR UP	2227669-5
⑧	NO LIGHT PIPE	2227669-4
②	LEFT INDICATOR DOWN	2227669-3
②	LEFT INDICATOR UP	2227669-2
②	NO LIGHTPIPE	2227669-1
CONTACT FINISH	DESCRIPTION	PART NUMBER

THIS DRAWING IS A CONTROLLED DOCUMENT. DWN: M. SHIRK 16JAN2013, CHK: D. SZCZESNY 16JAN2013, APVD: -

DIMENSIONS: mm. TOLERANCES UNLESS OTHERWISE SPECIFIED: 0 PLC ±, 1 PLC ±0.25, 2 PLC ±0.15, 3 PLC ±, 4 PLC ±, ANGLES ±.

MATERIAL: SEE NOTE 1. FINISH: -

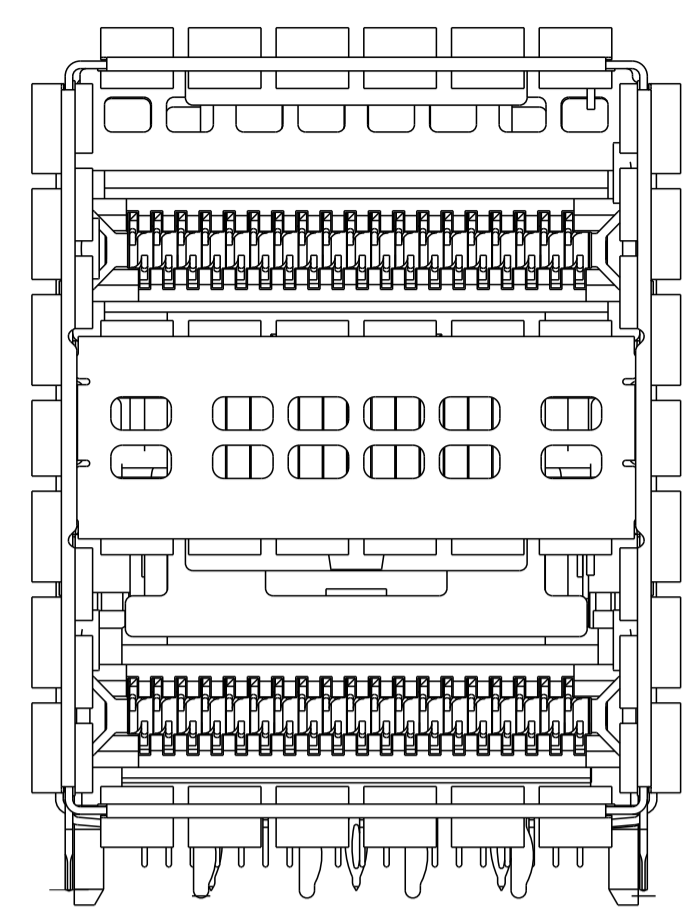
PRODUCT SPEC: 108-60102. APPLICATION SPEC: 114-60015. WEIGHT: -. SIZE: A1. CAGE CODE: 00779. DRAWING NO: 2227669. RESTRICTED TO: -

CUSTOMER DRAWING. SCALE: 1:1. SHEET 1 OF 8. REV: F1.

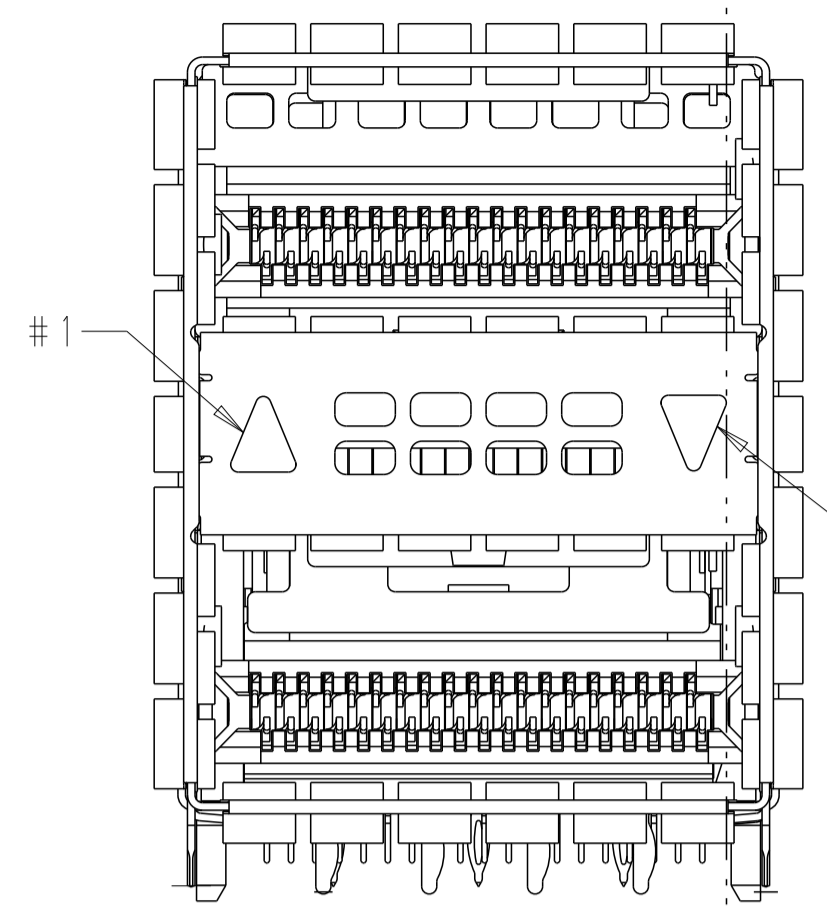
STE TE Connectivity

CAGE AND CONNECTOR ASSEMBLY, WITH EMI SPRING FINGERS, THRU BEZEL, 2X1, ZOSFP+ STACKED

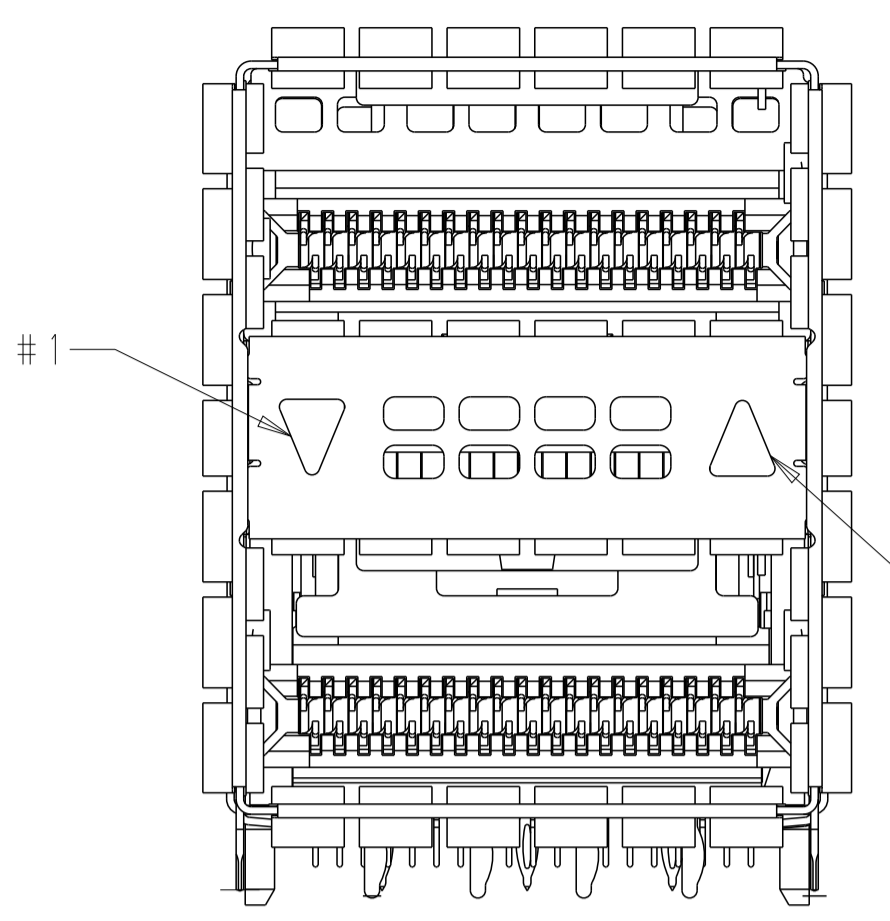
LOC		DIST		REVISIONS			
GP	00	P	LYN	DESCRIPTION	DATE	OWN	APVD
		-		SEE SHEET 1			



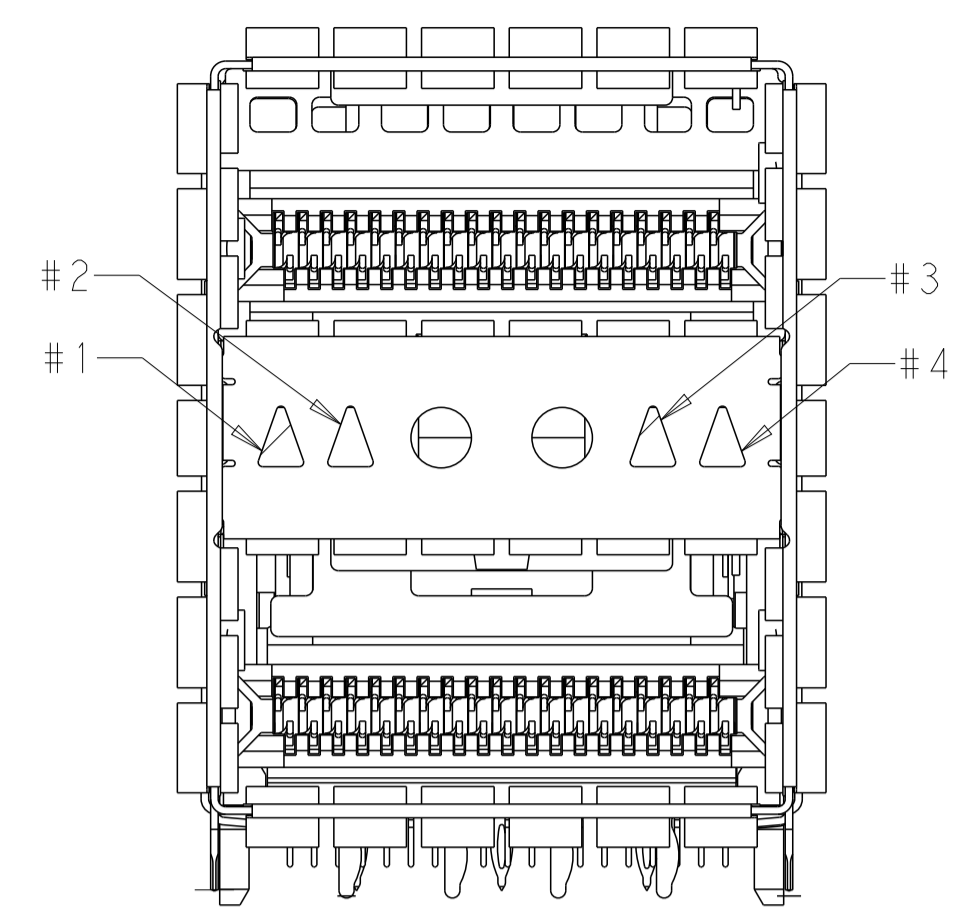
2227669-1  
 2227669-4  
 NO LIGHTPIPE IN ASSEMBLY



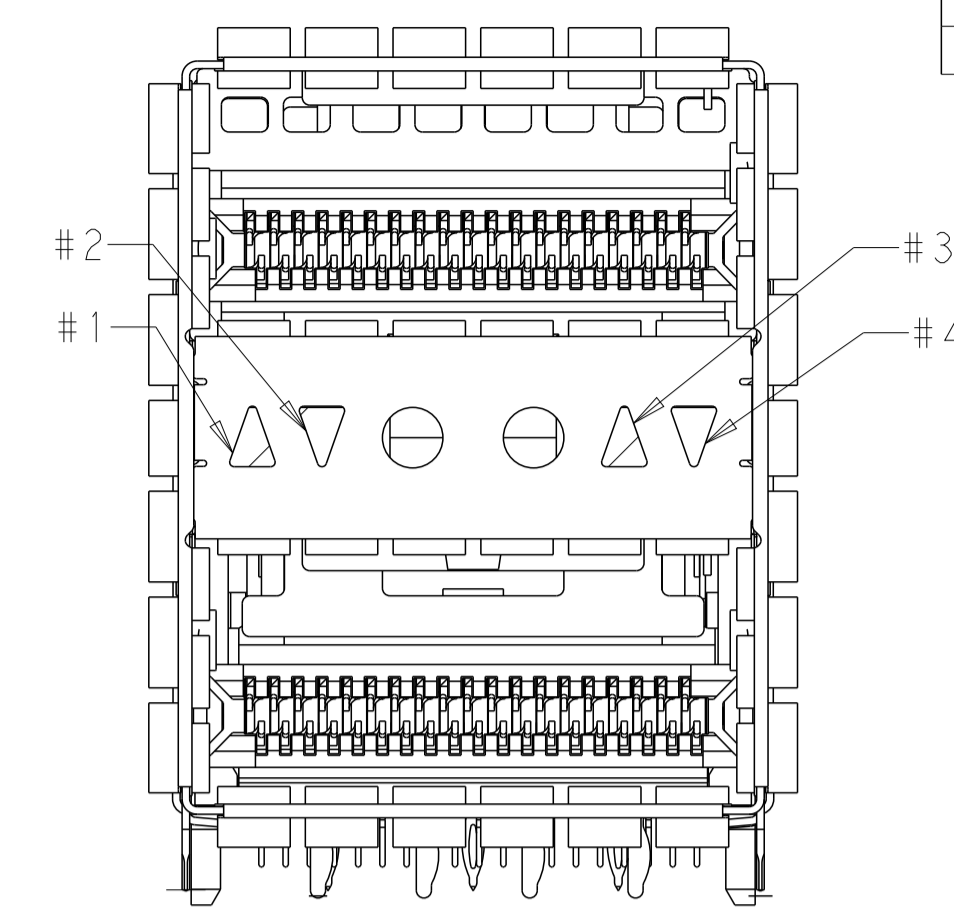
2227669-2  
 2227669-5  
 LEFT INDICATOR UP



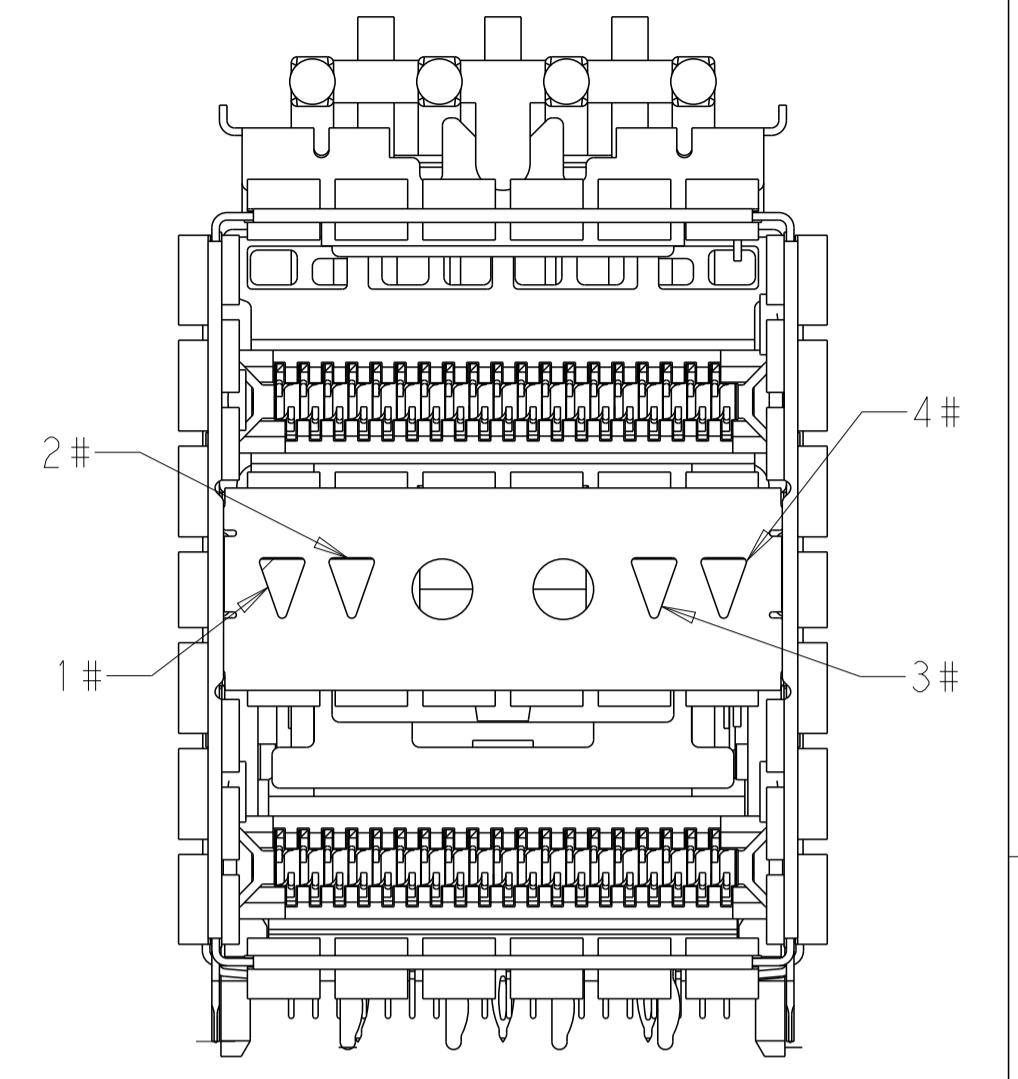
2227669-3  
 2227669-6  
 LEFT INDICATOR DOWN



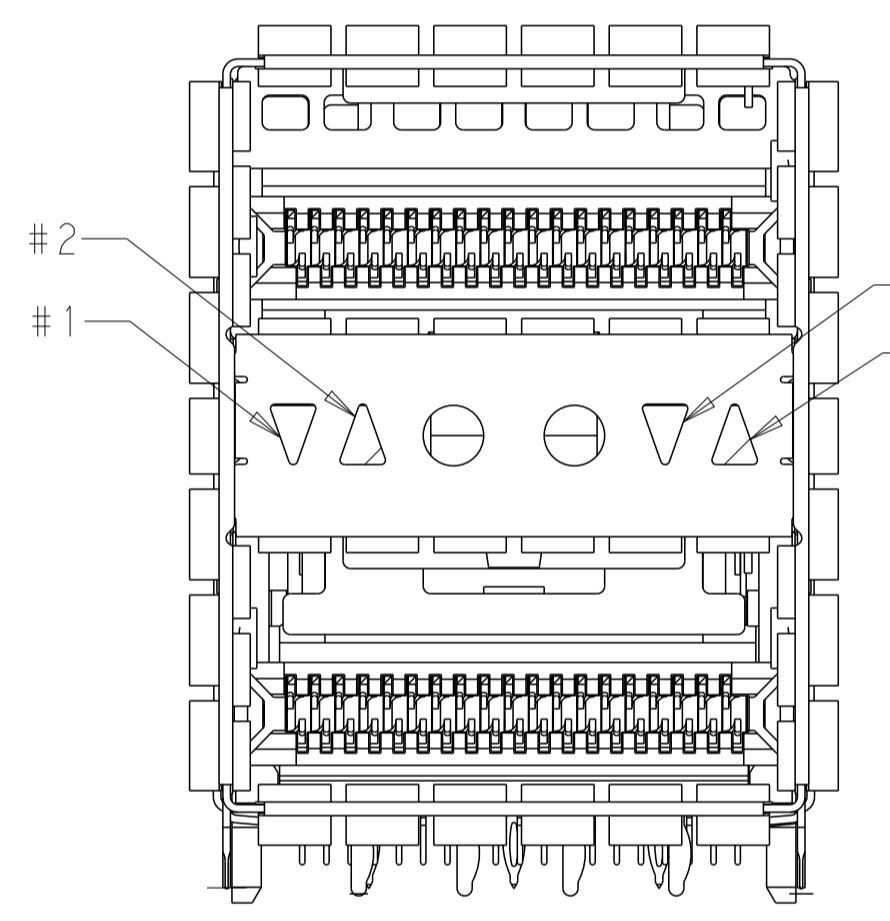
2227669-7  
 1-2227669-7  
 ALL INDICATOR UP, 4LP



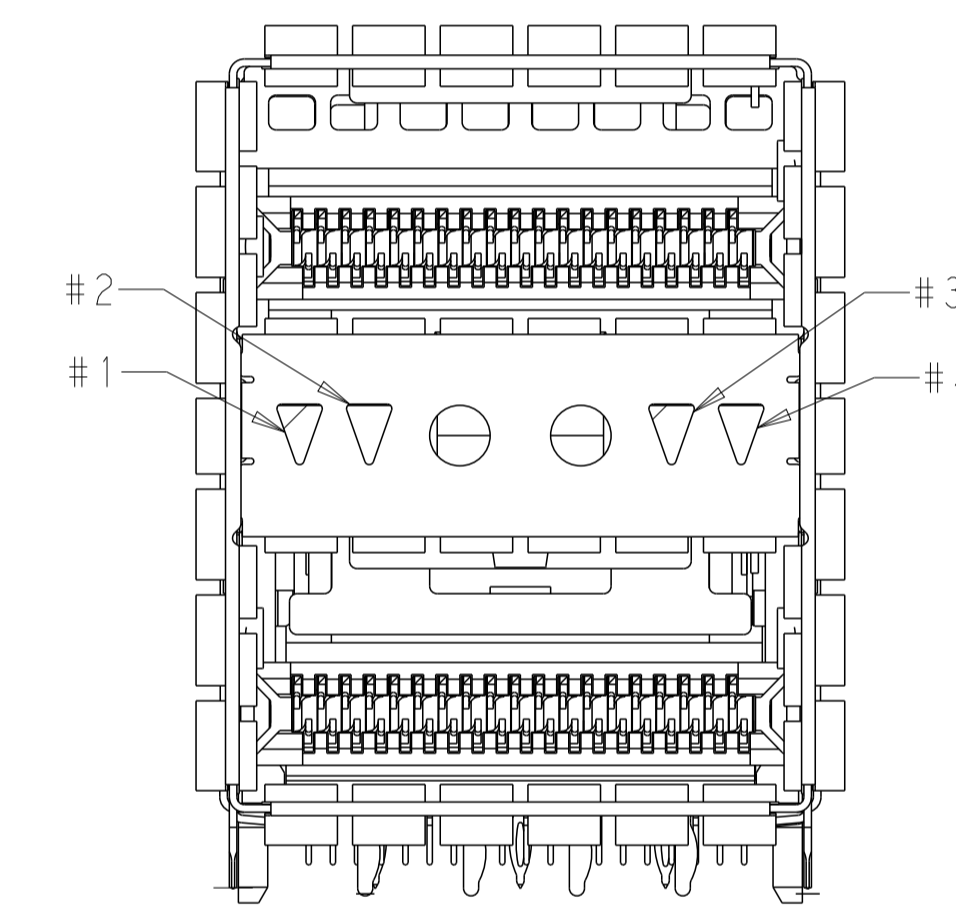
2227669-8  
 LEFT INDICATOR UP, 4LP



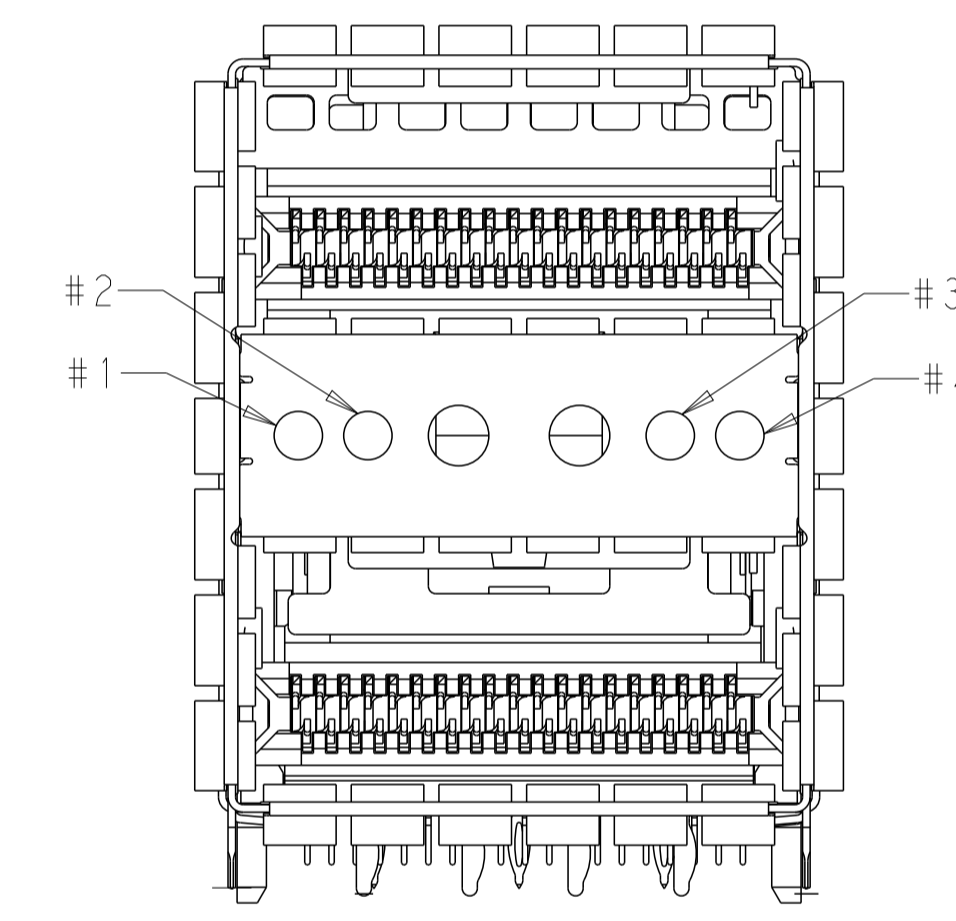
2-2227669-2  
 2-2227669-6  
 ALL INDICATOR DOWN, 8LP



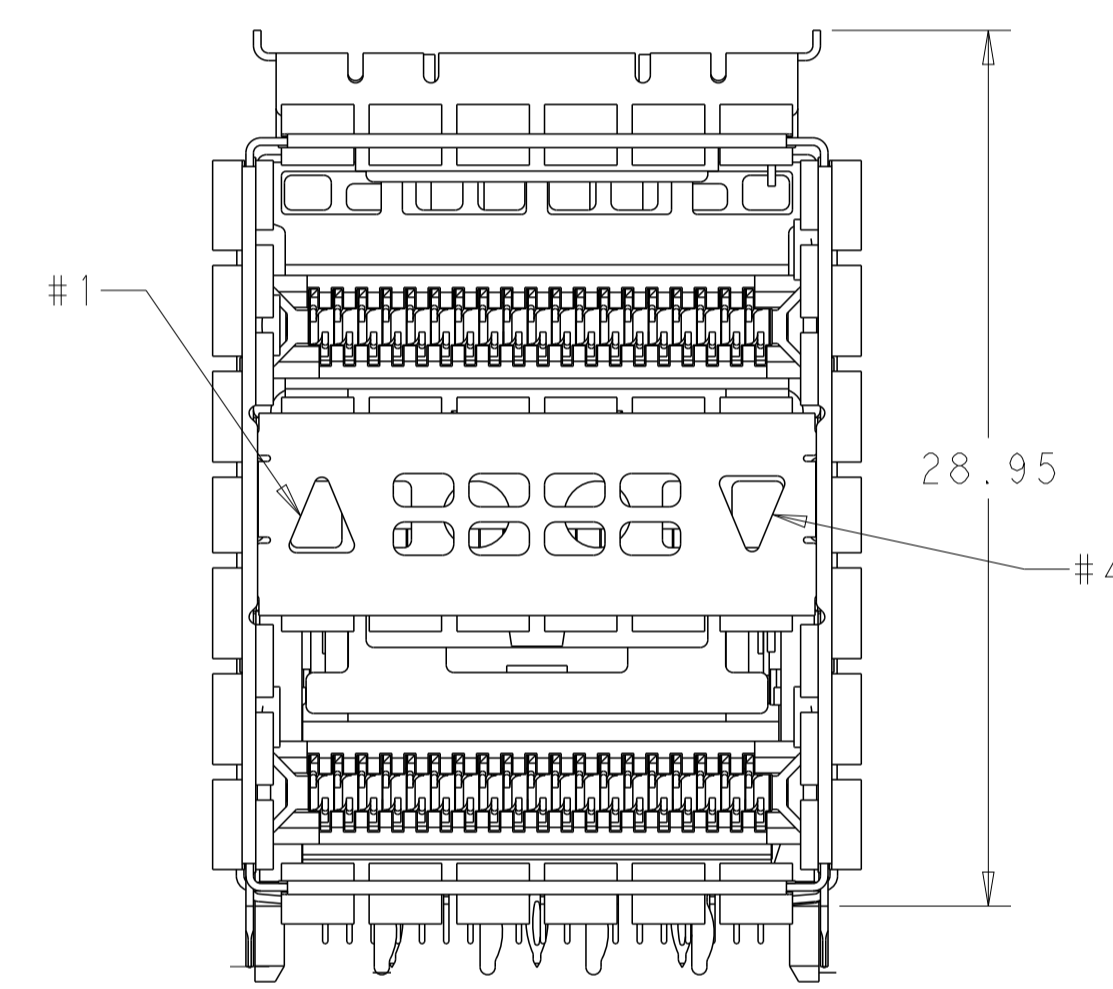
2227669-9  
 1-2227669-9  
 LEFT INDICATOR DOWN, 4LP



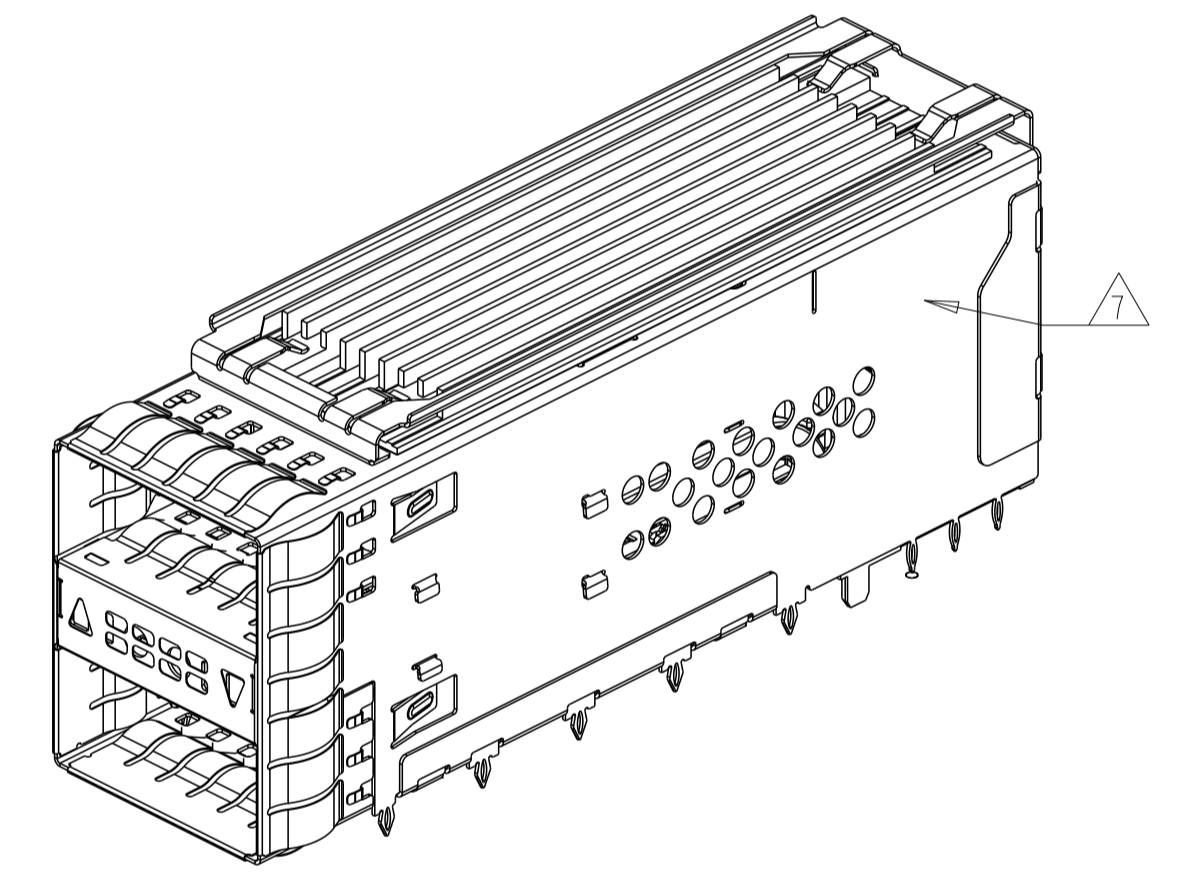
1-2227669-0  
 ALL INDICATOR DOWN, 4LP



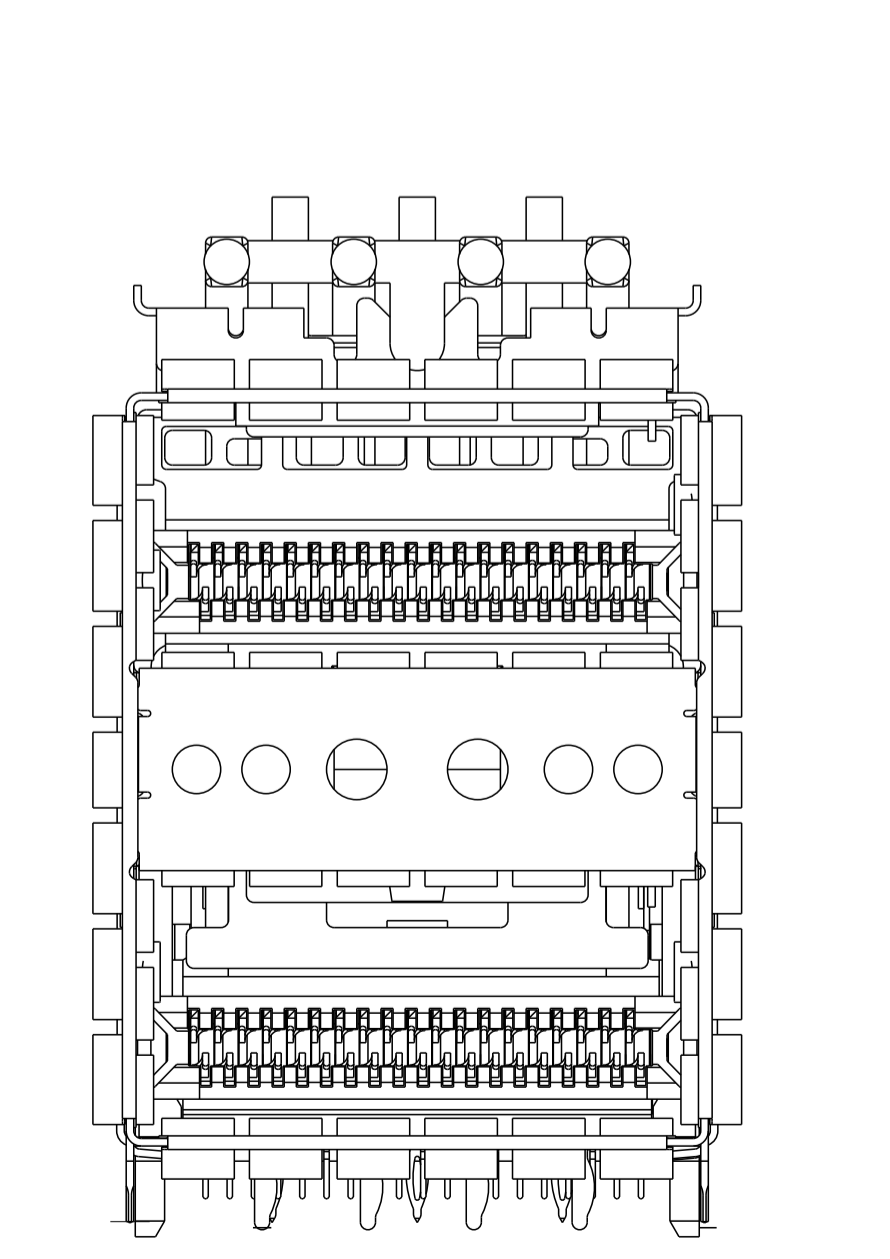
1-2227669-1  
 4-2227669-1  
 ROUND SHAPE INDICATORS, 4LP



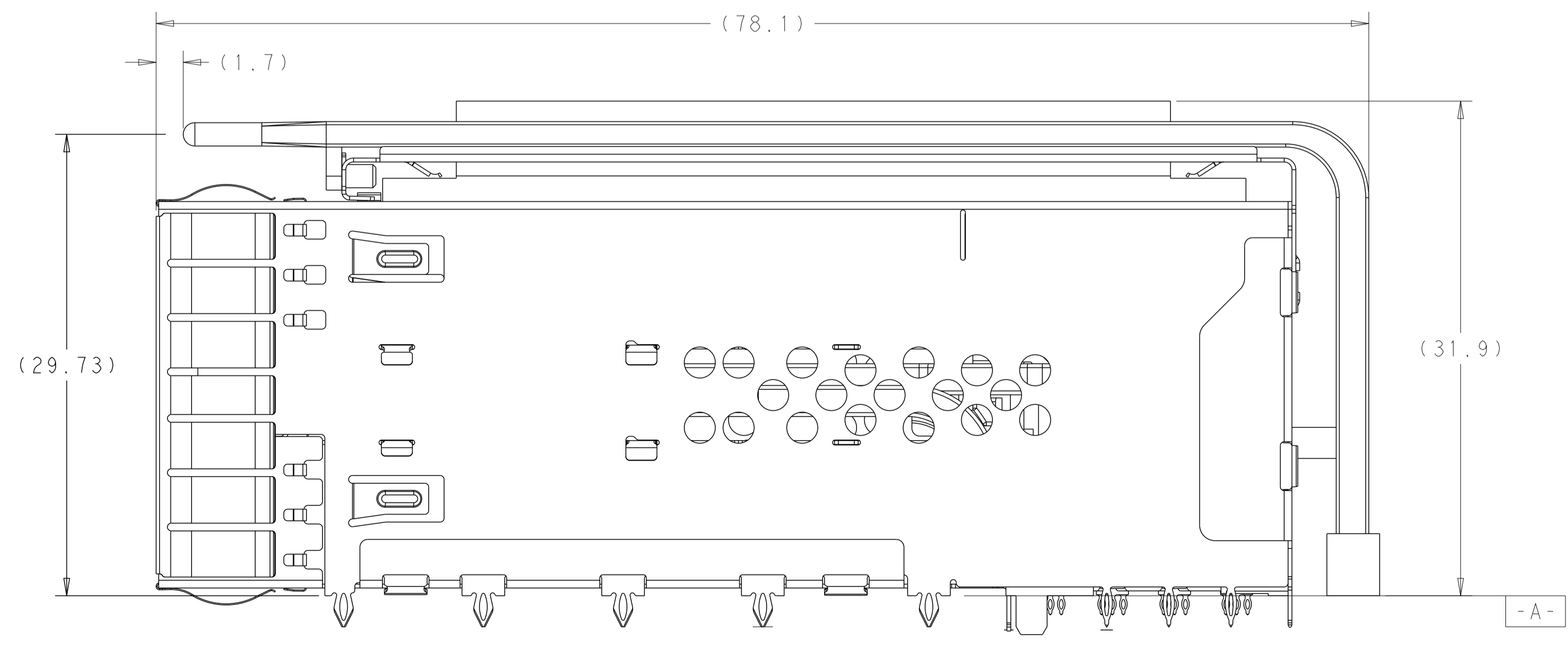
2-2227669-0  
 LEFT INDICATOR UP  
 SCALE 4:1



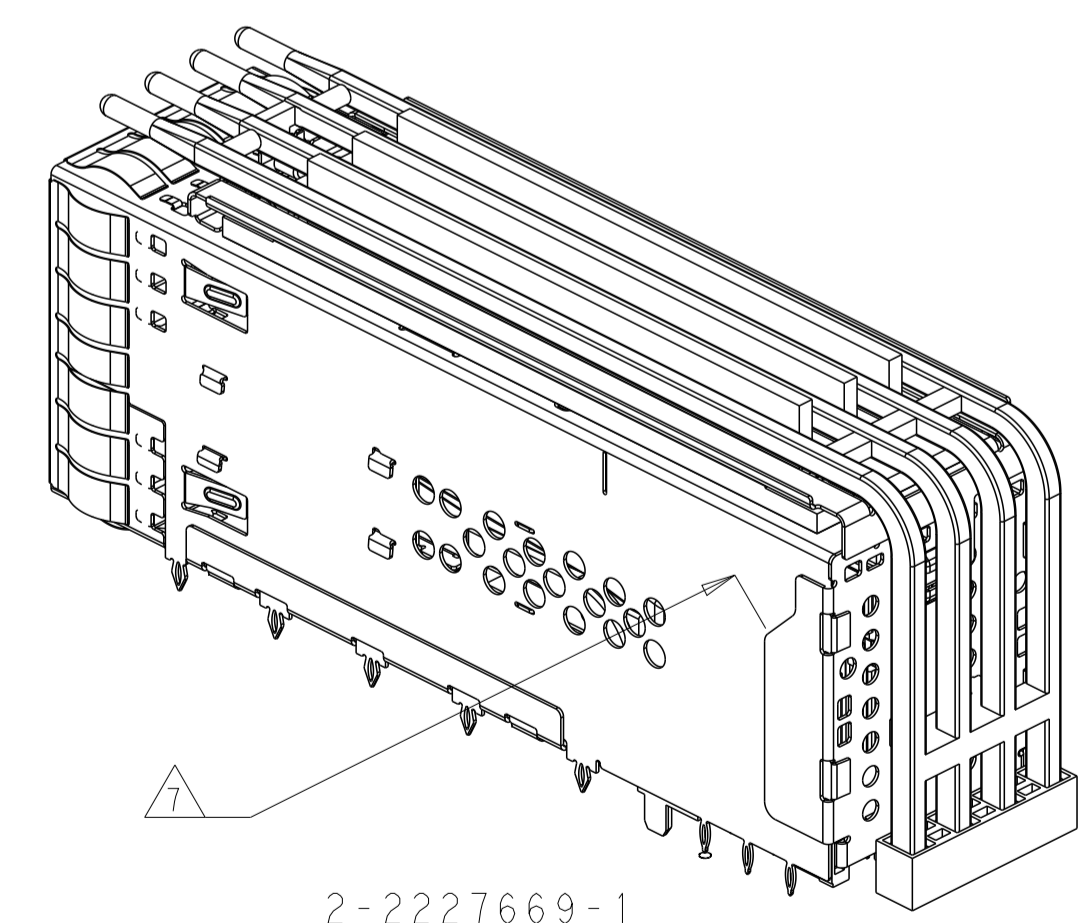
2-2227669-0  
 SCALE 2:1



2-2227669-1  
 ALL ROUND INDICATORS, 8LP  
 SCALE 4:1



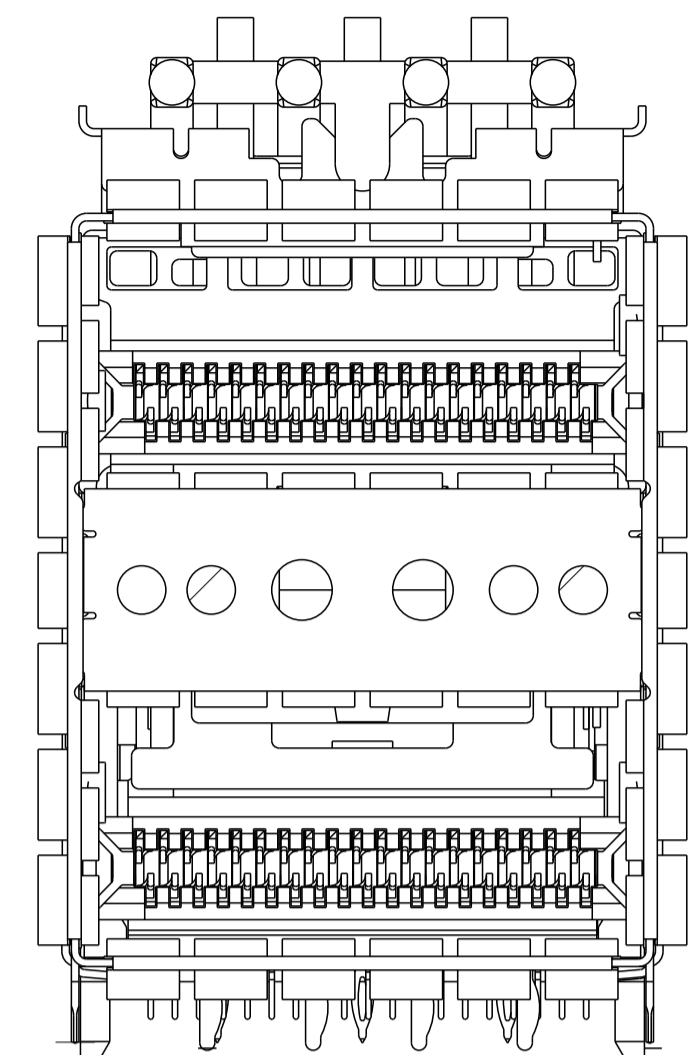
2-2227669-1  
 2-2227669-2



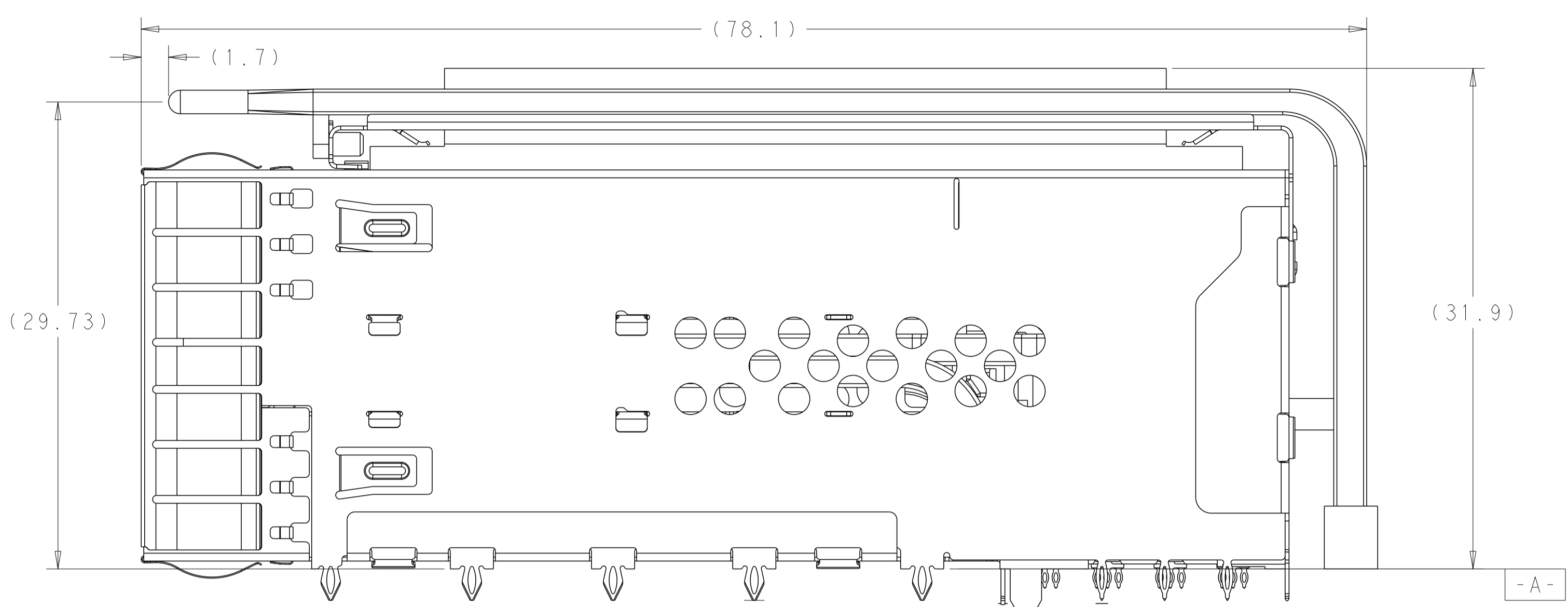
2-2227669-1  
 2-2227669-2  
 SCALE 2:1

THIS DRAWING IS A CONTROLLED DOCUMENT.		OWN: M. SHIRK 16JAN2013	TE Connectivity
DIMENSIONS: mm		CHK: D. SZCZESNY 16JAN2013	
TOLERANCES UNLESS OTHERWISE SPECIFIED:		APVD: -	NAME: CAGE AND CONNECTOR ASSEMBLY, WITH EMI SPRING FINGERS, THRU BEZEL, 2X1, ZOSFP+ STACKED
0 PLC ±		PRODUCT SPEC	RESTRICTED TO
1 PLC ±0.25		108-60102	
2 PLC ±0.15		APPLICATION SPEC	
3 PLC ±		114-60015	
4 PLC ±		WEIGHT	
ANGLES ±		FINISH	
MATERIAL		SEE NOTE 1	
		CUSTOMER DRAWING	

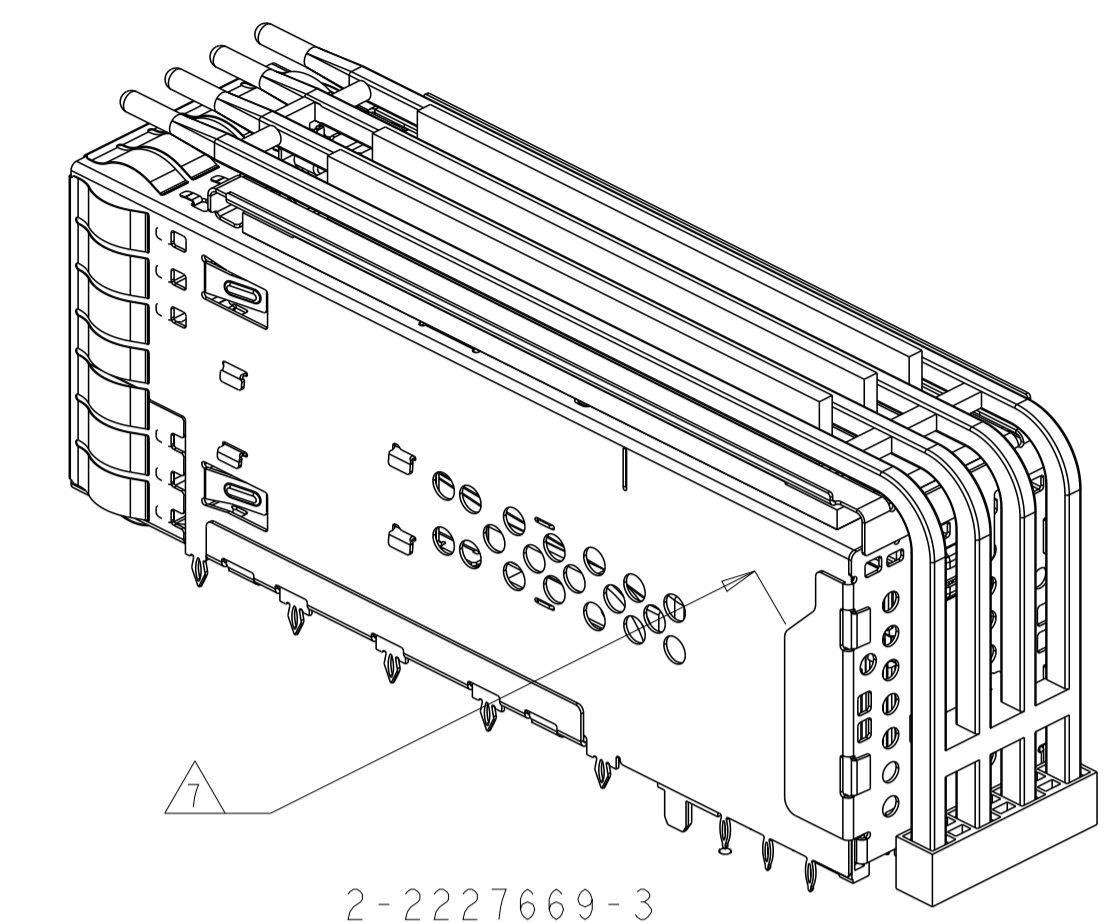
LOC	DIST	REVISIONS			
P	LTN	DESCRIPTION	DATE	DMN	APVD
-	-	SEE SHEET 1	-	-	-



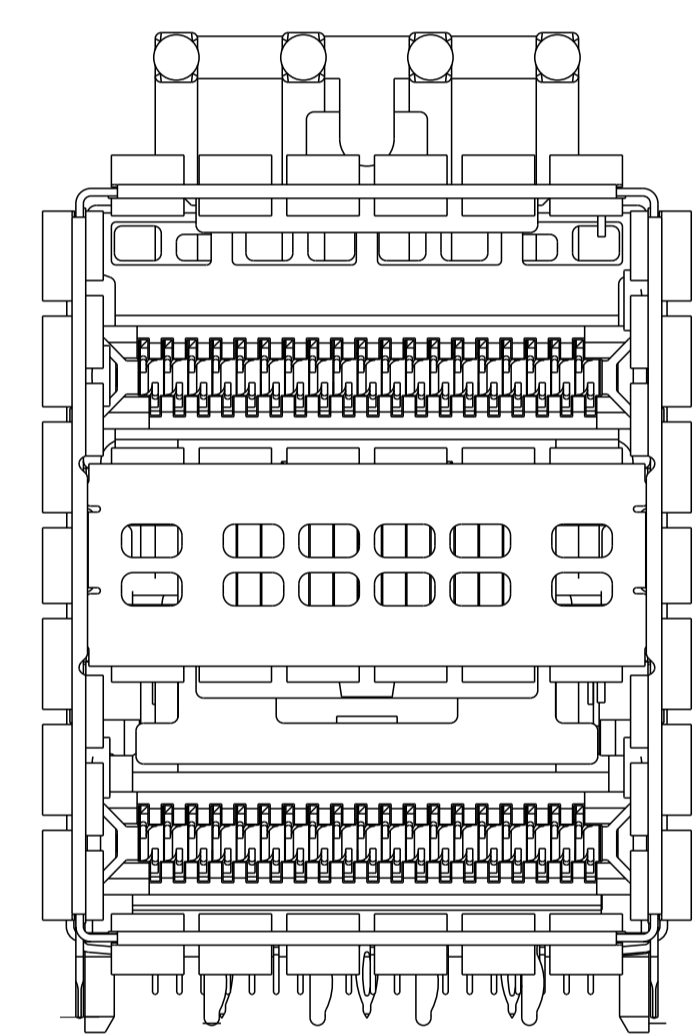
2-2227669-3  
 ALL ROUND INDICATORS, 8LP  
 SCALE 4:1



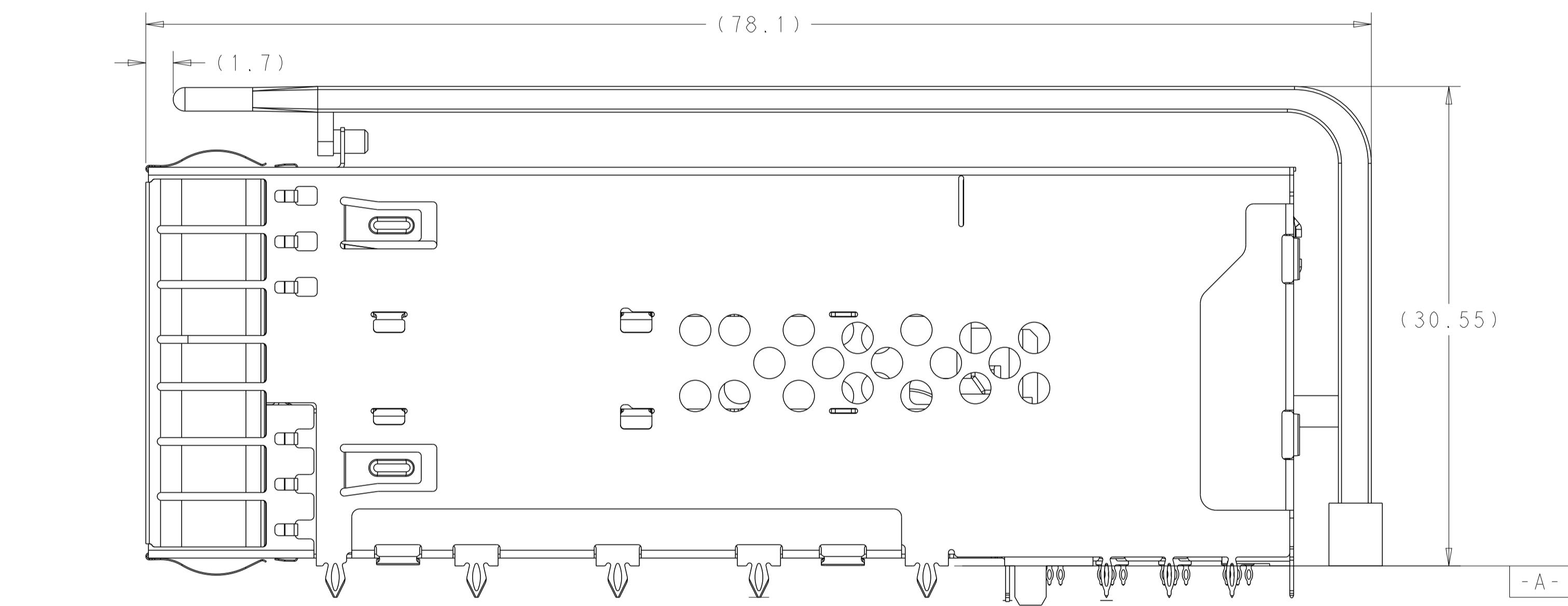
2-2227669-3



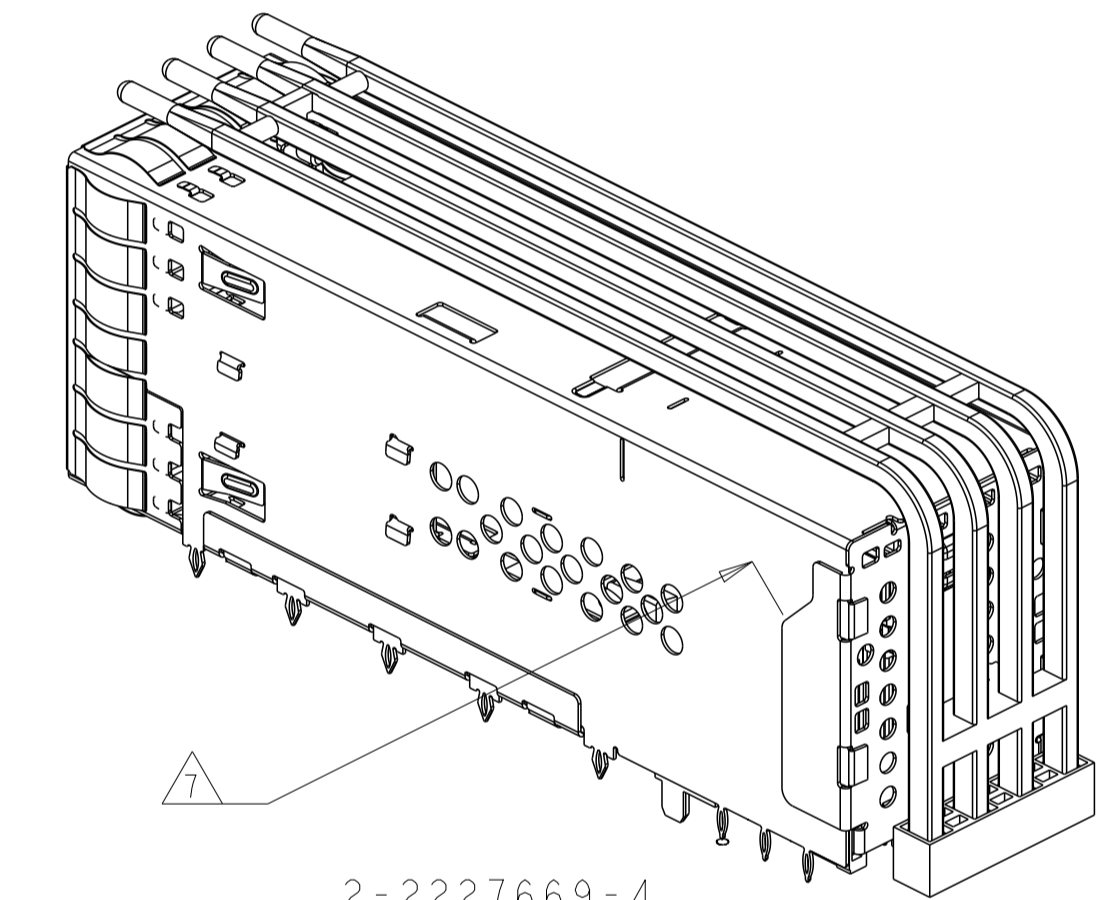
2-2227669-3  
 SCALE 2:1



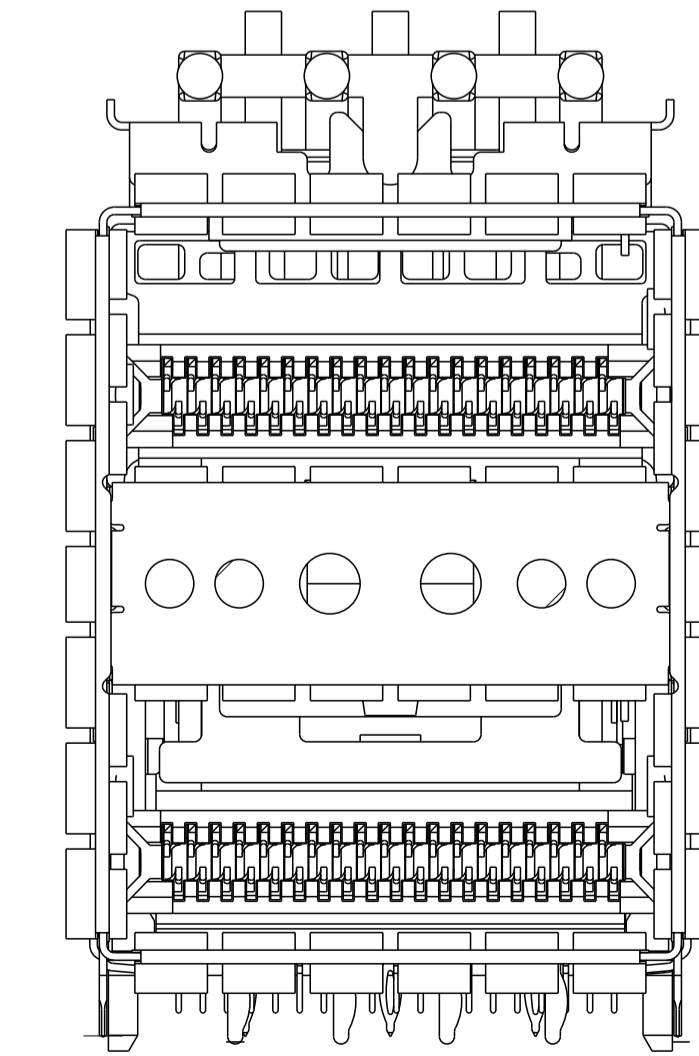
2-2227669-4  
 4 UPPER LP  
 SCALE 4:1



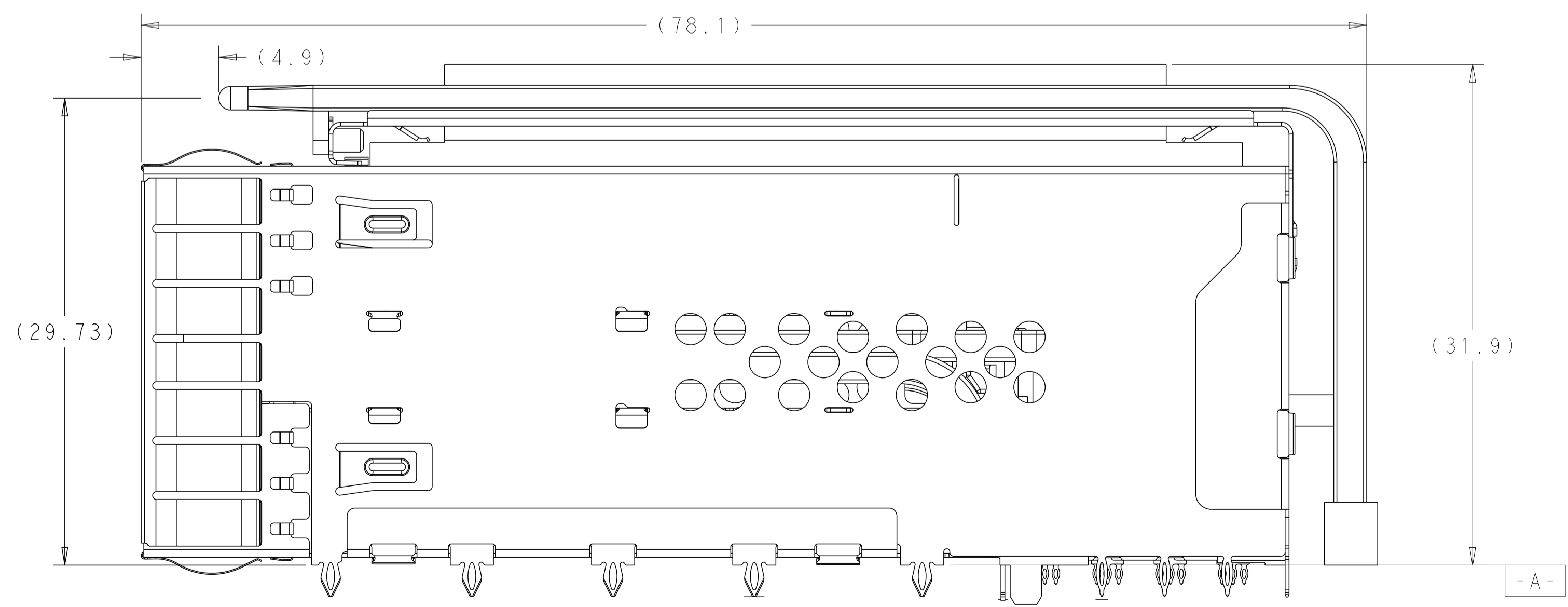
2-2227669-4



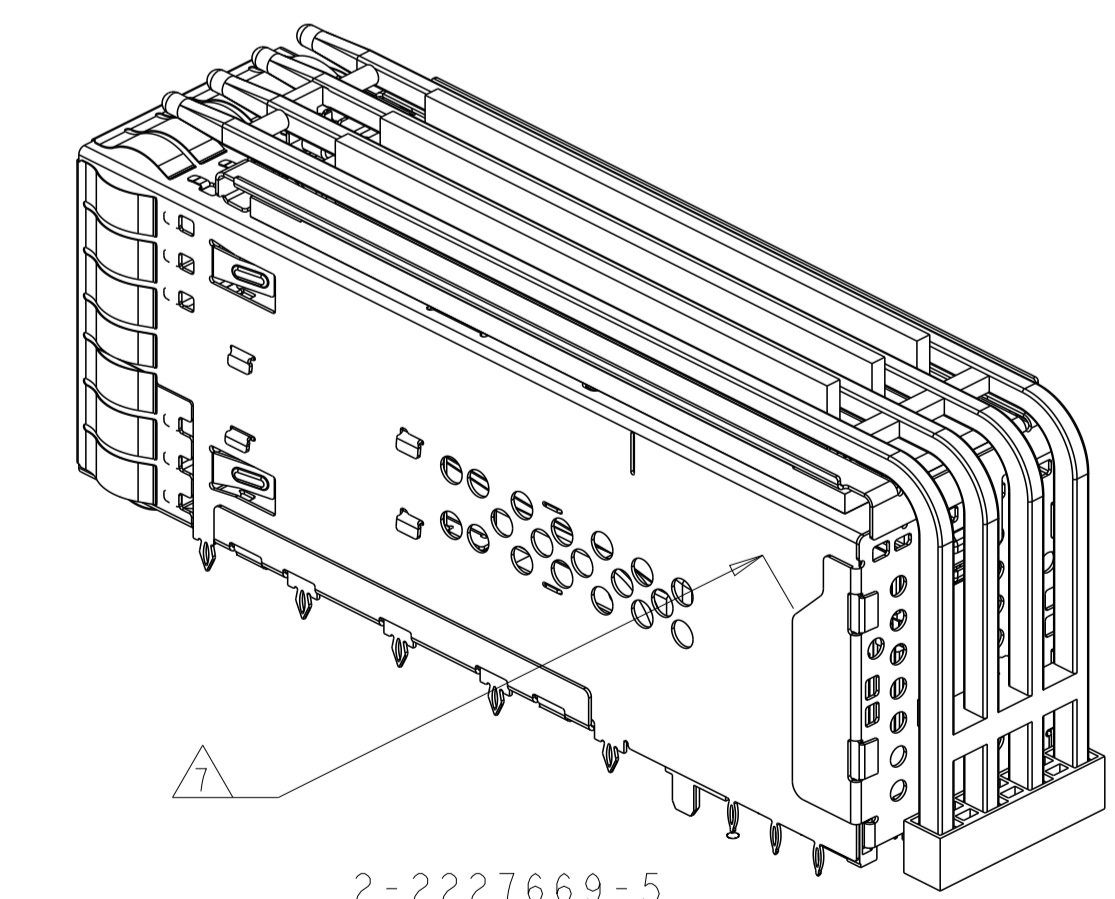
2-2227669-4  
 SCALE 2:1



2-2227669-5  
 ALL ROUND INDICATORS, 8LP  
 SCALE 4:1



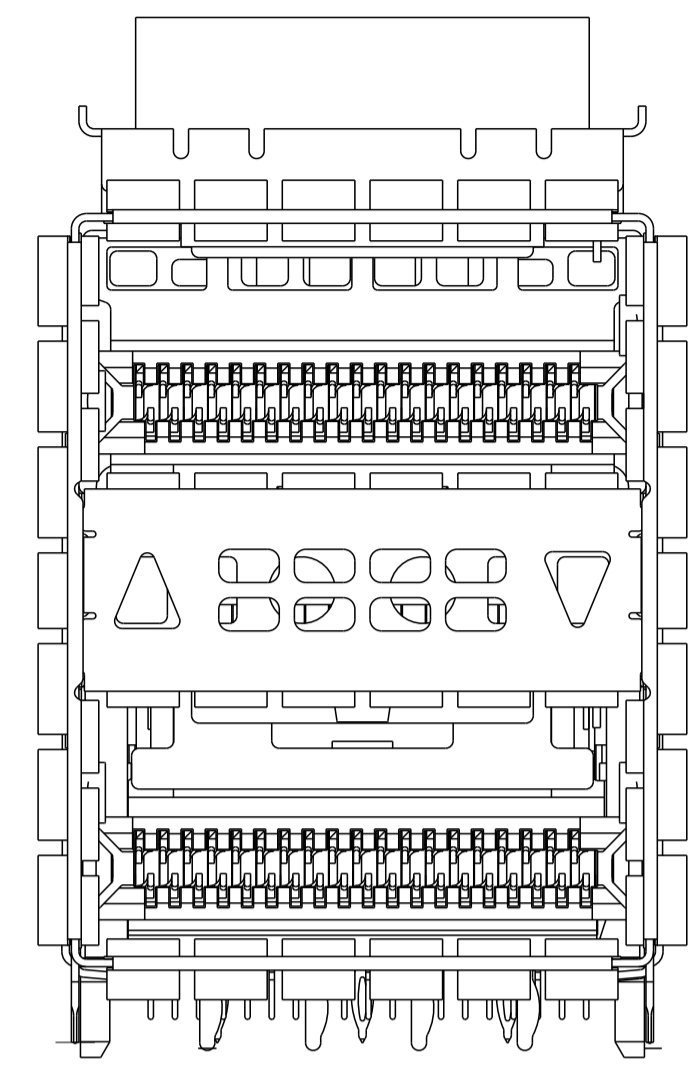
2-2227669-5



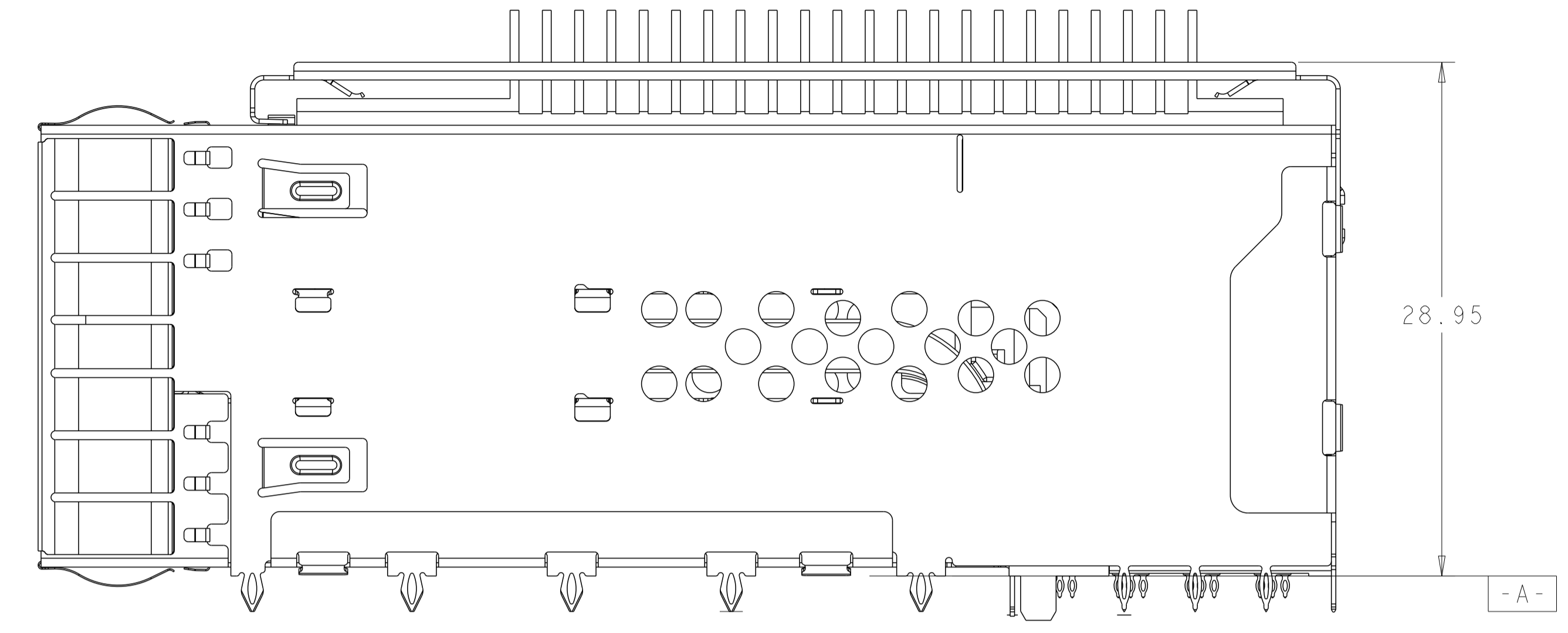
2-2227669-5  
 SCALE 2:1

THIS DRAWING IS A CONTROLLED DOCUMENT.		DMN: M. SHIRK 16JAN2013	TE Connectivity
DIMENSIONS:		CHK: D. SZCZESNY 16JAN2013	
mm	0 PLC ±	APVD: -	NAME: CAGE AND CONNECTOR ASSEMBLY, WITH EMI SPRING FINGERS, THRU BEZEL, 2X1, ZOSFP+ STACKED
	1 PLC ±0.25	PRODUCT SPEC: 108-60102	SIZE: CAGE CODE DRAWING NO: A100779
	2 PLC ±0.15	APPLICATION SPEC: 114-60015	RESTRICTED TO: -
	3 PLC ±	WEIGHT: -	SCALE: 1:1 SHEET 3 OF 8 REV: F1
	4 PLC ±	CUSTOMER DRAWING	
	ANGLES ±		
	FINISH: -		
MATERIAL: SEE NOTE 1			

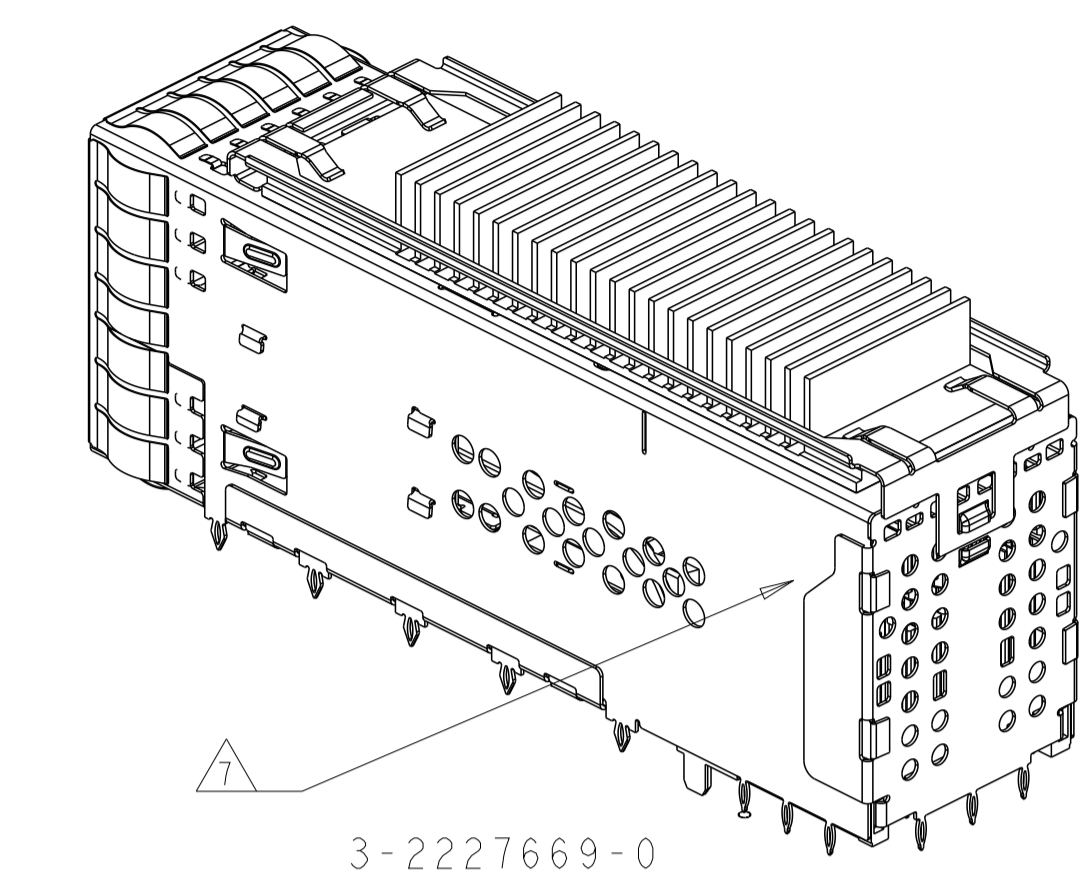
LOC	DIST	REVISIONS					
GP	00	P	LTN	DESCRIPTION	DATE	DWN	APVD
-	-	-	-	SEE SHEET 1	-	-	-



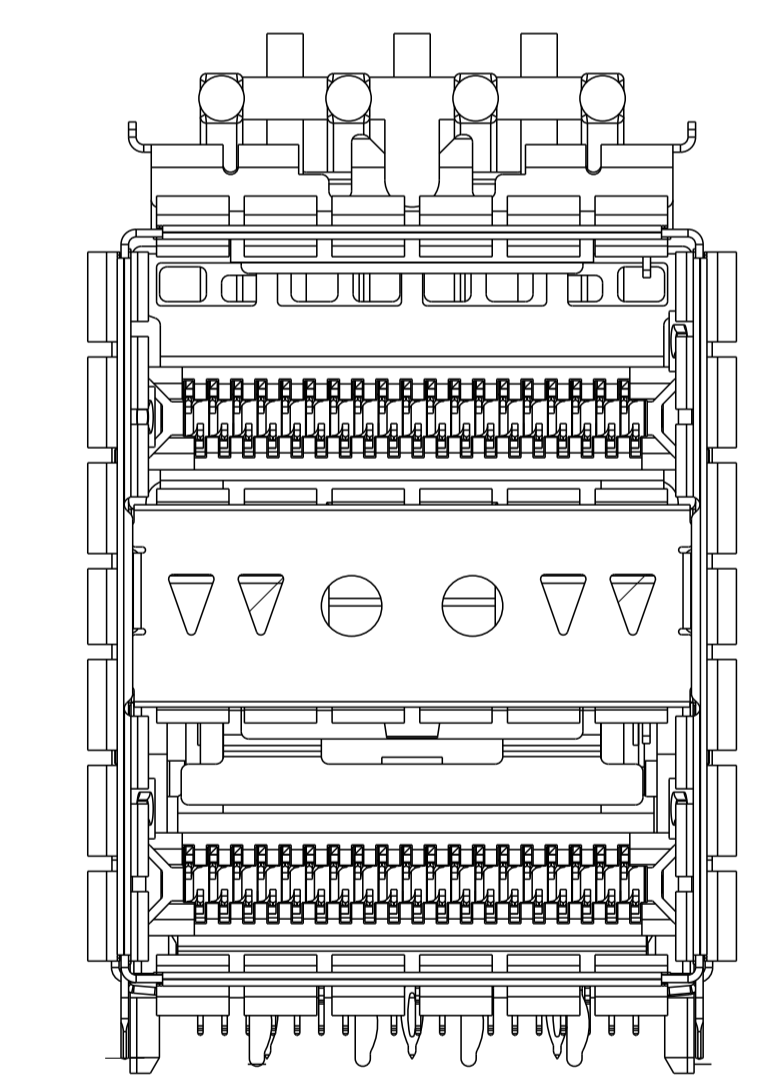
3-2227669-0  
LEFT INDICATOR UP  
SCALE 4:1



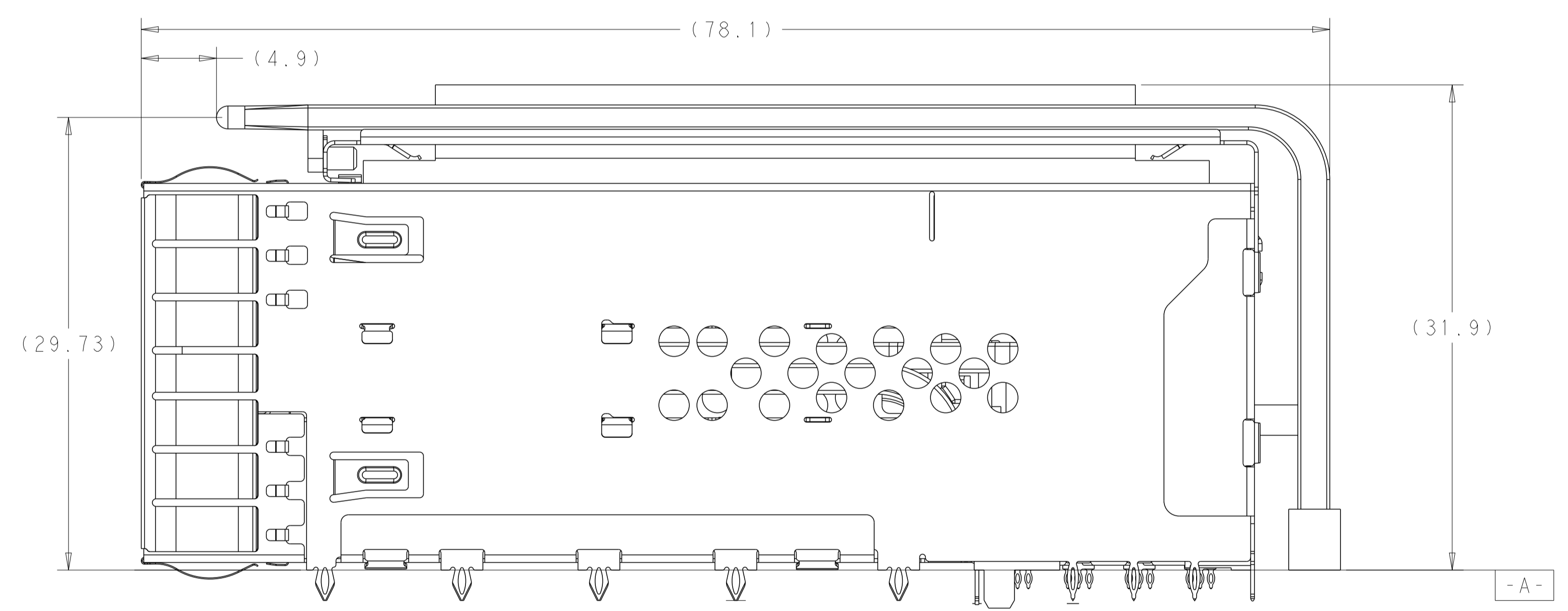
3-2227669-0



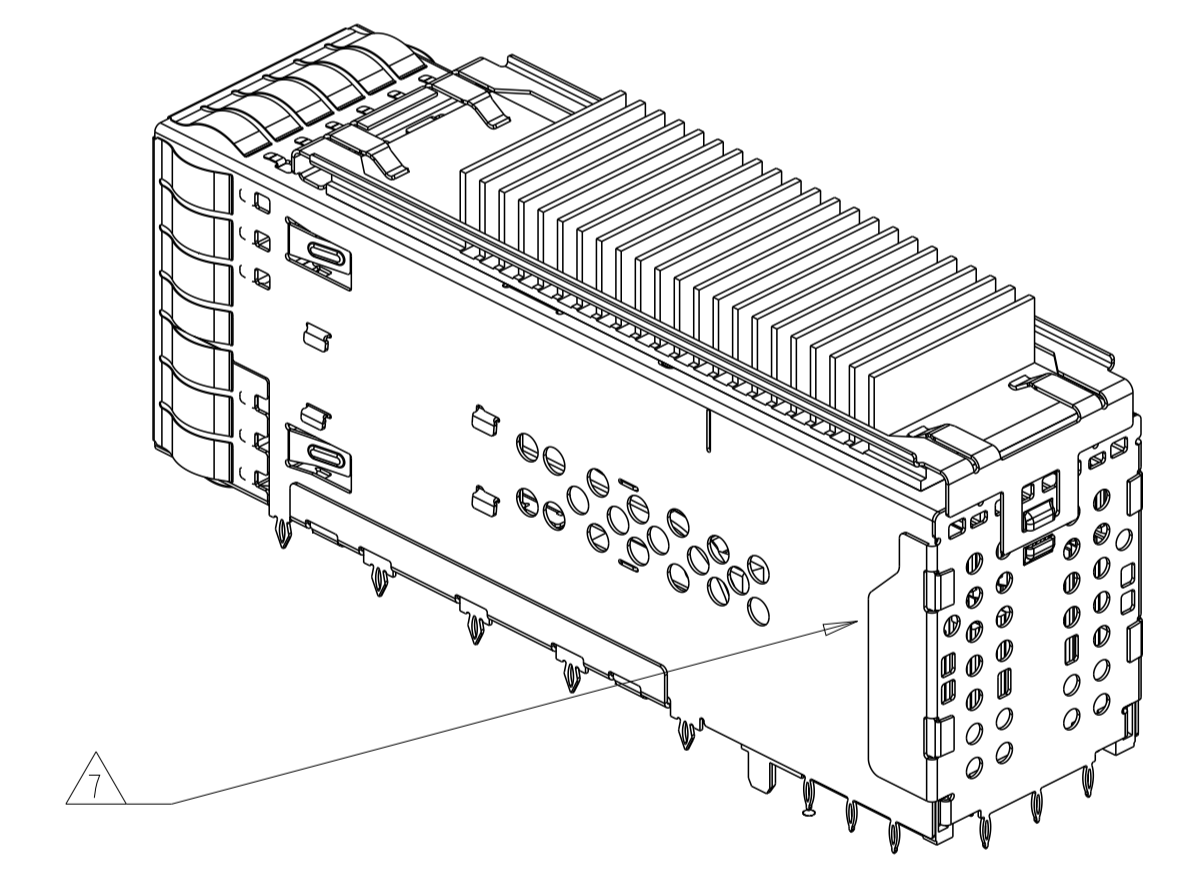
3-2227669-0  
SCALE 2:1



2-2227669-6  
ALL INDICATOR DOWN, 8LP



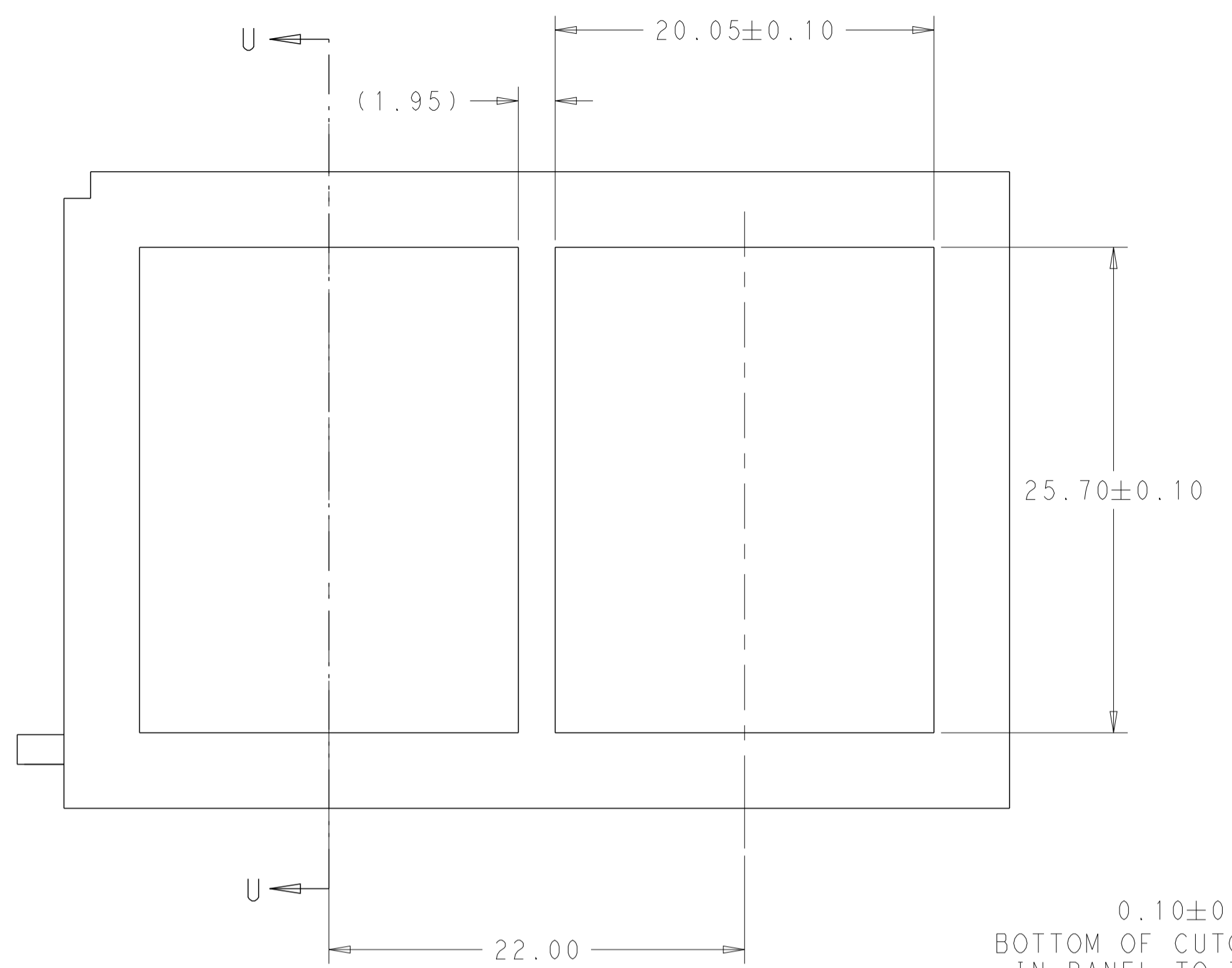
2-2227669-6



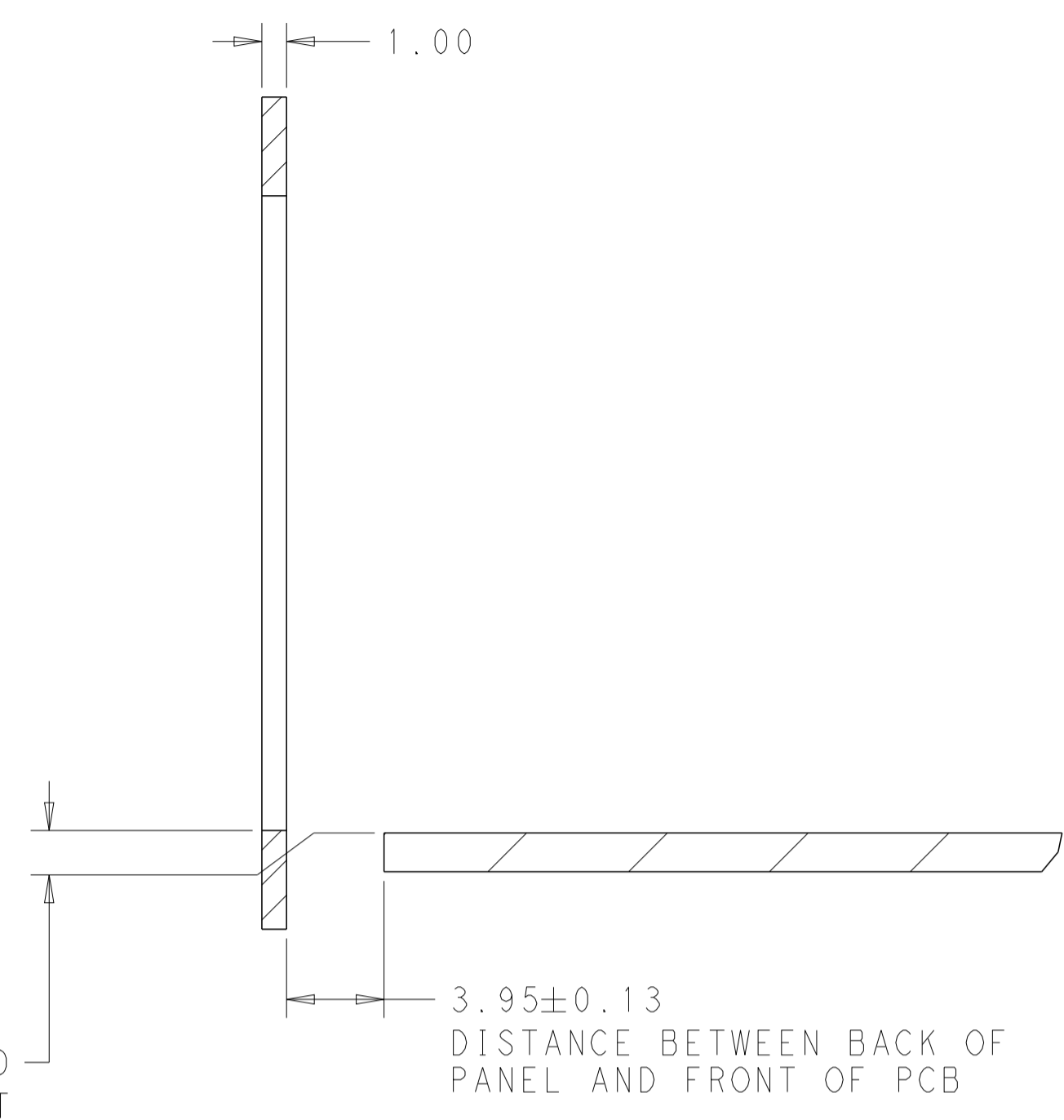
2-2227669-6  
SCALE 2:1

THIS DRAWING IS A CONTROLLED DOCUMENT.		DWN M. SHIRK 16 JAN 2013	TE Connectivity	
DIMENSIONS:		CHK D. SZCZESNY 16 JAN 2013	NAME	
mm	0 PLC ± 1 PLC ±0.25 2 PLC ±0.15 3 PLC ± 4 PLC ±	APVD	CAGE AND CONNECTOR ASSEMBLY, WITH EMI SPRING FINGERS, THRU BEZEL, 2X1, ZOSFP+ STACKED	
TOLERANCES UNLESS OTHERWISE SPECIFIED:		PRODUCT SPEC	RESTRICTED TO	
ANGLES		108-60102	SIZE CAGE CODE DRAWING NO	
FINISH		APPLICATION SPEC	A100779C=2227669	
MATERIAL		114-60015	SCALE 1:1 SHEET 4 OF 8 REV F1	
SEE NOTE 1		WEIGHT	CUSTOMER DRAWING	

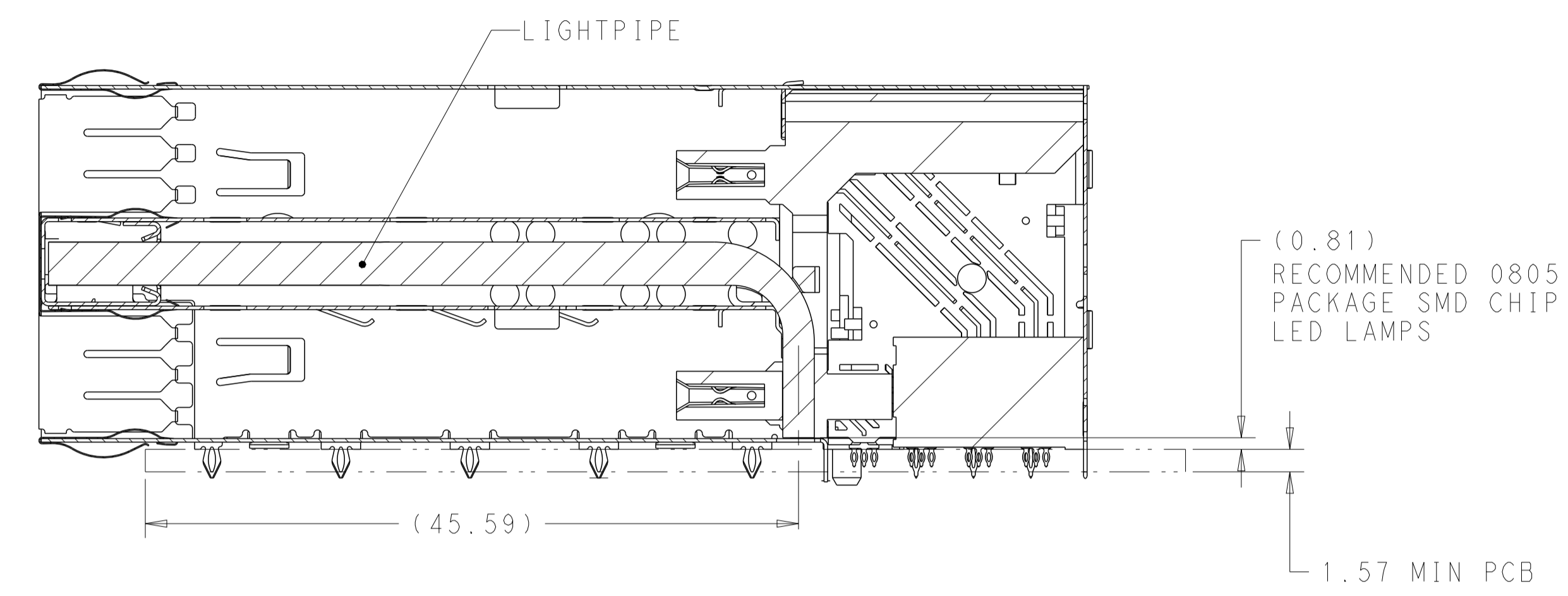
LOC	DIST	REVISIONS			
P	LTN	DESCRIPTION	DATE	DMN	APVD
-	-	SEE SHEET 1	-	-	-



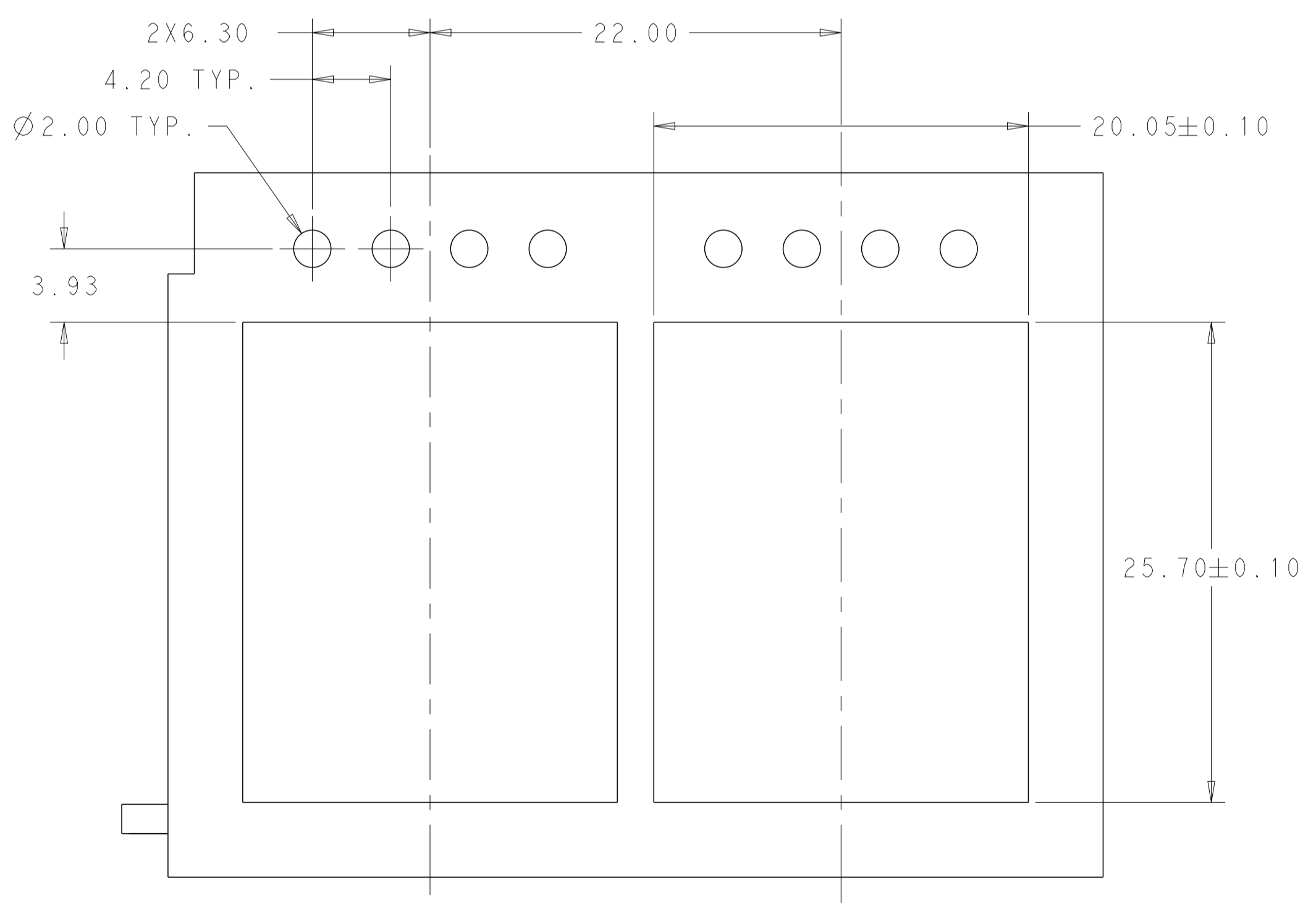
RECOMMENDED PANEL CUTOUT AND PC BOARD, PANEL POSITION



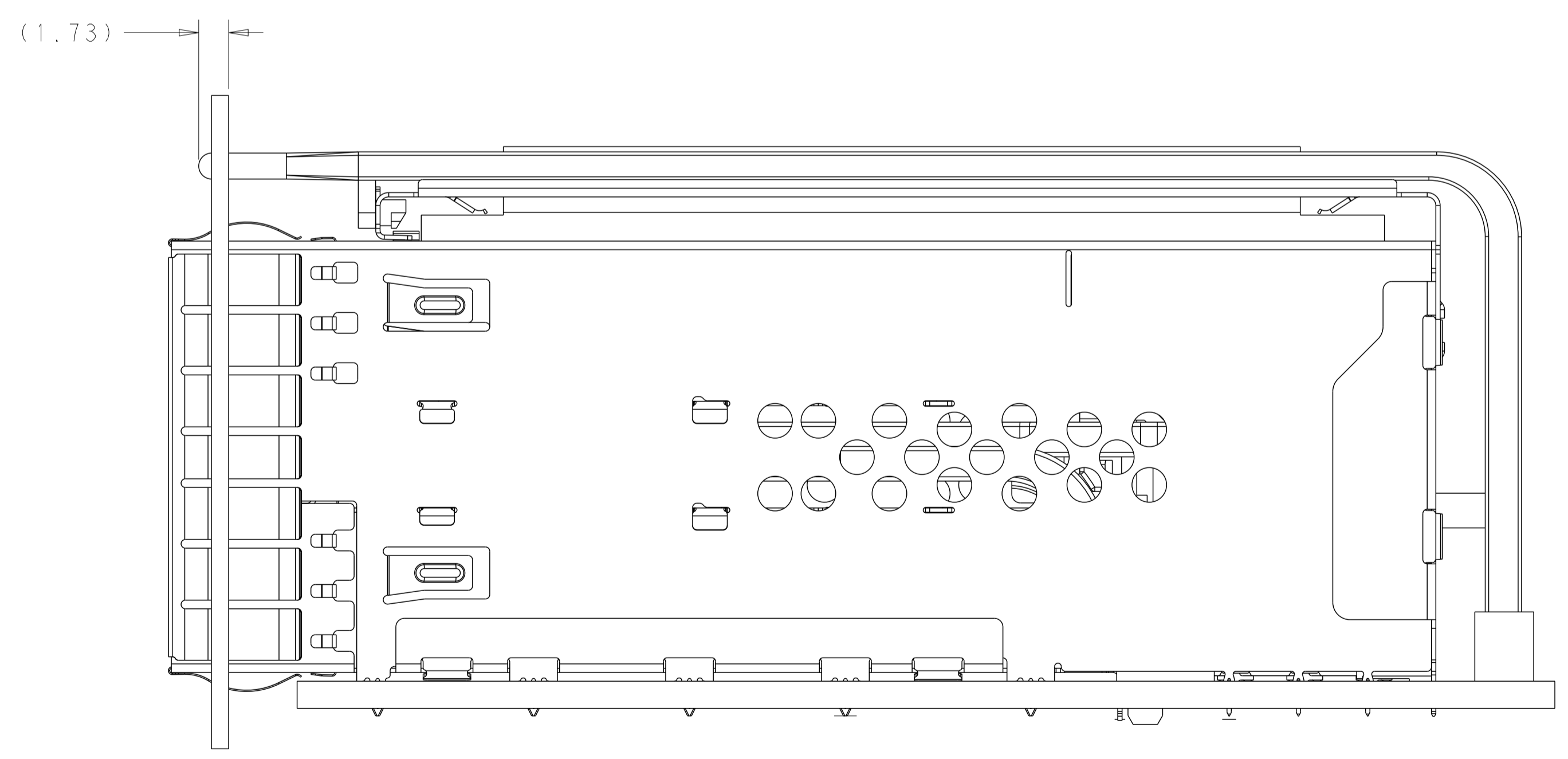
SECTION U-U



SECTION V-V  
SCALE 3:1

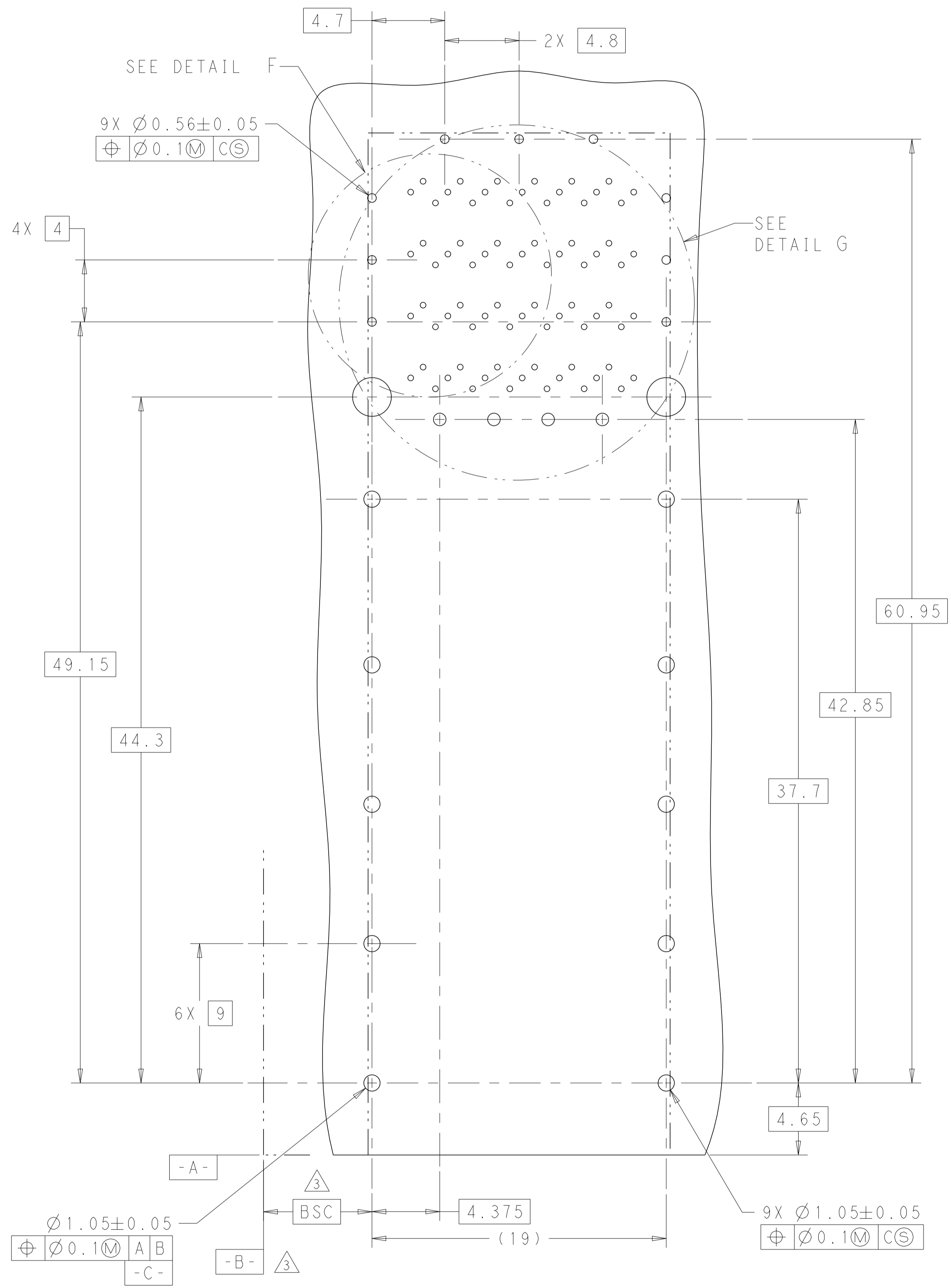


RECOMMENDED PANEL CUTOUT AND PC BOARD, PANEL POSITION FOR 2-2227669-1  
SCALE 4:1

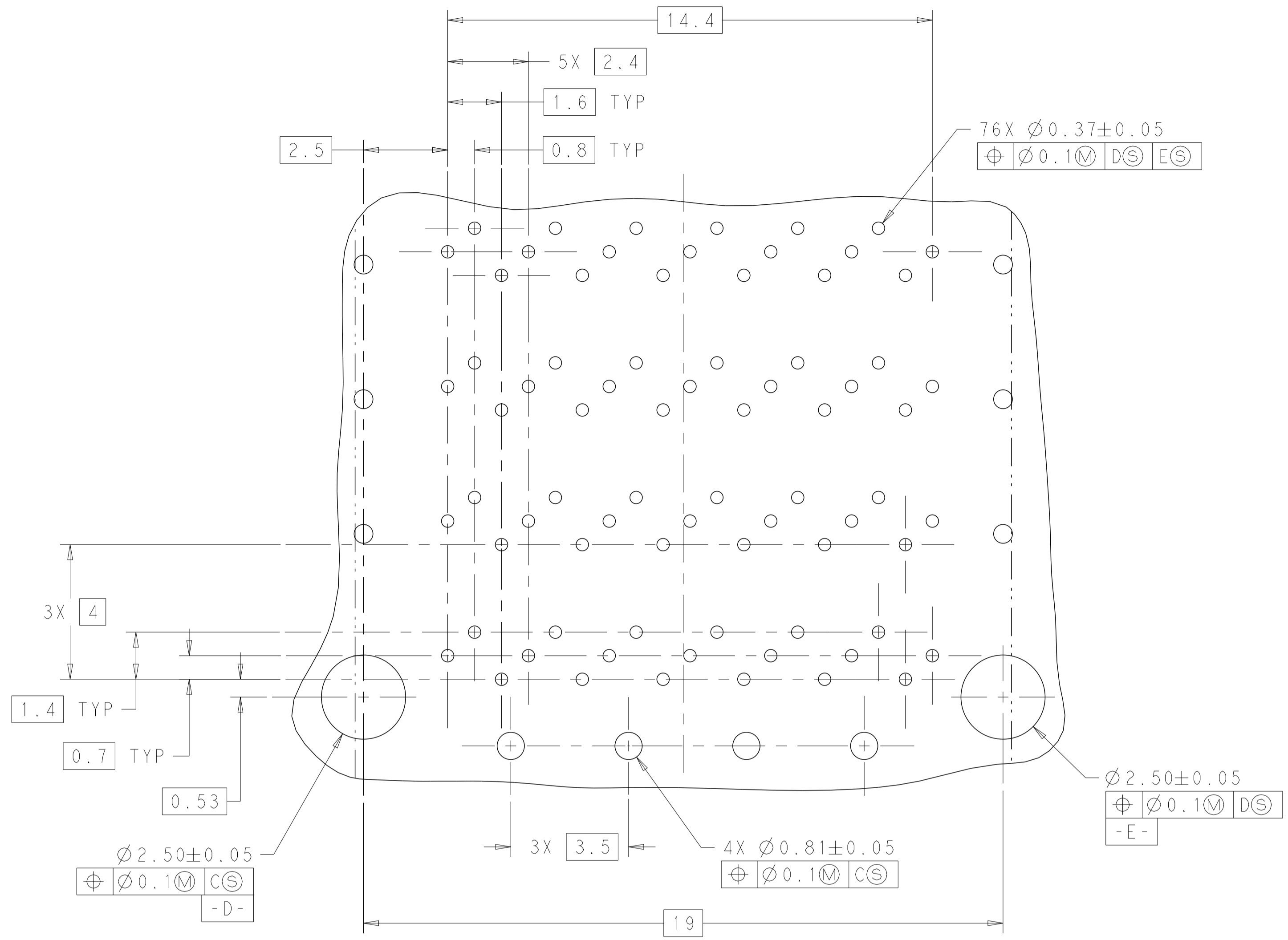


THIS DRAWING IS A CONTROLLED DOCUMENT.		DMN M. SHIRK 16JAN2013	NAME	TE Connectivity CAGE AND CONNECTOR ASSEMBLY, WITH EMI SPRING FINGERS, THRU BEZEL, 2X1, ZOSFP+ STACKED
DIMENSIONS: mm		CHK D. SZCZESNY 16JAN2013	PRODUCT SPEC	
TOLERANCES UNLESS OTHERWISE SPECIFIED:		APVD	APPLICATION SPEC	RESTRICTED TO
0 PLC	±	SIZE	CAGE CODE	DRAWING NO
1 PLC	±0.25	WEIGHT	A100779	C=2227669
2 PLC	±0.15	CUSTOMER DRAWING	SCALE	1:1
3 PLC	±	SCALE	SHEET	5 OF 8
4 PLC	±	SCALE	REV	F1
ANGLES	±			
FINISH	-			
SEE NOTE 1	-			

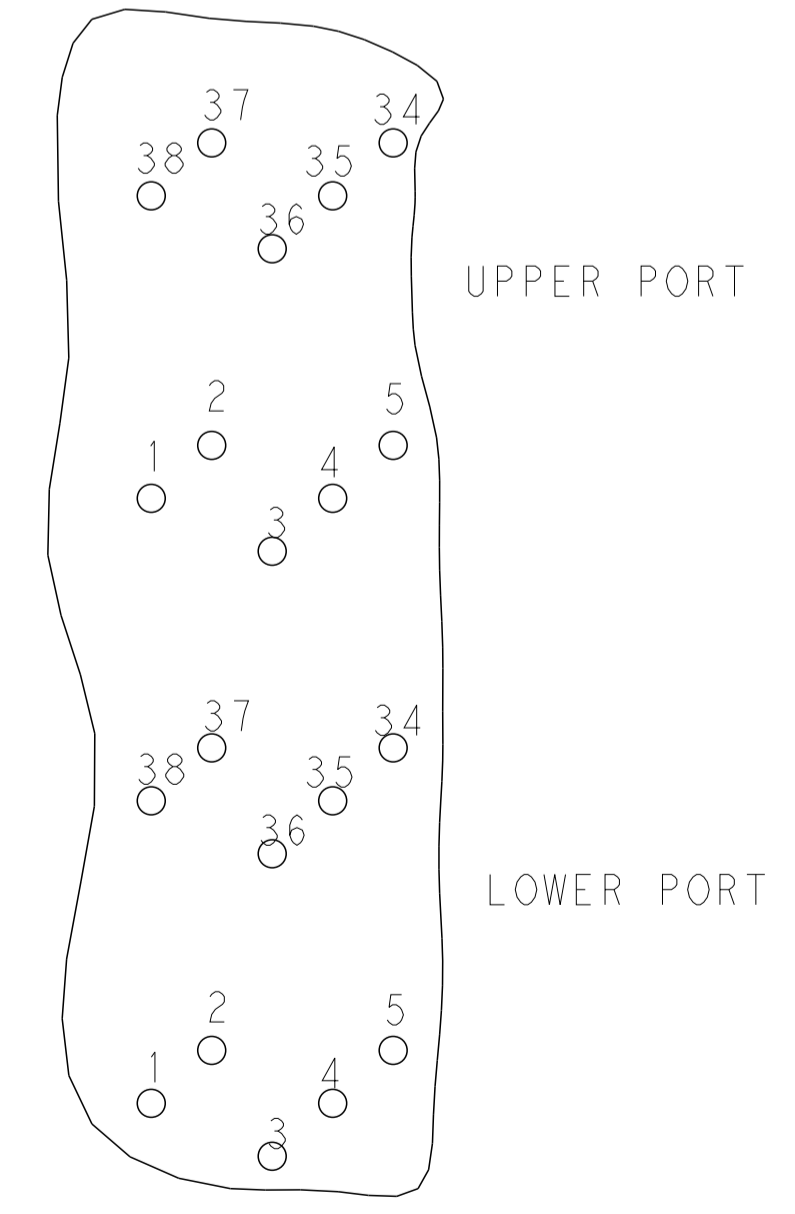
LOC	DIST	REVISIONS			
P	LYR	DESCRIPTION	DATE	OWN	APVD
-	-	SEE SHEET 1	-	-	-



RECOMMENDED PC BOARD LAYOUT  
 COMPONENT SIDE OF BOARD  
 SCALE 5:1  
 (PCB TOLERANCE:  $\pm 0.05$ )



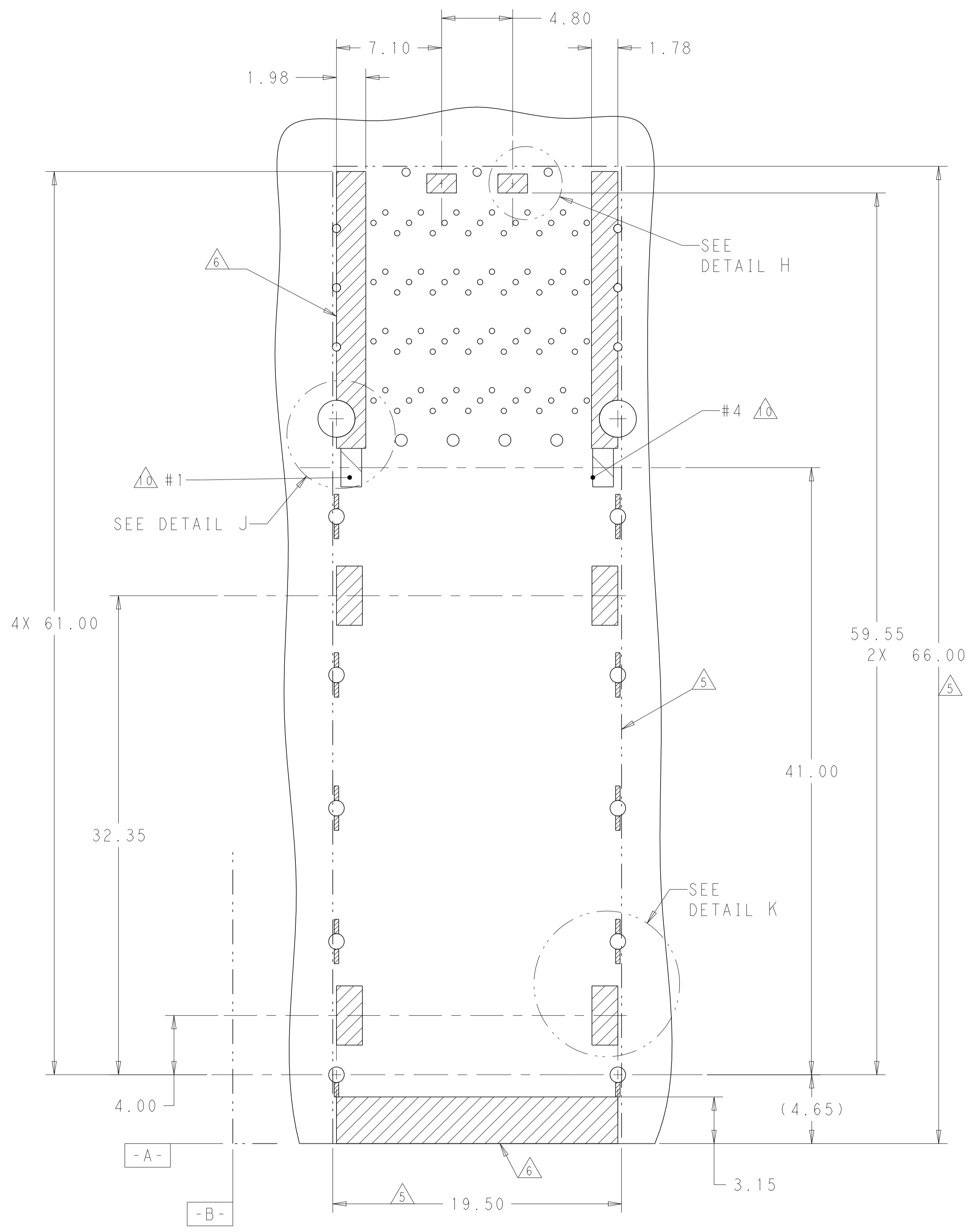
DETAIL G  
 SCALE 10:1



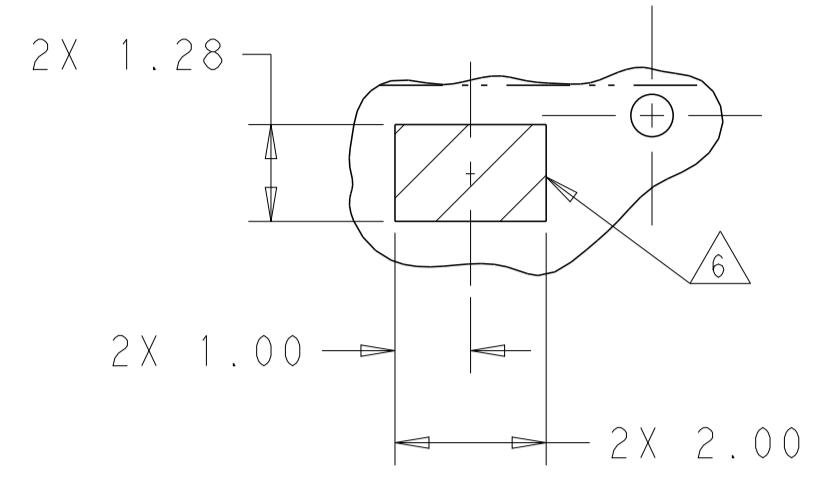
DETAIL F  
 SCALE 10:1  
 PIN ASSIGNMENTS

THIS DRAWING IS A CONTROLLED DOCUMENT.		OWN M. SHIRK 16JAN2013	TE Connectivity
DIMENSIONS: mm		CHK D. SZCZESNY 16JAN2013	
TOLERANCES UNLESS OTHERWISE SPECIFIED:		APVD	NAME
0 PLC $\pm 0.25$	1 PLC $\pm 0.15$	CAGE AND CONNECTOR ASSEMBLY, WITH EMI SPRING FINGERS, THRU BEZEL, 2X1, ZOSFP+ STACKED	
2 PLC $\pm 0.15$	3 PLC $\pm 0.15$	PRODUCT SPEC 108-60102	
4 PLC $\pm 0.15$	5 PLC $\pm 0.15$	APPLICATION SPEC 114-60015	
MATERIAL		SIZE CAGE CODE DRAWING NO	RESTRICTED TO
SEE NOTE 1		WEIGHT	A100779C=2227669
		CUSTOMER DRAWING	SCALE 1:1 SHEET 6 OF 8 REV F1

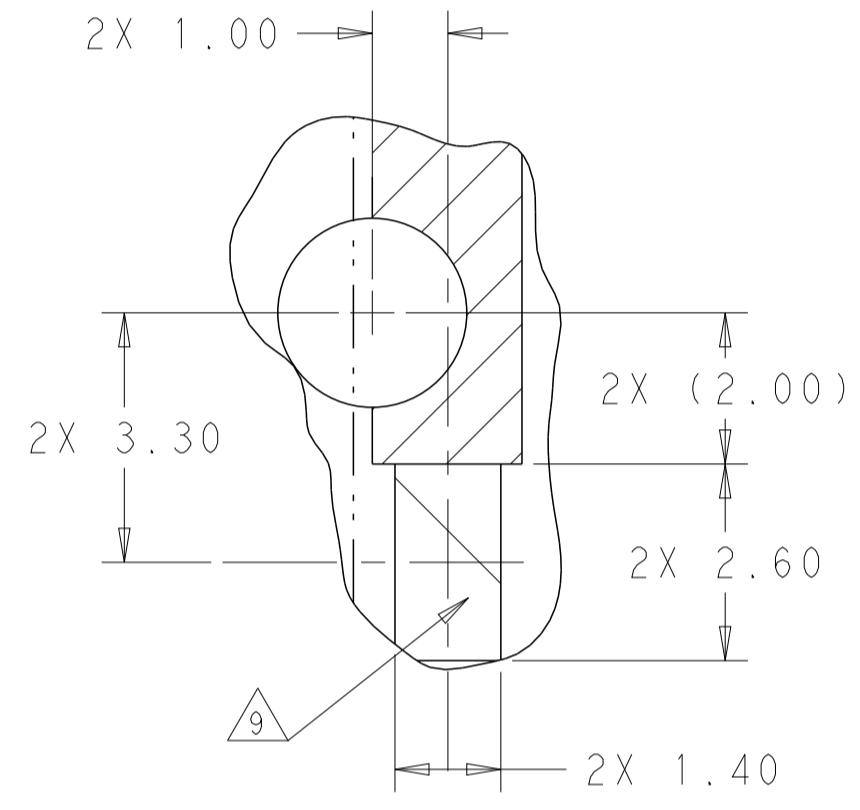
LOC	DIST	REVISIONS			
P	LTN	DESCRIPTION	DATE	DMN	APVD
GP	00	SEE SHEET 1	-	-	-



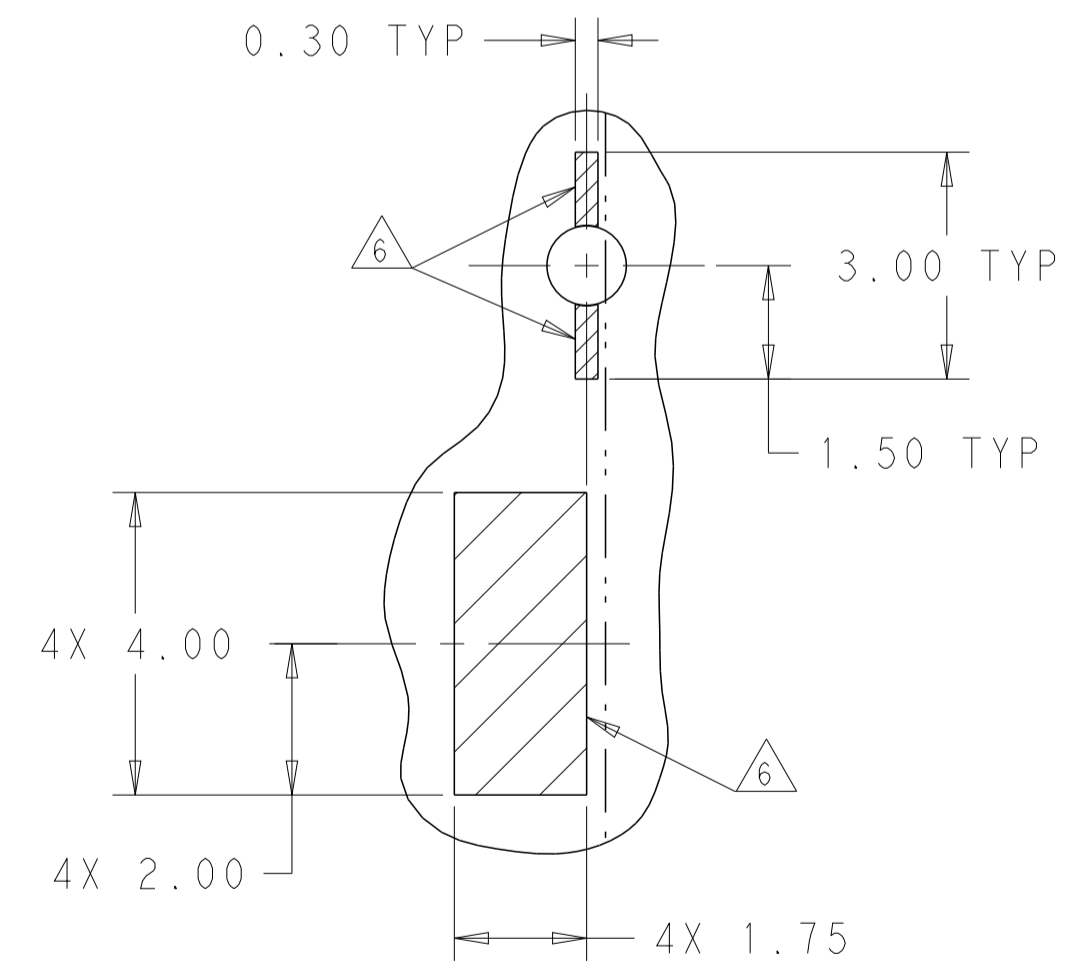
KEEPOUT AREAS FOR 2LP APPLICATION  
 COMPONENT SIDE OF BOARD  
 SCALE 5:1



DETAIL H  
 SCALE 10:1



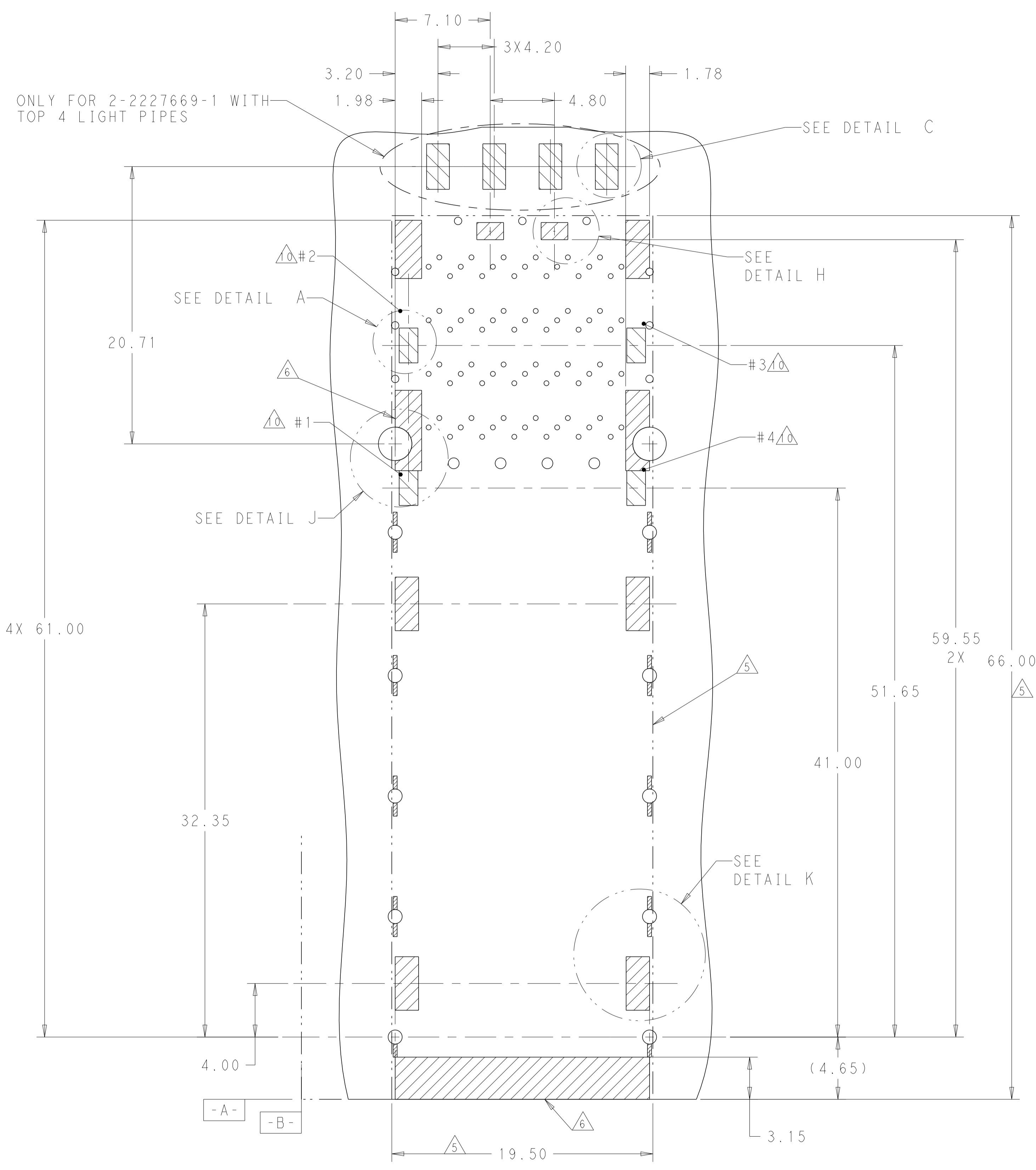
DETAIL J  
 LED PADS  
 SCALE 10:1



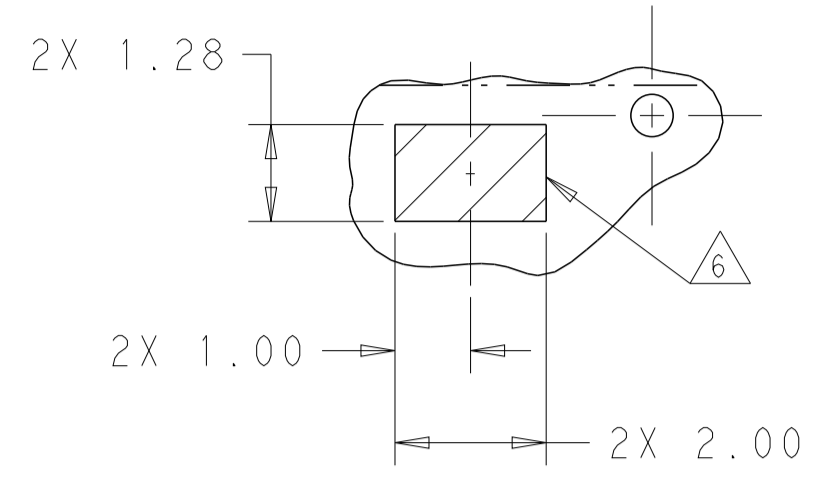
DETAIL K  
 SCALE 10:1

THIS DRAWING IS A CONTROLLED DOCUMENT.		DMN M. SHIRK 16JAN2013	TE Connectivity
DIMENSIONS: mm		CHK D. SZCZESNY 16JAN2013	
TOLERANCES UNLESS OTHERWISE SPECIFIED:		APVD	NAME
0 PLC ±0.25	1 PLC ±0.15	CAGE AND CONNECTOR ASSEMBLY, WITH EMI SPRING FINGERS, THRU BEZEL, 2X1, ZQSP+ STACKED	
2 PLC ±	3 PLC ±	PRODUCT SPEC 108-60102	
4 PLC ±	ANGLES ±	APPLICATION SPEC 114-60015	
MATERIAL SEE NOTE 1		WEIGHT	SIZE CAGE CODE DRAWING NO. RESTRICTED TO
		CUSTOMER DRAWING	A100779C=2227669
		SCALE 1:1	SHEET 7 OF 8 REV F1

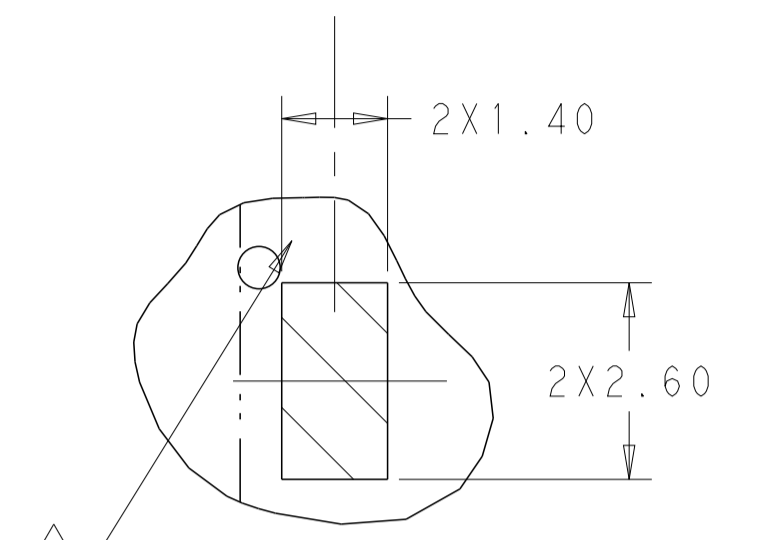
LOC	DIST	REVISIONS			
P	LYR	DESCRIPTION	DATE	OWN	APVD
-	-	SEE SHEET 1	-	-	-



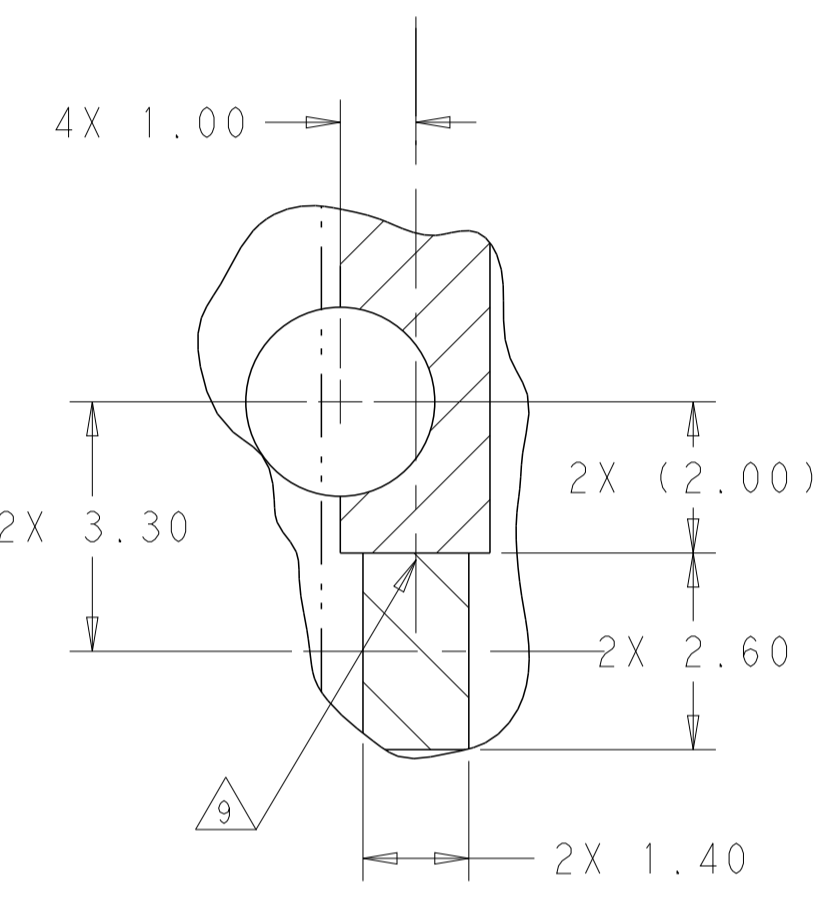
KEEPOUT AREAS FOR 4 LP APPLICATON  
 COMPONENT SIDE OF BOARD  
 SCALE 5:1



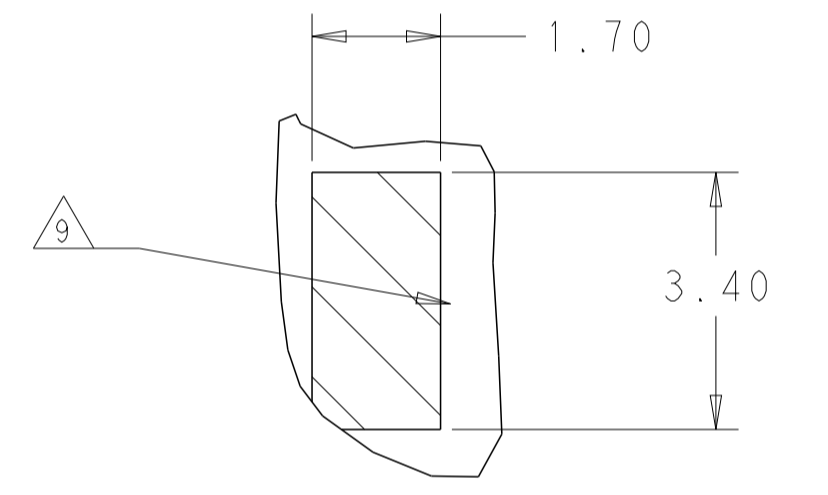
DETAIL H  
 SCALE 10:1



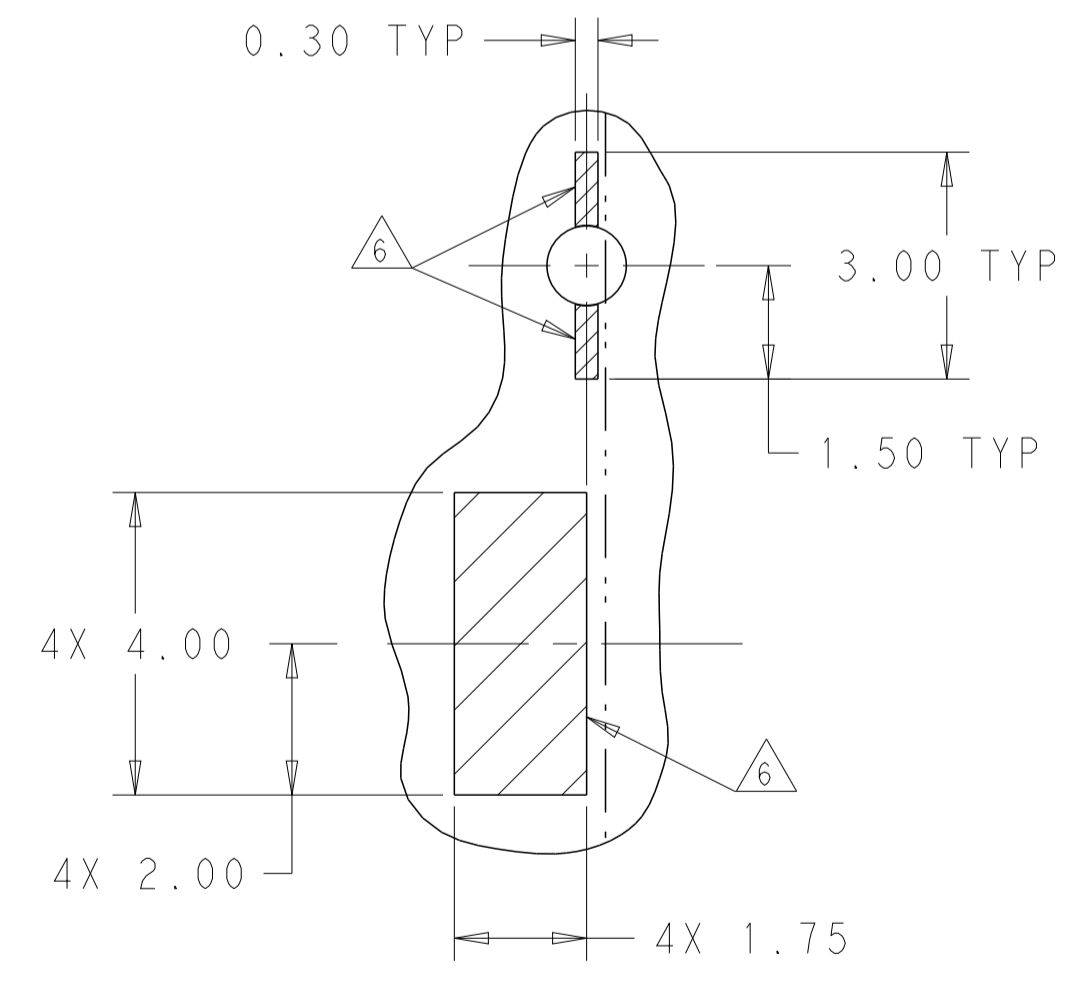
DETAIL A  
 SCALE 10:1



DETAIL J  
 LED PADS  
 SCALE 10:1



DETAIL C  
 SCALE 10:1



DETAIL K  
 SCALE 10:1

THIS DRAWING IS A CONTROLLED DOCUMENT.		OWN: M. SHIRK 16JAN2013	TE Connectivity
DIMENSIONS: mm		CHK: D. SZCZESNY 16JAN2013	
TOLERANCES UNLESS OTHERWISE SPECIFIED:		APVD: -	NAME: CAGE AND CONNECTOR ASSEMBLY, WITH EMI SPRING FINGERS, THRU BEZEL, 2X1, ZQSP+ STACKED
0 PLC ±0.25	1 PLC ±0.15	PRODUCT SPEC: 108-60102	RESTRICTED TO: -
2 PLC ±0.15	3 PLC ±0.15	APPLICATION SPEC: 114-60015	SIZE: A1
4 PLC ±0.15	ANGLES ±0.15	WEIGHT: -	CAGE CODE: 2227669
MATERIAL: SEE NOTE 1		FINISH: -	CUSTOMER DRAWING
		SCALE: 1:1	SHEET 8 OF 8 REV: F1