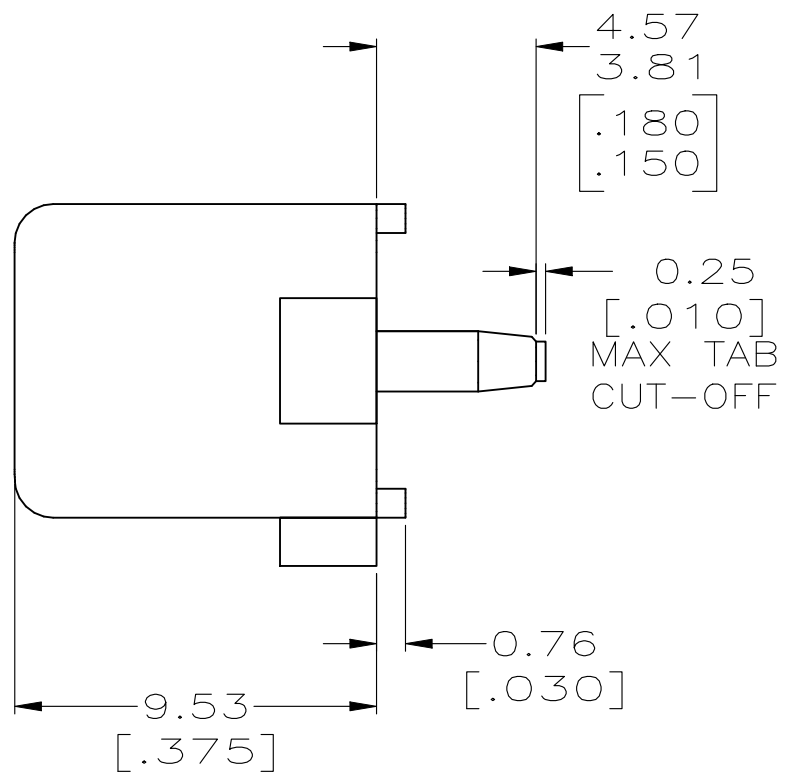
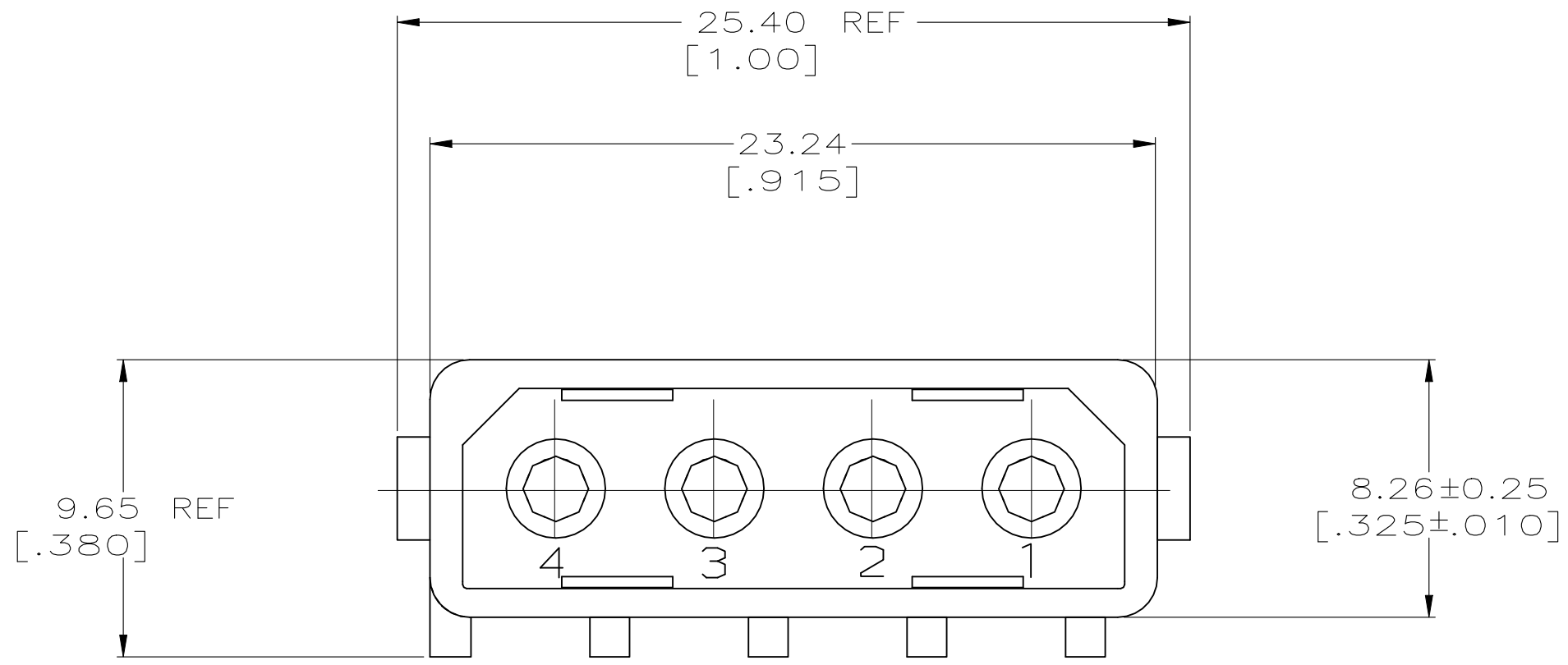
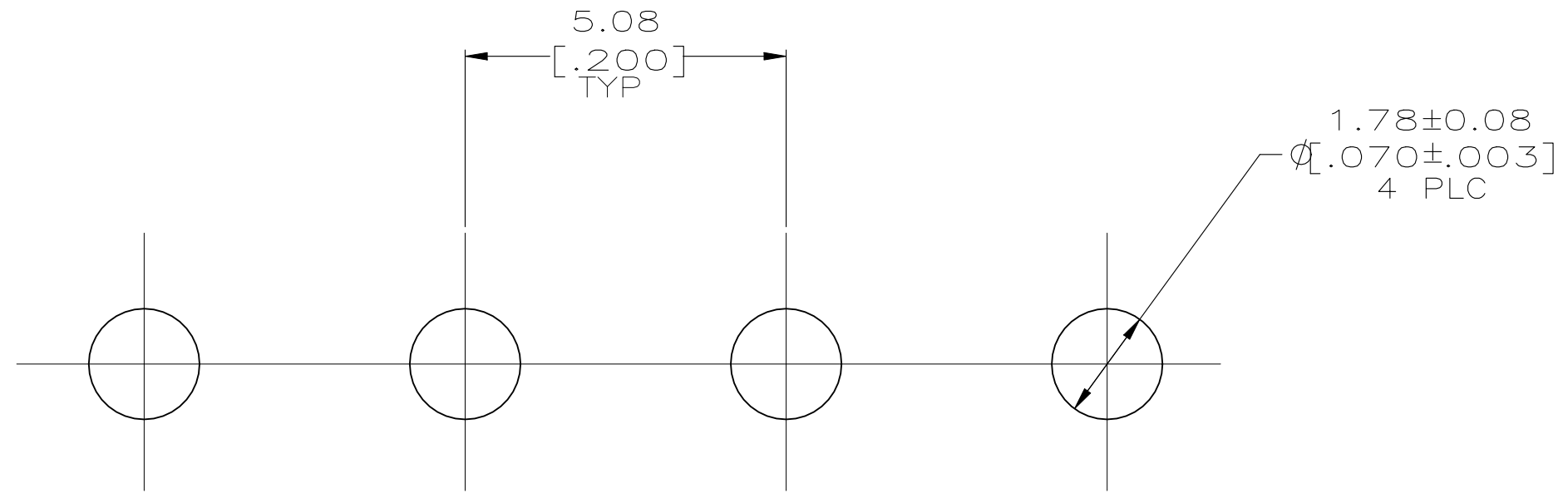


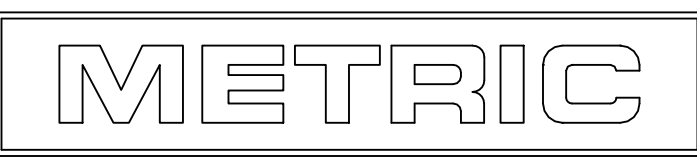
LOC	DIST	REVISIONS			
P	LTR	DESCRIPTION	DATE	DWN	APVD
CM	53	A1	REVISED PER ECR-21-117185	22OCT2021	PJ VS



- PARTS MUST COMPLY WITH AMP SOLDERABILITY SPECIFICATION 109-11-3.
- DIMENSIONS IN BRACKETS ARE IN INCHES.
- DIMENSION SHOWN REPRESENT PRODUCT IN DRY CONDITION. ADDITIONAL 2% GROWTH DUE TO END USE LOCATION MOISTURE ABSORPTION MAY OCCUR AND SHOULD BE ACCOUNTED FOR.



RECOMMENDED P.C. BOARD LAYOUT
 FOR 1.57 [.062] THICK P.C. BOARD
 SCALE 10:1



PH BRZ,PRE-TIN	NYLON,UL94V-0,WHITE	794236-1
PIN CONTACT MATERIAL & FINISH	HOUSING MATERIAL & COLOR	PART NUMBER

<small>THIS DRAWING IS A CONTROLLED DOCUMENT FOR AMP INCORPORATED. IT IS SUBJECT TO CHANGE AND THE CONTROLLING ENGINEERING ORGANIZATION SHOULD BE CONTACTED FOR THE LATEST REVISION.</small>		DWN B. LEWIS 2-04-97	AMP Incorporated Harrisburg, PA 17105-3608
DIMENSIONS:		CHK R. SWING 2-04-97	
mm [INCHES]		APVD C. MARTIN 2-04-97	
		PRODUCT SPEC	
TOLERANCES UNLESS OTHERWISE SPECIFIED: 0 PLC ± 1 PLC ± 2 PLC ±0.13[.005] 3 PLC ± 4 PLC ± ANGLES ±0° 30' FINISH		APPLICATION SPEC	NAME
MATERIAL		WEIGHT	SIZE
SEE TABLE	SEE TABLE	-	A2
CUSTOMER DRAWING		SCALE	CAGE CODE
		5:1	00779
		SHEET	DRAWING NO
		1 OF 1	C=794236
		REV	A1