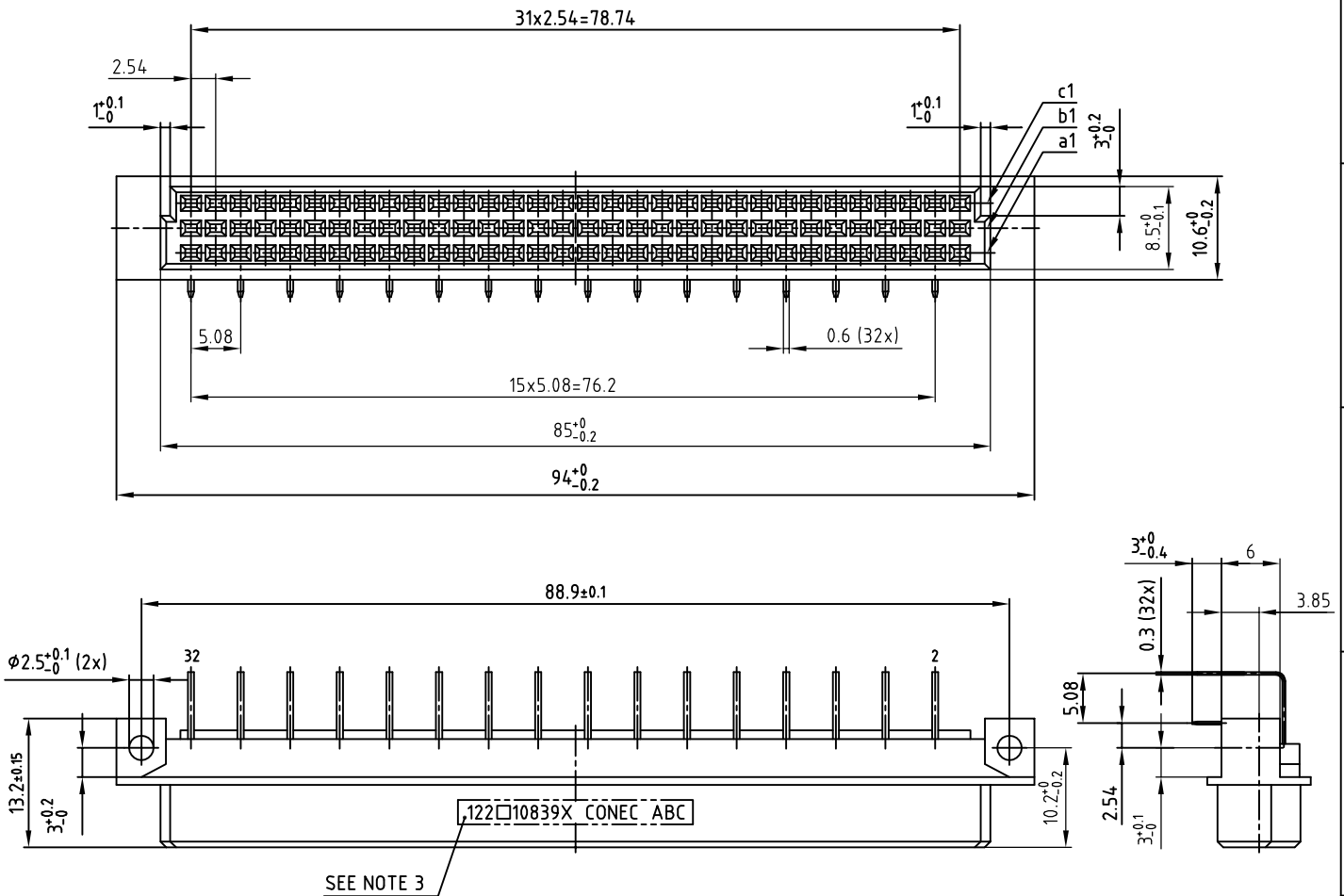


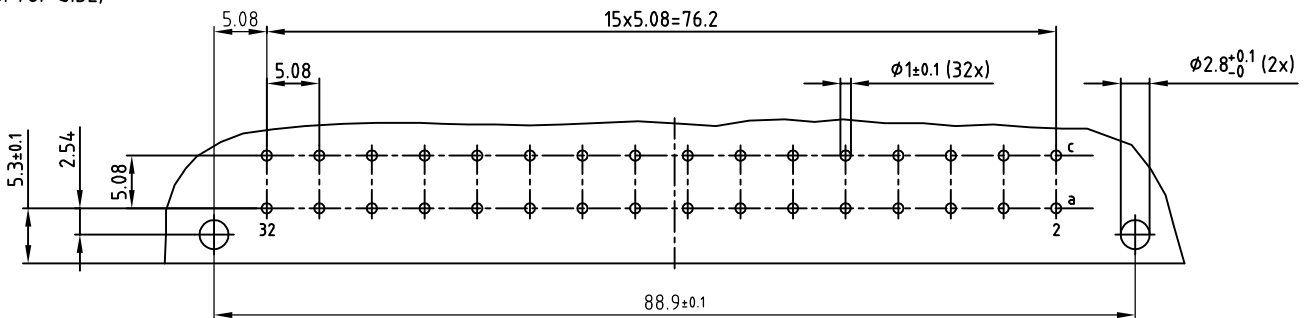
used for: DIN EN 60603-2 TYPE "R"



NOTES:

1. INSULATOR: PBT UL 94 V-0; GREY
2. CONTACTS: COPPER ALLOY; PLATING (SEE PART-NO.):
 - PLEASE ADD A FOR GOLD over NICKEL; 50 MATING CYCLES
 - PLEASE ADD B FOR GOLD over NICKEL; 400 MATING CYCLES
 - PLEASE ADD C FOR GOLD over NICKEL; 500 MATING CYCLES
3. CONNECTOR IS PART MARKED: 122□10839X CONEC ABC (see note 2)

P.C.B. HOLE DRILLINGS
(P.C.B. TOP SIDE)



RoHS compliant

THIS DRAWING MAY NOT BE COPIED OR REPRODUCED IN ANY WAY, AND MAY NOT BE PASSED ON TO A THIRD PARTY, WITHOUT WRITTEN PERMISSION. OWNERSHIP AND COPYRIGHT OF CONEC GmbH DO NOT ALTER CAD DRAWING BY HAND

rev.	description	date	name
a	Original		

tolerance	dim. in mm

2015	date	name
drawn	15.01.	Lehmenkühler
appd.	16.01.	Schmidt
norm	DIN EN 60603-2	
d-old		

scale:	2:1
material:	SEE NOTES
title:	FEMALE CONNECTOR TYPE "R" 32pos. SOLDER PIN ANGLED
dwg no:	12K1A849
part no:	122□10839X (see note 2)

DIN-A
3
sh:1/1

