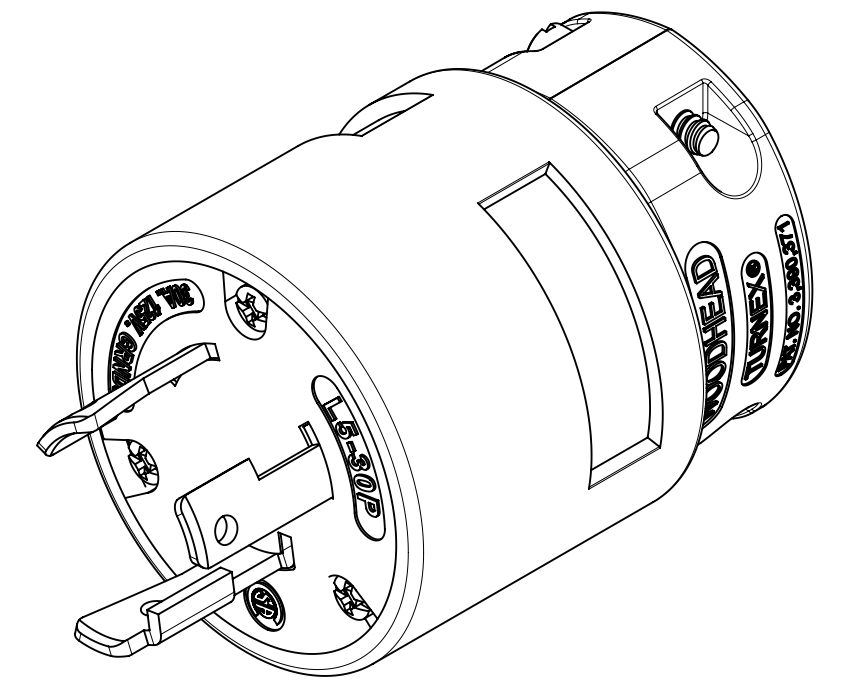
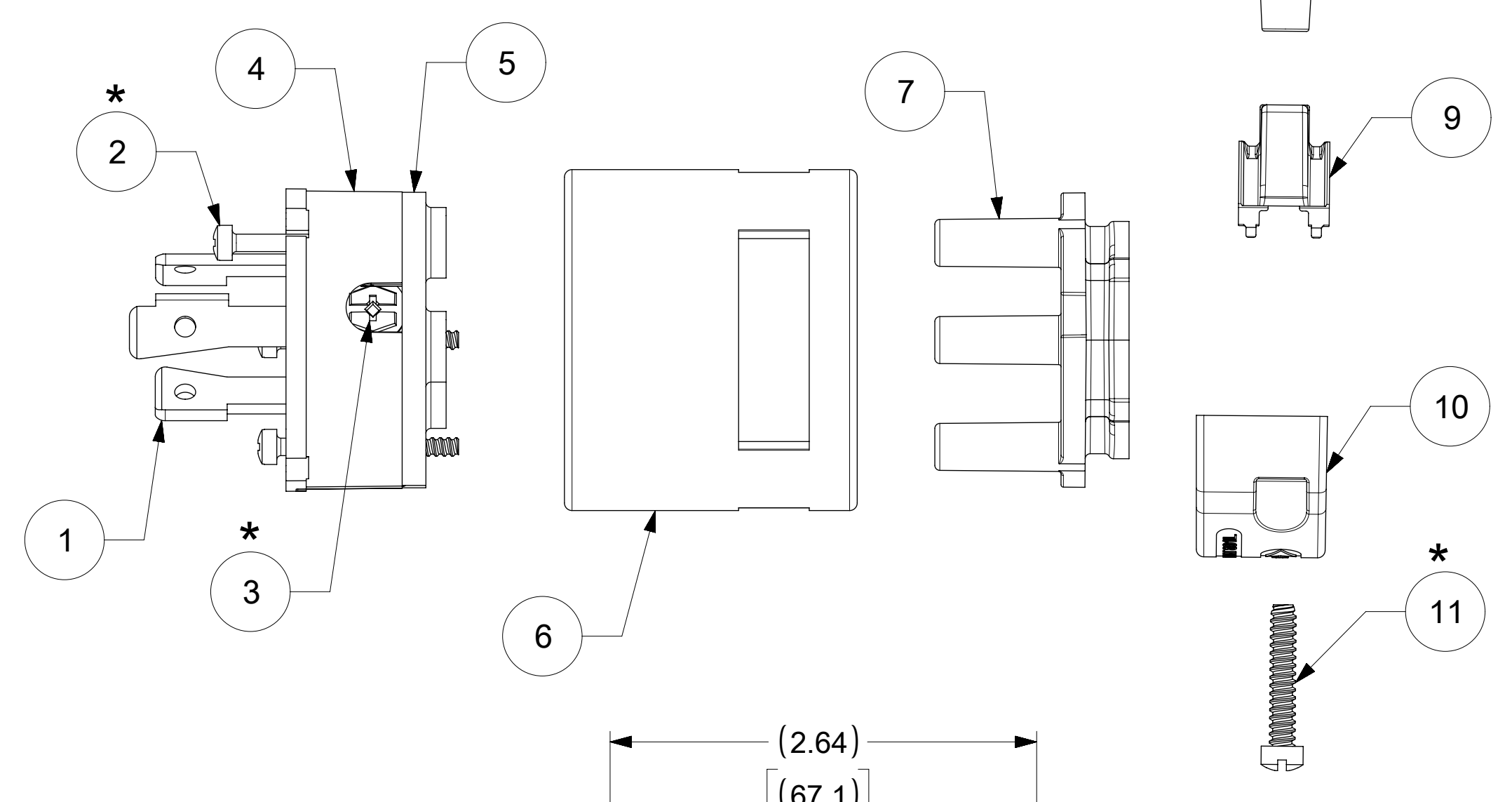
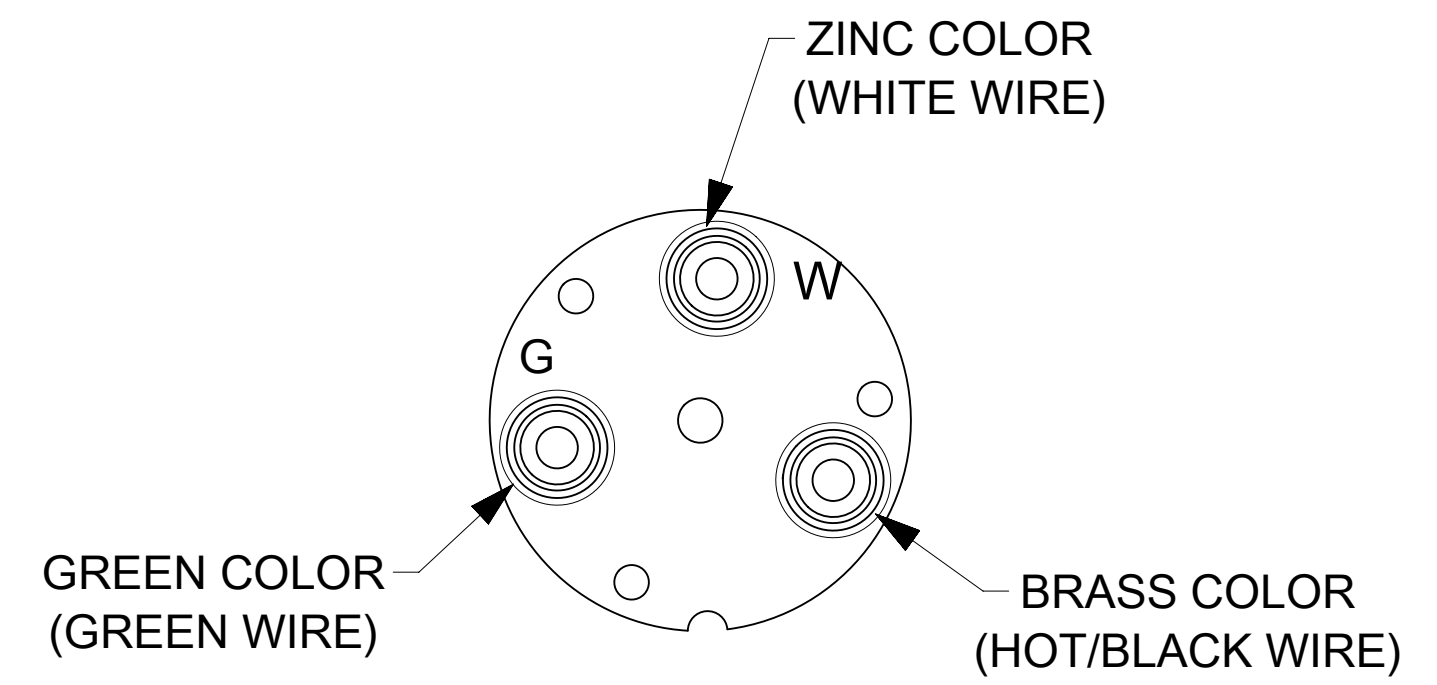
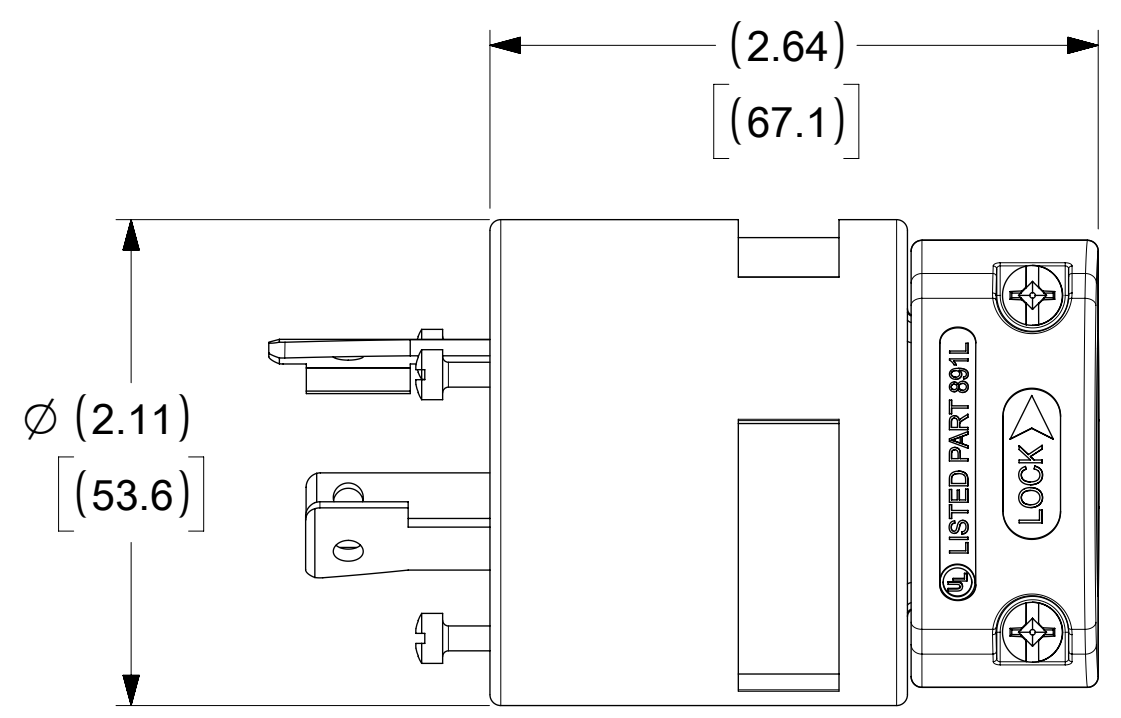
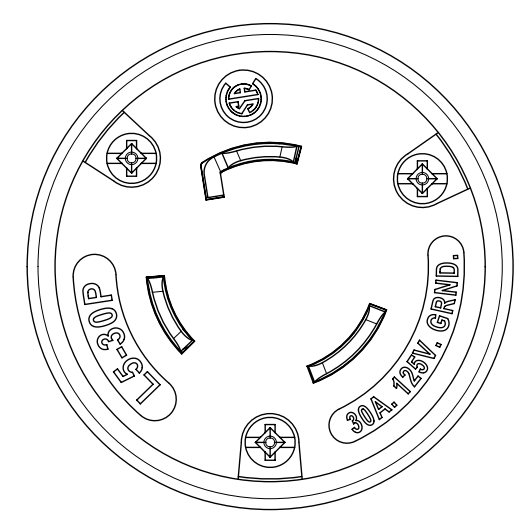


ORDER NO.	WOODHEAD NO.	COLOR
130142-0033	2847	YELLOW



WIRING TERMINATION



* FOR SCREW TORQUE, SEE ASSEMBLY INSTRUCTIONS

ITEM NO.	DESCRIPTION	MATERIAL	QTY.
1	BLADES	BRASS, NICKEL PLATED	3
2	RETAINING SCREWS	STAINLESS STEEL	3
3	TERMINAL SCREWS/CLAMP ASSEMBLY	BRASS, ZINC PLATED	3
4	INSERT; YELLOW	NYLON	1
5	TERMINAL COVER	POLYCARBONATE	1
6	MALE RUBBER HUSK	NYLON	1
7	CLAMP SUPPORT, YELLOW	NYLON	1
8	CLAMP CHORD MALE, YELLOW	NYLON	1
9	CLAMP CHORD INSERT, WHITE	NYLON	1
10	CLAMP CORD FEMALE, YELLOW	NYLON	1
11	RETAINING SCREWS	STAINLESS STEEL	2

SYMBOLS		THIS DRAWING CONTAINS INFORMATION THAT IS PROPRIETARY TO MOLEX ELECTRONIC TECHNOLOGIES, LLC AND SHOULD NOT BE USED WITHOUT WRITTEN PERMISSION	
▽ = 0	INCH[MM]	SCALE	CURRENT REV DESC: NEW RELEASE
▽ = 0	NTS		
▽ = 0	GENERAL TOLERANCES (UNLESS SPECIFIED)		
▽ = 0		MM	INCH
▽ = 0	4 PLACES	±	±
▽ = 0	3 PLACES	±	±
▽ = 0	2 PLACES	±	±
▽ = 0	1 PLACE	±	±
▽ = 0	0 PLACES	±	±
▽ = 0	ANGULAR TOL	± °	
▽ = 0	DRAFT WHERE APPLICABLE MUST REMAIN WITHIN DIMENSIONS		THIRD ANGLE PROJECTION
▽ = 0		DRAWING	SERIES
		C-SIZE	130142
		EC NO: 628447	DRWN: ABENJAMINLW 2019/03/29
		CHK'D: DNGUYEN62	2020/01/14
		APPR: HKNEELAND	2020/04/11
		INITIAL REVISION:	
		DRWN: DRWN BY	XXXX/XX/XX
		APPR: APPR BY	XXXX/XX/XX
		MATERIAL NUMBER	CUSTOMER
		SEE TABLE	GENERAL MARKET
		DOCUMENT NUMBER	DOC TYPE DOC PART REVISION
		1301420033	PSD 000 A
		SHEET NUMBER	1 OF 1