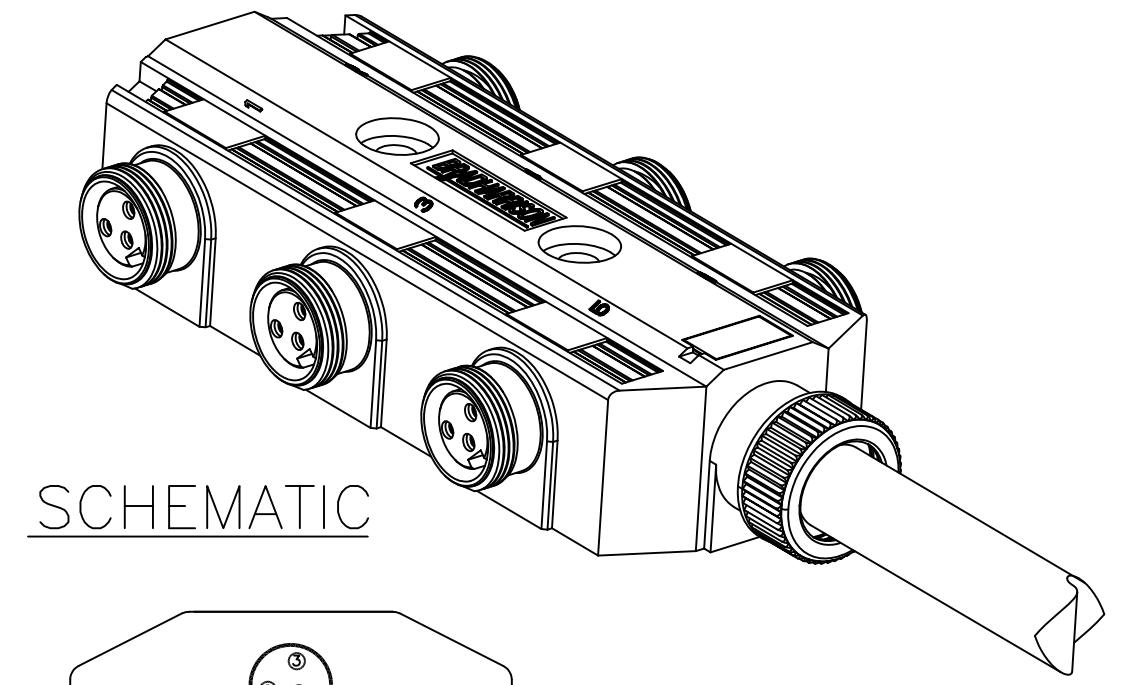
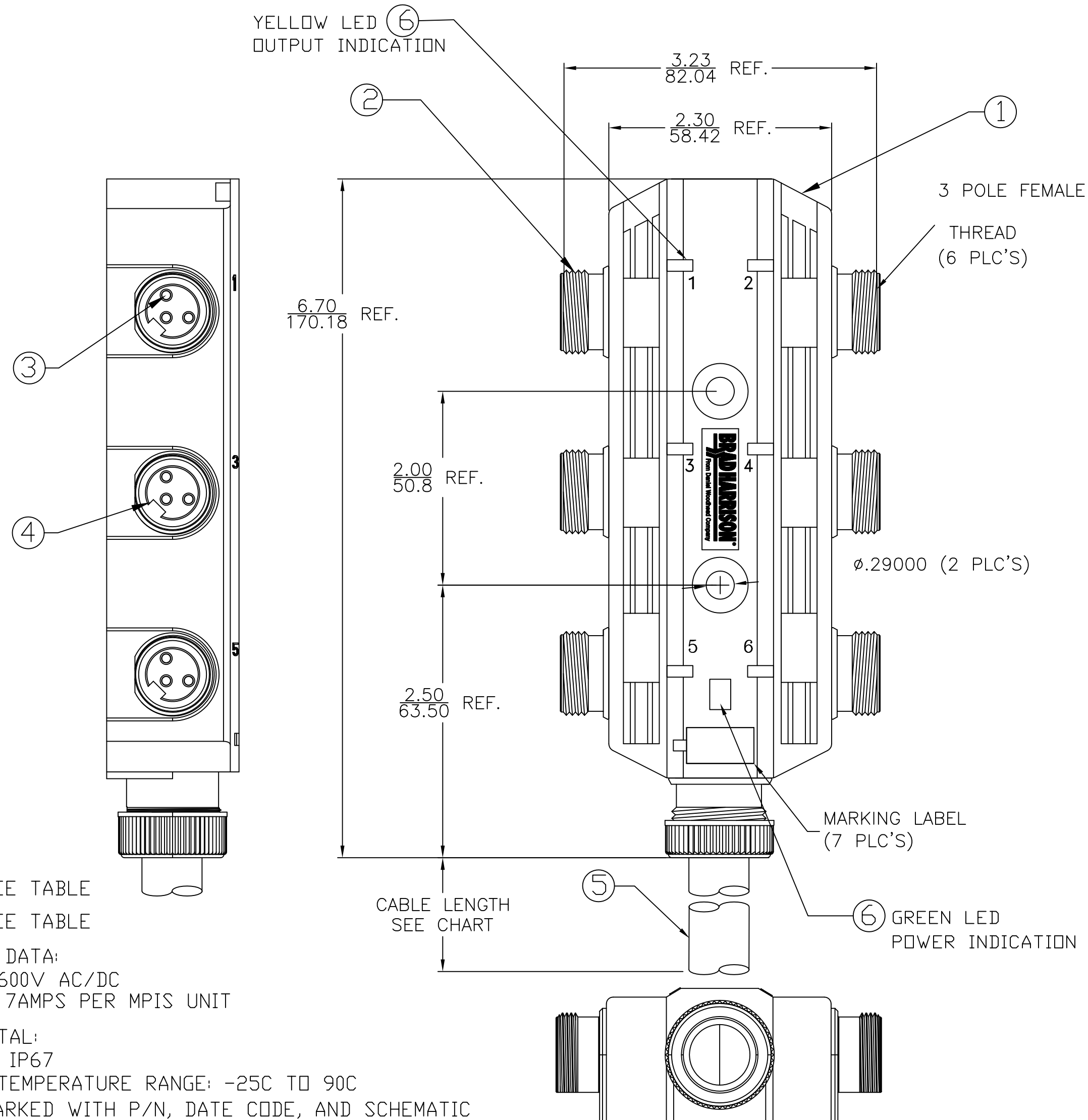
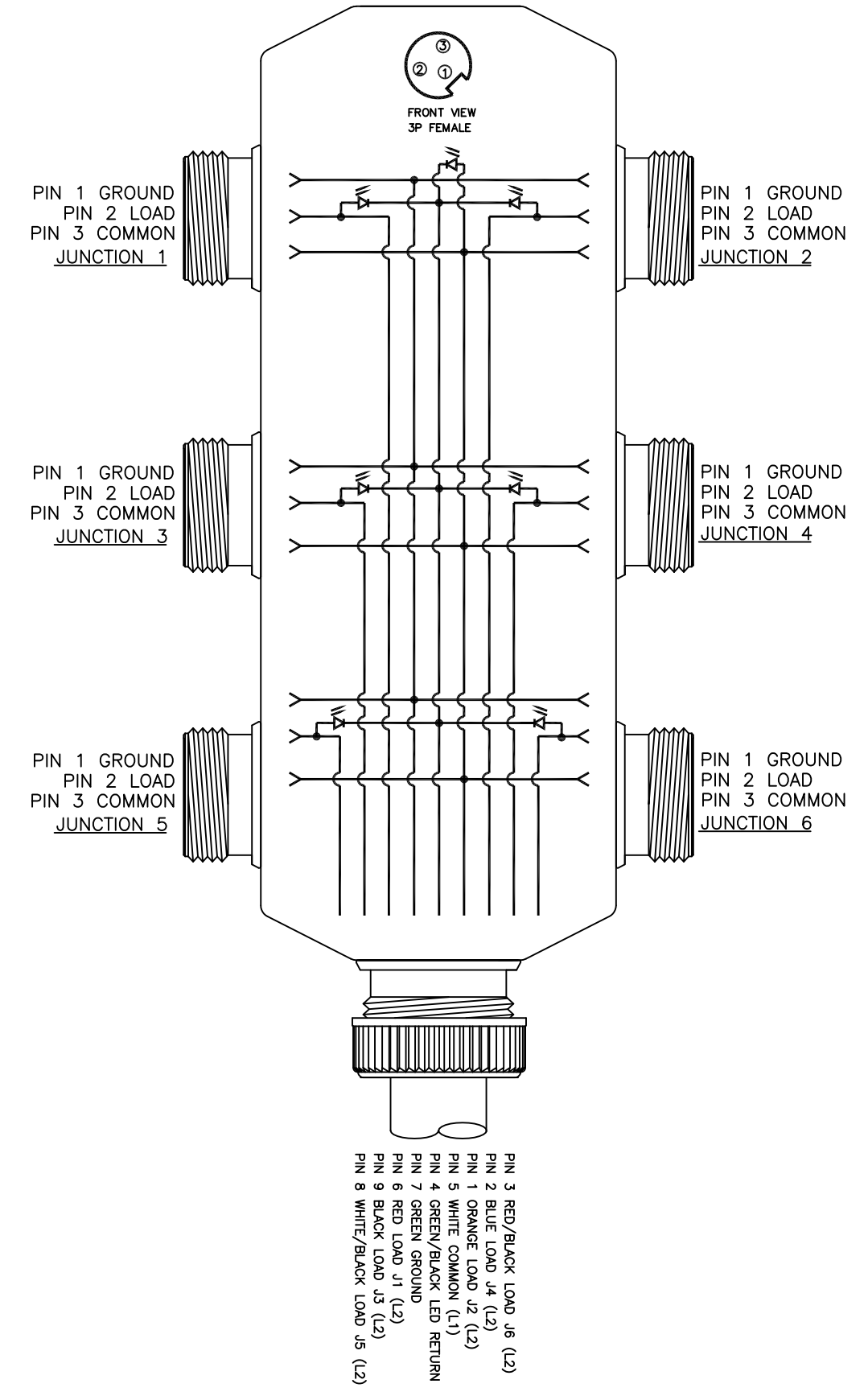


13	12	11	10	9	8	7	6	5	4	3	2	1
MATERIAL NUMBER	ENGINEERING NUMBER	CABLE LENGTH										
1300600025	410P601-20	20.0' +6.50" -0 [6.10M +165.1 -0]										

DIMENSIONAL



SCHEMATIC



- NOTES:
- 1) MATERIAL: SEE TABLE
 - 2) FINISHES: SEE TABLE
 - 3) ELECTRICAL DATA:
VOLTAGE: 600V AC/DC
AMPERAGE: 7AMPS PER MPIS UNIT
 - 4) ENVIRONMENTAL:
PROTECTION IP67
OPERATING TEMPERATURE RANGE: -25C TO 90C
 - 5) LABEL IS MARKED WITH P/N, DATE CODE, AND SCHEMATIC
 - 6) CERTIFICATION:
UL: UL RECOGNIZED
CSA: CSA CERTIFIED

6	7	LENS	POLYCARBONATE	CLEAR
5	1	CABLE	PVC JACKET	YELLOW
4	6	INSERT	PVC	YELLOW
3	18	SOCKET CONTACT	COPPER ALLOY	GOLD PLATED
2	6	RECEPTACLE SHELL	E-COATED ZINC ALLOY	BLACK
1	1	HOUSING	PBT	YELLOW
ITEM	QTY.	DESCRIPTION	MATERIAL	FINISH

RELEASE	EC NO: WNA2010-0456	DESCRIPTION
	DRWN: TWOLDEGE 2010/01/25	
A	CH'KD: BWOODMAN	REV
	APPR: JFMURPHY 2010/01/29	

QUALITY SYMBOL	GENERAL TOLERANCES (UNLESS SPECIFIED)
▽=0	4 PLACES ±---
▽C=0	3 PLACES ±---
	2 PLACES ±0.13
	1 PLACE ±0.25
	ANGULAR ±1/2°
	DRAFT WHERE APPLICABLE MUST REMAIN WITHIN DIMENSIONS

DIMENSION STYLE	SCALE	DESIGN UNITS	THIRD ANGLE PROJECTION
----	1:1	INCH	☉
DRAWN BY	DATE	TITLE	
----	----	6PORT S. MOUNT MPIS LED 6PORT 3-POLE FEMALE W/ MOLDED HOME RUN CONN.	
CHECKED BY	DATE		
BWOODMAN	----		
APPROVED BY	DATE		
JFMURPHY	2010/01/29		
MATERIAL NO.	DOCUMENT NO.		SHEET NO.
SEE CHART	SD-130060-009		1 OF 1
SIZE	THIS DRAWING CONTAINS INFORMATION THAT IS PROPRIETARY TO MOLEX INCORPORATED AND SHOULD NOT BE USED WITHOUT WRITTEN PERMISSION		
C			