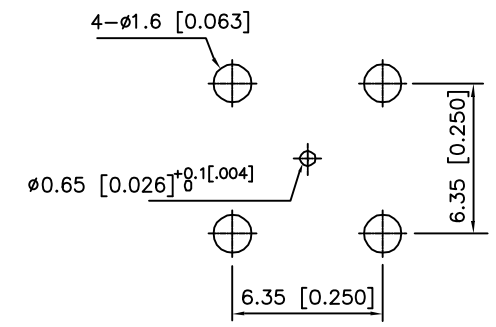
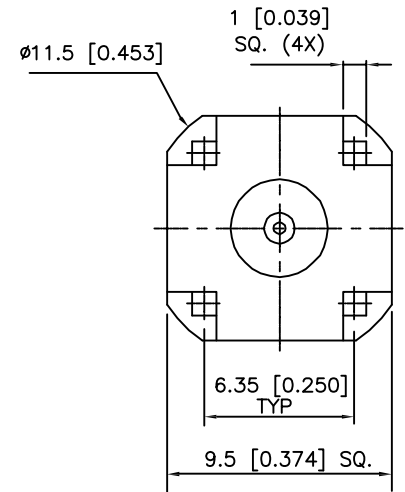
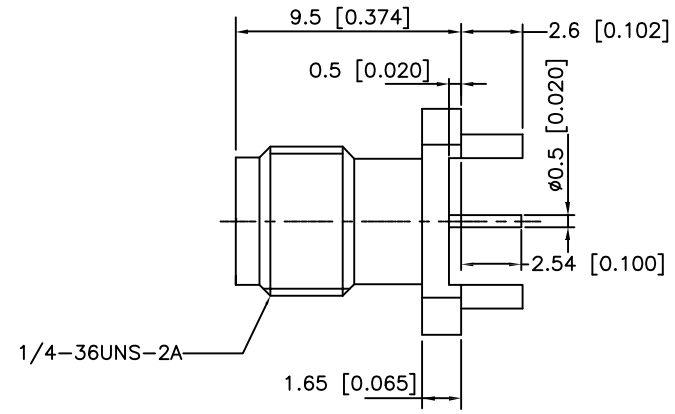
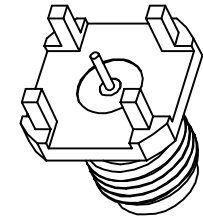


REV.	DATE	DESCRIPTION
A	07/08/09	RELEASE TO MFG.



PCB MOUNTING HOLES

The connector interface meets MIL-STD-348

**ELECTRICAL CHARACTERISTICS:**

- Characteristic impedance : 50Ω
- Working voltage : 335V
- Frequency range : DC-6.0GHz
- Dielectric withstanding voltage : 1000V
- Contact resistance : Center contact : ≤3mΩ  
Outer contact : ≤2mΩ

- Insulation resistance : ≥5000MΩ
- High temp. Process Statement:  
230°C for 30 to 60 seconds and 230°C for 10 seconds
- This component and ITS homogeneous subcomponents are RoHS compliant.

				<small>UNLESS OTHERWISE SPECIFIED DIMENSIONS ARE IN MILLIMETERS. DIMENSIONS IN [ ] ARE IN INCHES AND FOR CUSTOMER REFERENCE ONLY.</small>  <small>UNLESS OTHERWISE SPECIFIED TOLERANCES FOR MILLIMETERS ARE:</small> 0.5 - 8mm ± 0.20mm 8 - 30mm ± 0.40mm 30 - 120mm ± 0.50mm  <small>UNLESS OTHERWISE SPECIFIED TOLERANCES FOR INCHES ARE:</small> .020 - .315 = ± 0.007" .315 - 1.180 = ± 0.015" 1.180 - 4.724 = ± 0.020"	APPROVALS	DATE	<h1>Amphenol Connex</h1>				
					DRAWN	CLEMENT				07/08/09	
				CHECKED			PART DESCRIPTION  <b>SMA PCB RECEPTACLE, 0.250 IN SQ FOOTPRINT</b>				
				ISSUED							
				SHEET	1 OF 1		PART NO.  <b>132401</b>				
				CAD FILE	C:\132\132401.DWG						
NO	DESCRIPTION	MATERIAL	FINISH	QTY	DO NOT SCALE DRAWING		DWG. NO.	132401.DWG	REV. A	SIZE A	SCALE NA