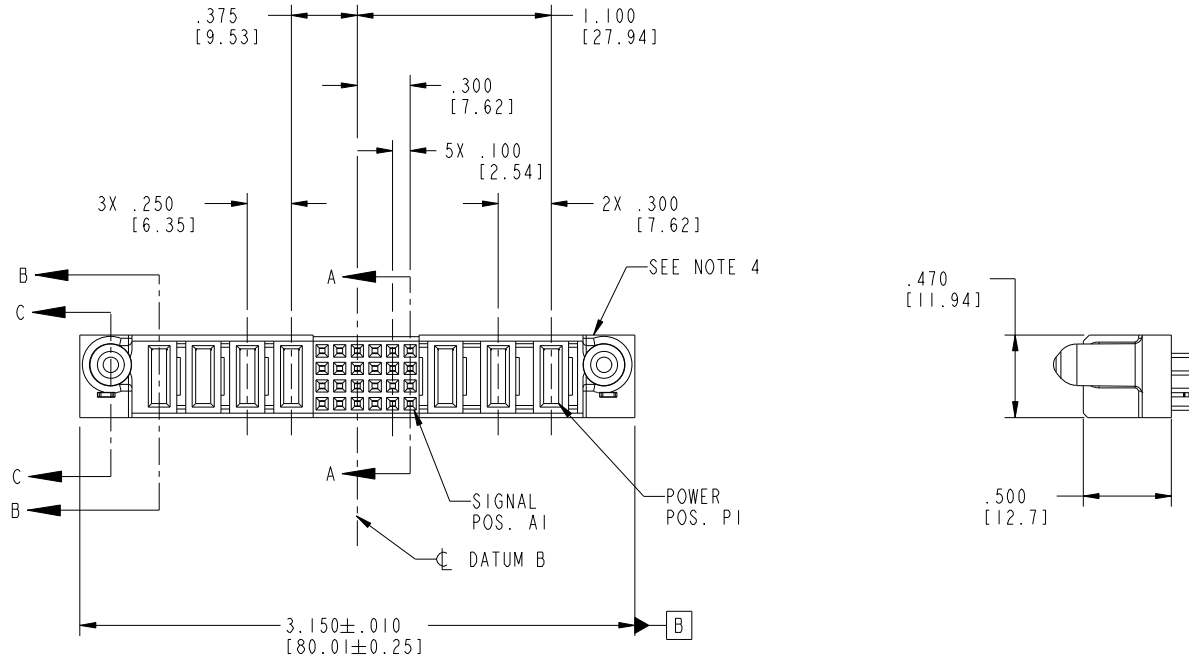


Tous droits strictement réservés. Reproduction ou communication à des tiers interdite sous quelque forme que ce soit sans autorisation écrite du propriétaire. Propriété de c FCI. Droits de reproduction FCI.



All rights strictly reserved. Reproduction or issue to third parties in any form whatever is not permitted without written authority from the proprietor. Property of FCI. Copyright FCI.

PRODUCT NO.	ROWS	POWER				SIGNAL				POWER			E1		
		E2	P7	P6	P5	P4	6	5	4	3	2	1		P3	P2
51940-016-- NOTE: 3	D C B A														



CODE	DIM "M" MATING LENGTH	CONTACT TYPE
E	N/A [N/A]	SIGNAL
PA	.042 [1.07]	POWER
PD	.092 [2.34]	POWER
HA	N/A [N/A]	HOLD-DOWN

mat'l code				SEE NOTE 2		tolerances unless otherwise specified		CUSTOMER		www.fciconnect.com	
ltr	ecn no.	dr	date	linear	.XX±.01/0.X±0.3	projection	1	COPY		title	
A	V21336	CGD	08/15/02		.XXX±.005/0.XX±0.13			3ACP + 24S + 4P		VERTICAL SOLDER RECEPT	
B	V21528	TAB	09/24/02	angles	.XXX±.0020/0.XXX±0.051			product family		PwrBlade	code
C	V21866	CGD	12/10/02		0°±2°	INCH/MM		size		dwg no	213
D	DG08-0040	SH	02/18/08	dr	C. DAILY	scale	1:1	A		51940-016	sheet
				enr	M. MOSTOLLER						1 of 4
				chr	M. MOSTOLLER						
				appd	M. MOSTOLLER						
sheet index	revision sheet	D	D	D	D						
		1	2	3	4						

cage code 22526

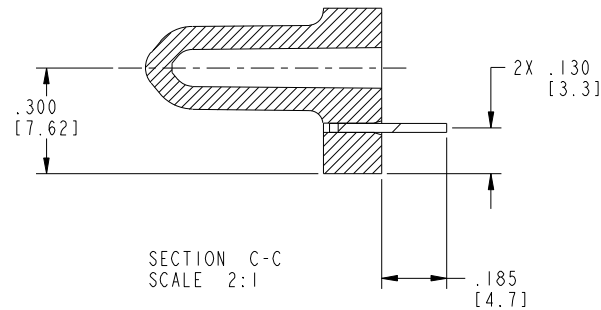
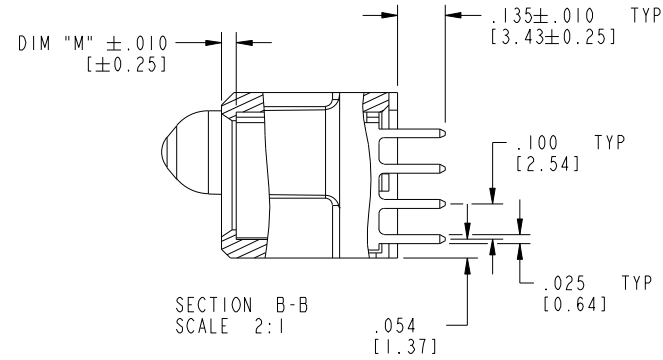
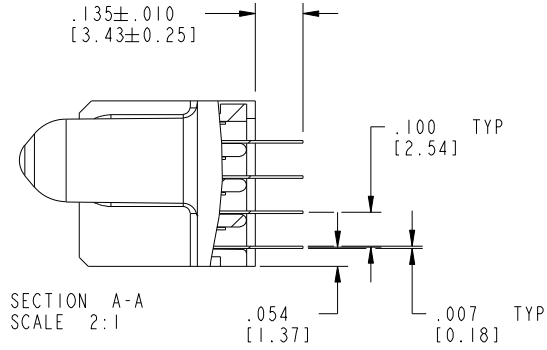
Pro/E

Tous droits strictement reserves. Reproduction ou communication a des tiers interdite sous quelque forme que ce soit sans autorisation ecrite du proprietaire. Propriete de c FCI. Droits de reproduction FCI.



All rights strictly reserved. Reproduction or issue to third parties in any form whatever is not permitted without written authority from the proprietor. Property of FCI. Copyright FCI.

PRODUCT NUMBER
51940-016--
NOTE: 3



mat'l code		SEE NOTE 2		tolerances unless otherwise specified		CUSTOMER		 www.fciconnect.com	
ltr	ecn no.	dr	date	linear	.XX±.01/0.X±0.3	COPY		title	
D				projection	.XXX±.005/0.XX±0.13			3ACP + 24S + 4P VERTICAL SOLDER RECEPT	
				angles	.XXX±.0020/0.XXX±0.051			product family	
				dr	0°±2°	INCH/MM		PwrBlade	
				enrg	C. DAILY 08/15/02	scale		code	
				chr	M. MOSTOLLER 08/15/02	1:1		213	
				appd	M. MOSTOLLER 08/15/02	A		sheet	
sheet index		revision sheet				size		2 of 4	
						A		51940-016	

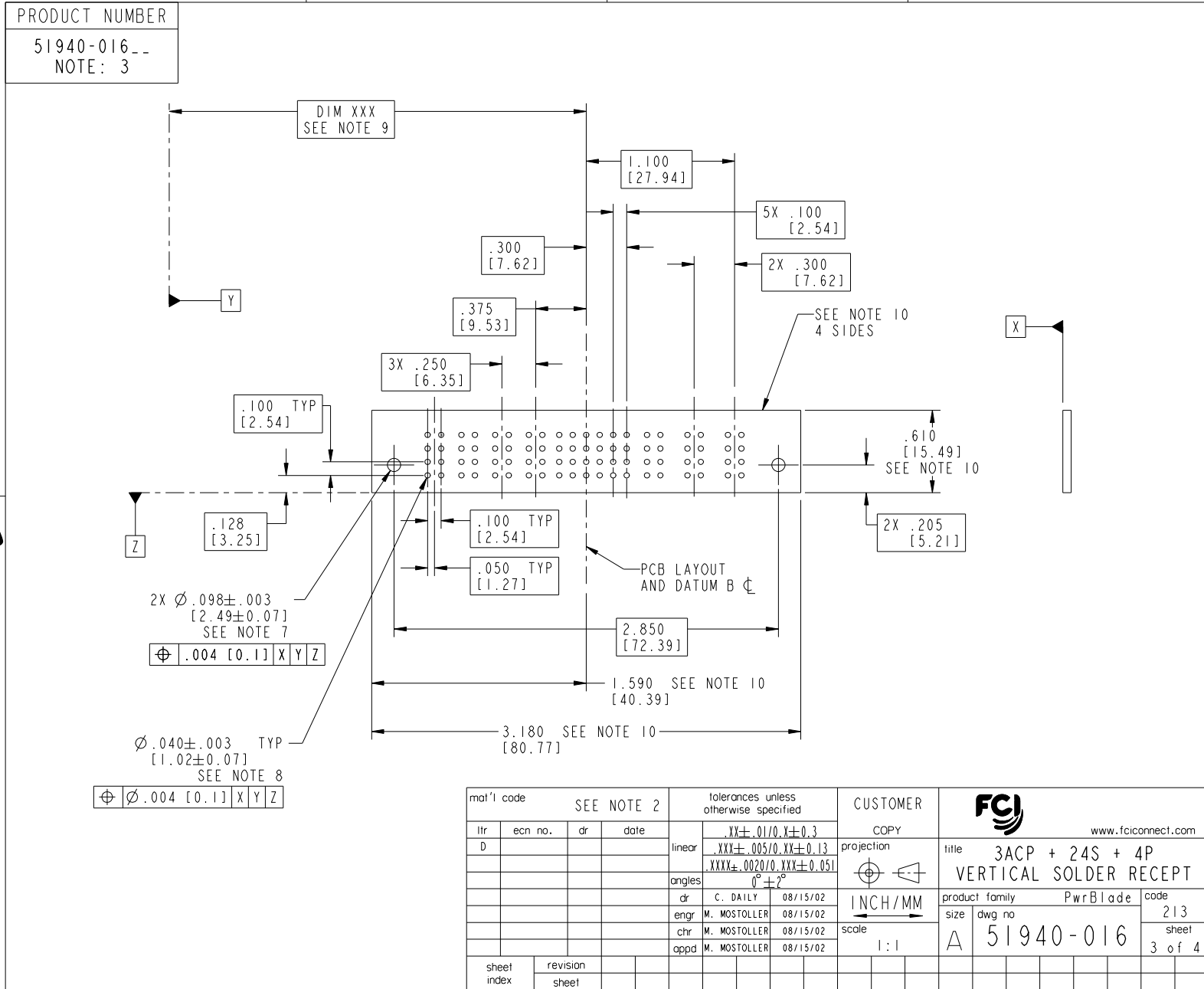
cage code 22526

Pro/E

Tous droits strictement réservés. Reproduction ou communication à des tiers interdite sous quelque forme que ce soit sans autorisation écrite du propriétaire. Propriété de c.FCI. Droits de reproduction FCI.



All rights strictly reserved. Reproduction or issue to third parties in any form whatever is not permitted without written authority from the proprietor. Property of FCI. Copyright FCI.



mat'l code		SEE NOTE 2		tolerances unless otherwise specified		CUSTOMER		 www.fciconnect.com	
litr	ecn no.	dr	date	linear	.XX±.01/0.X±0.3	COPY		title	
D				angles	.XXX±.005/0.XX±0.13	projection		3ACP + 24S + 4P	
				chr	.XXX±.0020/0.XXX±0.051	 INCH/MM		VERTICAL SOLDER RECEPT	
				appr	0°±2°	scale		product family	
					C. DAILY 08/15/02	1:1		PwrBlade	
					M. MOSTOLLER 08/15/02			code	
					M. MOSTOLLER 08/15/02			213	
					M. MOSTOLLER 08/15/02			size	
								dwg no	
								A	
								51940-016	
								sheet	
								3 of 4	
sheet index	revision sheet								

cage code 22526

Pro/E

Tous droits strictement reserves. Reproduction ou communication a des tiers interdite sous quelque forme que ce soit sans autorisation écrite du propriétaire. Propriete de c FCI. Droits de reproduction FCI.



All rights strictly reserved. Reproduction or issue to third parties in any form whatever is not permitted without written authority from the proprietor. Property of FCI. Copyright FCI.

PRODUCT NUMBER
51940-016--
NOTE: 3

NOTES:

1. DIMENSIONS AND TOLERANCES ARE IN ACCORDANCE WITH ASME Y14.5M, 1994 UNLESS OTHERWISE SPECIFIED.

CONNECTOR NOTES:

- 2 HOUSING MATERIAL: UL 94 V-0 GLASS FILLED
HIGH-TEMP THERMOPLASTIC
POWER CONTACT MATERIAL: COPPER ALLOY
SIGNAL PIN MATERIAL: COPPER ALLOY
- 3. PLATING:
 51940-016, 51940-016LF, PLATING SPEC. SEE PRINT: 10064183
- 4 MANUFACTURER'S NAME, P/N, AND DATE CODE TO APPEAR ON THIS SURFACE.
- 5. PRODUCT SPECIFICATION GS-12-149.
APPLICATION SPECIFICATION BUS-20-067.

PCB NOTES:

- 6. ALL HOLE DIAMETERS ARE FINISHED HOLE SIZE.
- 7. MOUNTING HOLES, WHERE APPLICABLE, ARE UNPLATED.
- 8 $\varnothing .0453 \pm .0010$ [1.151 ± 0.025] DRILLED HOLES PLATED WITH .0003 [0.008] MIN SnPb OVER .001 [0.03] TO .003 [0.08] Cu PLATING TO ACHIEVE $\varnothing .040 \pm .003$ [1.02 ± .07] HOLE.
- 9 "DIM XXX" TO BE DETERMINED BY THE CUSTOMER.
- 10 CONNECTOR KEEP-OUT ZONE.
- 11. A SYMBOL WILL BE NEXT TO ANY DIMENSION, VIEW, OR NOTE WHICH HAS BEEN MODIFIED WITH CURRENT DRAWING REVISION.

mat'l code		SEE NOTE 2		tolerances unless otherwise specified		CUSTOMER				www.fciconnect.com	
ltr	ecn no.	dr	date	linear	.XX±.01/0.X±0.3	COPY		title			
D					.XXX±.005/0.XX±0.13	projection		3ACP + 24S + 4P			
				angles	.XXX±.0020/0.XXX±0.051			VERTICAL SOLDER RECEPT			
				dr	0°±2°	INCH/MM		product family		PwrBlade	code
				enrg	C. DAILY 08/15/02	scale		size		dwg no	213
				chr	M. MOSTOLLER 08/15/02	1:1		A		51940-016	sheet
				appd	M. MOSTOLLER 08/15/02						4 of 4
sheet index	revision sheet										

cage code 22526

Pro/E